

PACLINE™

OVERHEAD CONVEYORS

ISO 9001



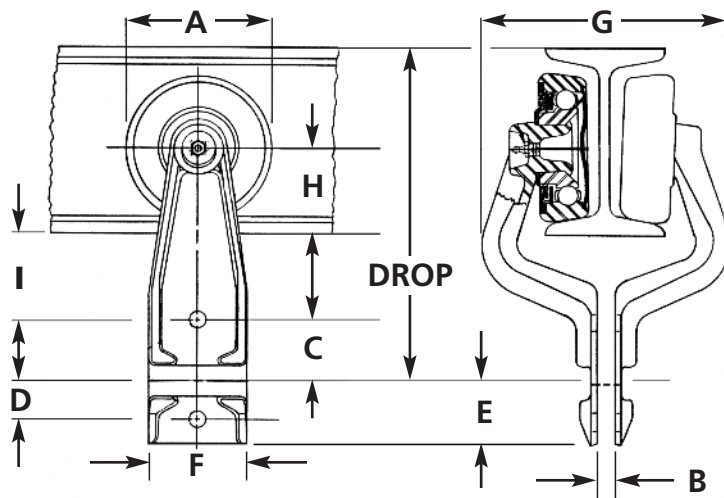
PAC-BEAM™

I-Beam Trolley Conveyor

Rugged Construction • High Capacity • Durable
Simple and Proven • Inexpensive Solution

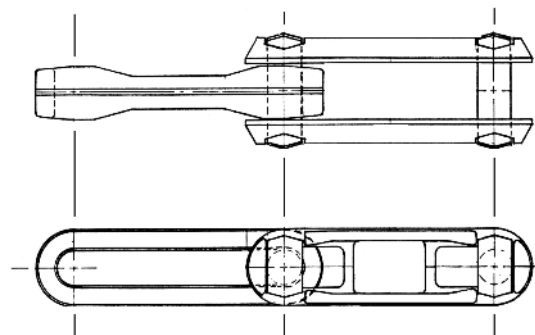
PAC-BEAM[™] Specifications

| Trolley Size | 6" | 4" | | 3" | |
|-------------------------|-------------|------------|----------|------------|---------|
| Drop | 10" | 8" | 7 3/16" | 5 1/2" | |
| Single Trolley Capacity | 1200 lbs | 400 lbs | | 200 lbs | |
| Capacity with Load Bar | 2400 lbs | 800 lbs | | 400 lbs | |
| Trolley Set Wt. | 19.3 lbs | 6.5 lbs | | 3.1 lbs | |
| Chain Size | X-678 | X-458 | | X-348 | |
| I-Beam Size #/ft | 6" I @ 12.5 | 4" I @ 7.7 | | 3" I @ 5.7 | |
| Trolley Dimensions | A | 4 13/16" | 3 3/16" | 3 3/16" | 2 5/16" |
| | B | 1/2" | 3/8" | 3/8" | 1/4" |
| | C | 1 5/8" | 1 5/16" | 1 5/16" | 1" |
| | D | 1 1/8" | 13/16" | 13/16" | 7/8" |
| | E | 1 11/16" | 1 1/4" | 1 1/4" | 1 1/4" |
| | F | 3 3/8" | 2 1/8" | 2 1/8" | 1 9/16" |
| | G | 6 3/8" | 5 3/8" | 5 3/8" | 4 1/16" |
| | H | 2 11/16" | 1 7/8" | 1 7/8" | 1 7/16" |
| | I | 2 3/8" | 2 11/16" | 1 7/8" | 1 1/2" |



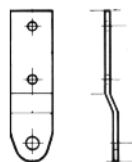
| Chain Size | 6" | 4" | 3" | |
|--------------------------|-------------|----------|----------|--------|
| Part Number | X-678 | X-458 | X-348 | |
| Ultimate Strength (lbs) | 85,000 | 48,000 | 24,000 | |
| Weight per Foot (lbs) | 6.7 | 3.2 | 2.2 | |
| Chain Pull | Maximum | 6,500 | 3,500 | 2,000 |
| Cap (lbs) | Recommended | 4,500 | 2,500 | 1,500 |
| Vertical Curve | 12" | 10 ft. | 8 ft. | 5 ft. |
| Minimum Radius (ft) | 16" | | 8 ft. | 6 ft. |
| Trolley Spacing (inches) | 18" | | 10 ft. | 10 ft. |
| Horizontal Turns | 30" | | 12 ft. | |
| Minimum Radius | 32" | | 20 ft. | |
| Roller Lt. C.P. | 36" Rad. | 18" Rad. | 18" Rad. | |
| Roller Max. C.P. | 48" Rad. | 24" Rad. | 18" Rad. | |
| Wheel Lt. C.P. | 36" Dia. | 24" Dia. | 24" Dia. | |
| Wheel Max. C.P. | 48" Dia. | 36" Dia. | 24" Dia. | |

X-Type Rivetless (6", 4", 3")

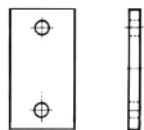


TROLLEY ATTACHMENTS

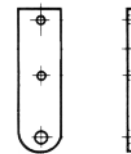
"H" Attachment



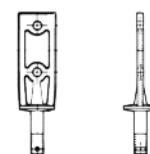
"I" Attachment



"C" Attachment



"B" Attachment



Distributed by: **B & C**
INDUSTRIAL
PRODUCTS, INC.

1120 Fuller Drive
Garrett, Indiana
PH: (888) 276-3386
FAX: (260) 357-0889
EMAIL: sales@bandcip.com

PACLIN[™]
OVERHEAD CONVEYORS
WWW.PACLIN.COM