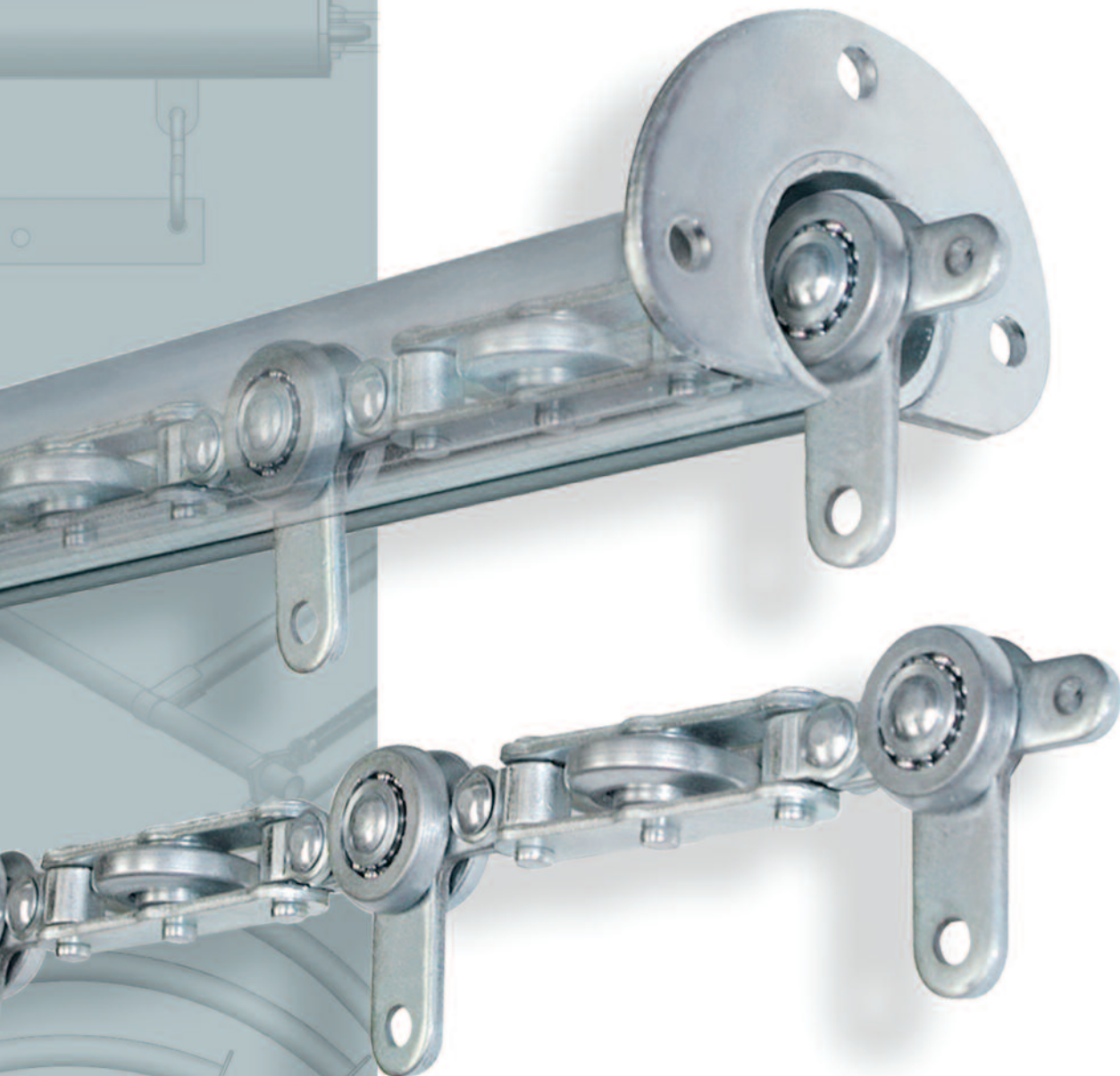


PACLINE™

OVERHEAD CONVEYORS

ISO 9001

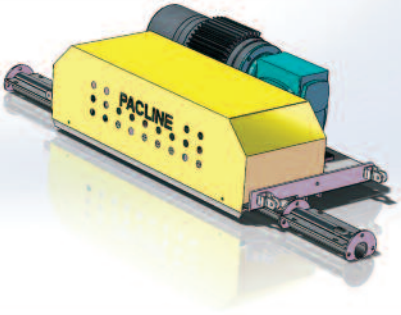


PACLINE™
OVERHEAD CONVEYORS
WWW.PACLINE.COM

Signature Overhead System
The **PAC-LINE™**

Enclosed Track Overhead Conveyor

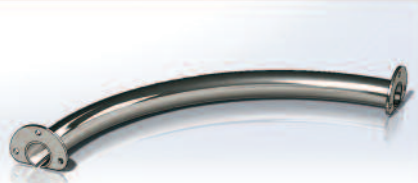
Compact • Medium Capacity • Zinc Plated
Modular Components • Bolted Assembly



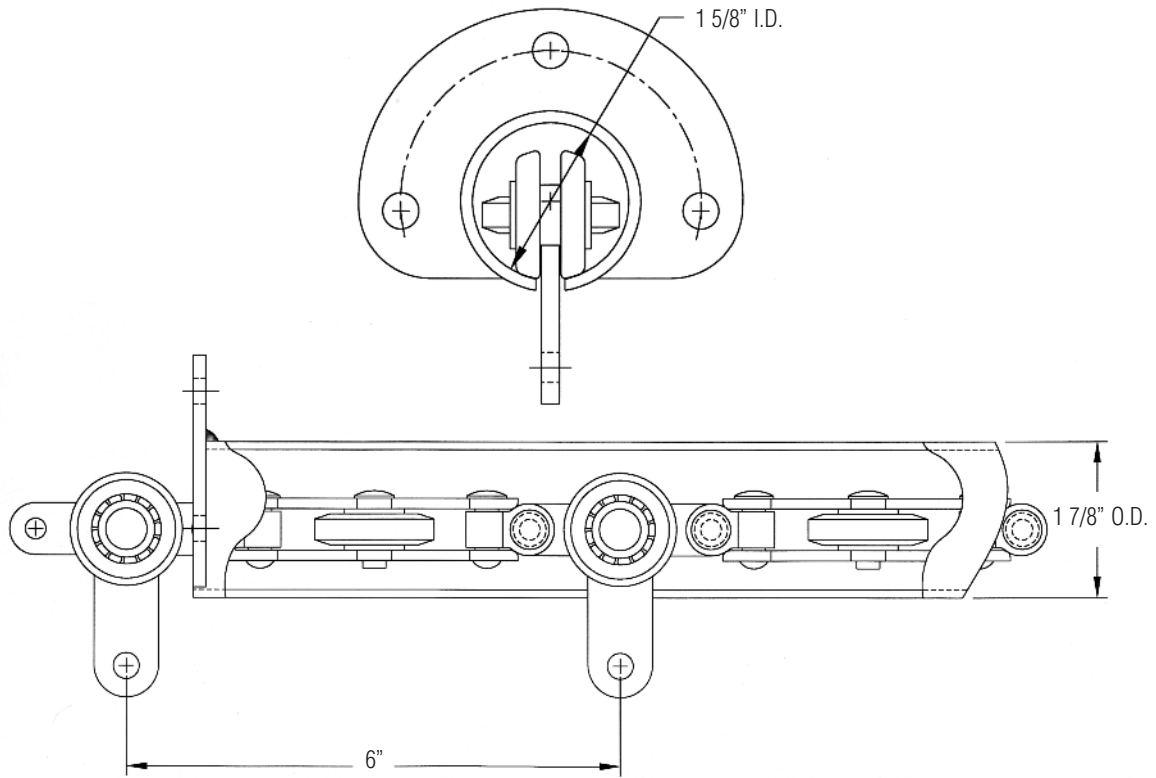
PAC-LINE Drive



PAC-LINE Take-Up



PAC-LINE Curve



	PAC-LINE™
Maximum Load Per Pendant	50 lbs.
Maximum Drive Pull	600 lbs.
Chain Breaking Load	3,700 lbs.
Nominal Chain Length Per Drive	600 ft.
Minimum Chain Friction Co-efficient	2.5%
Chain Pendant Pitch	6 inches
Standard Horizontal Curve Radius	24 inches*
Standard Vertical Curve Radius	24 inches
Maximum Drive Speed	60 F.P.M.
Maximum Incline Angle	90 degrees

* 9", 12" and 18" radius curves available with engineering approval



Distributed by: **B & C**
INDUSTRIAL
PRODUCTS, INC.

1120 Fuller Drive
Garrett, Indiana 46738
PH: 1-888-276-3386
FAX: 1-260-357-0889
EMAIL: Sales@bandcip.com

PACLINE™
OVERHEAD CONVEYORS
WWW.PACLINE.COM