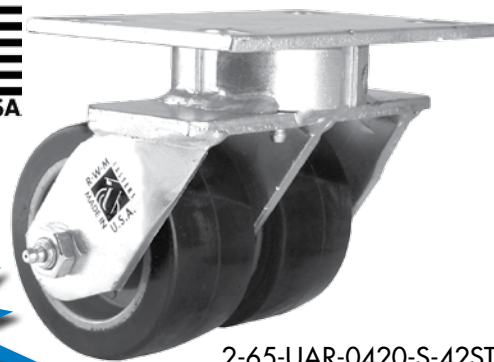


2-65 Series Casters

RWM's 2-65 Series Kingpinless™ Dual Wheel Casters feature all of the benefits of our patented Kingpinless™ raceway and twice the capacity load. Our 2-65 Series Casters are proudly made in the USA!



2-65-UAR-0420-S-42ST

Features

Raceway Design: Patented Kingpinless™ single ball bearing precision machined raceway hardened to 53 Rockwell C minimum. Swivel section features a 2-3/8" diameter raceway with 3/8" ball bearings. The notched yoke is standard. All swivel sections are supplied with a lubrication fitting for field maintenance.

Axle: 1/2" diameter with lubrication fitting and lock nut

Finish: Zinc plated to protect from corrosion

Wheels: All wheels are 1-1/2" wide with a 3/4" I.D. roller bearing which rotates on a single 3/4" O.D. spanner bushing for ease of rollability. All bearings are pre-lubricated.

Mounting Plate Size: 4" x 4-1/2" x 1/4"

Bolt Hole Spacing: 2-5/8" x 3-5/8" slotted to 3" x 3"

Mounting Bolt Diameter: 3/8"

Leg Thickness: 1/4" formed steel

Capacity: 2000 lbs.

View
CAD Models
On Our
Website!

Options

- CWB** Cam Wheel Brake
- DSL** Demountable Swivel Lock
- HT** High Temperature Lubrication
- HTP** High Temperature Paint
- LT** Low Temperature Lubrication
- SL** Swivel Lock
- SR** Sealed Swivel Raceway
- TG** Thread Guard

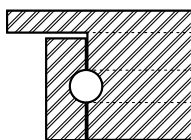
Applications

Dual wheel casters offer high weight capacities with minimal overall heights, better load distribution, floor protection and mobility than single wheel casters. This is a result of spreading the weight over a wider floor area while offering wheel differential action, resulting in less friction between the wheels and the floor, requiring less effort for the caster to swivel. Dual wheel casters are ideal for tow lines, shock load applications and abusive conditions, production line dollies & trucks used in various industries.

The Majority of Competitor's Raceways

The inline positioning of the competition's raceway (as opposed to the offset positioning utilized by RWM) creates a direct "hammering" effect via the ball bearings which are centered on the tangent of the two raceways, thus savaging and eventually eroding the raceway. The inevitable result is a loose fit and progressive swivel failure. Even a double raceway configuration is subject to these same "hammering" hazards. The machining requirements of the competition to accommodate a swivel lock reduces strength, leading to premature fatigue, stress fractures of the raceway and eventual failure.

Competitor's Raceway



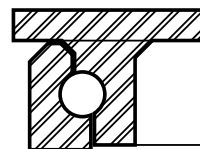
Dual wheel rigid casters utilize a plasma cut top plate with incorporated tabs for various wheel widths depending on the size and model ordered. Top plate dimensions given on this page are a general guideline when these tabs aren't necessary. For specifics on the dimensions of the top plate on your caster, please contact the factory at 1-800-634-7704.

RWM's Patented Offset Raceway - Why It's a Superior Design

Our patented offset precision-machined raceway exerts radial force evenly where there is full contact between the ball bearing and the raceway. RWM's unique design adds more mass at key points. This, plus more thorough heat treatment, provides additional strength and combats brinelling into the core material. The result:

- ◆ No direct "hammering" forces on the intersections of the raceways
- ◆ Vastly reduced raceway wear
- ◆ Elimination of the "pull apart" forces of stress in the swivel section
- ◆ Smoother swiveling action
- ◆ High maneuverability
- ◆ Longer service life
- ◆ Less maintenance
- ◆ Extra impact resistance
- ◆ High radial force absorption

RWM's Raceway



OPTIONAL MOUNTING PLATES

Optional Top Plate Number	Mounting Plate	Bolt Hole Spacing	Bolt Size
41ST 41RT	4" x 5"	2-5/8" x 3-5/8" slotted to 3" x 4"	3/8"
42ST 42RT	4-1/2" x 6-1/2"	2-7/16 x 4-15/16 slotted to 3-3/8" x 5-1/4"	1/2"
43ST 43RT	5" x 5-1/2"	4-1/8" x 4-1/2"	3/8"

To order a rigid caster, change the "S" to "R" in the model number. For example: "2-65-CIR-0415-R". To order rig only, omit the blue letters.

For example: "2-65-0415-S". Dimensions shown are nominal. If precise dimensions are required, consult your B&C representative. For approximate weight of our rigid casters, deduct 5.4 pounds per item.

SPECIFICATIONS

Wheel Diameter	Wheel Width	Wheel Type	lbs.Capacity	Overall Height	Swivel Caster Model Number		Swivel Lead	Approx Weight
					Straight Roller	Ball Bearing		
3-1/2"	1-1/2"	Urethane on Aluminum	840	4-7/8"	2-65- UAR -0315-S		1"	6.8
4"	1-1/2"	Cast Iron	1000	5-3/4"	2-65- CIR -0415-S	2-65- CIB -0415-S	1-1/8"	10.0
		Durastan	1200		2-65- DUR -0415-S	2-65- DUB -0415-S		8.0
		GT	1800			2-65- GTB -0415-S		8.0
		Nylatron HD	2000			2-65- NYB -0415-S		8.3
		Performance TPR	650		2-65- RPR -0415-S	2-65- RPB -0415-S		8.0
		Rubber on Iron	500		2-65- RIR -0415-S			8.0
		Urethane on Aluminum	1200		2-65- UAR -0415-S			7.5
		Urethane on Iron	1200		2-65- UIR -0415-S	2-65- UIB -0415-S		8.0
		Urethane Polypropylene	1000		2-65- UPR -0415-S	2-65- UPB -0415-S		7.5
		Urethane Solid	600		2-65- USR -0415-S			8.0
4"	2"	Cast Iron	1600	5-3/4"	2-65- CIR -0420-S	2-65- CIB -0420-S	1-1/8"	10.8
		Durastan	1600		2-65- DUR -0420-S			8.3
		GT	2000			2-65- GTB -0420-S		8.3
		High Temp Nylon	1600		2-65- HNR -0420-S			8.0
		Performance TPR	700		2-65- RPR -0420-S	2-65- RPB -0420-S		8.0
		Rubber on Aluminum-EHT	1400			2-75- RAB -0420-S-EHT		8.2
		Rubber on Iron	700		2-65- RIR -0420-S			8.3
		Signature Premium	800		2-65- SWR -0420-S	2-65- SWB -0420-S		8.1
		Solid Urethane	1400			2-65- MUB -0420-S		8.3
		Urethane on Aluminum	1400		2-65- UAR -0420-S			8.0
		Urethane on Iron	1400		2-65- UIR -0420-S			8.3
		Urethane on Polypropylene	1200		2-65- UPR -0420-S	2-65- UPB -0420-S		7.8
		5"	1-1/2"		Cast Iron	1200		6-3/4"
Durastan	1300			2-65- DUR -0515-S	2-65- DUB -0515-S	9.0		
GT	2000				2-65- GTB -0515-S	9.0		
Performance TPR	700			2-65- RPR -0515-S	2-65- RPB -0515-S	8.2		
Rubber on Iron	600			2-65- RIR -0515-S		9.0		
Urethane on Aluminum	1440			2-65- UAR -0515-S		8.5		
Urethane on Iron	1440			2-65- UIR -0515-S	2-65- UIB -0515-S	9.0		
Urethane Polypropylene	1400			2-65- UPR -0515-S	2-65- UPB -0515-S	8.0		
Urethane Solid	660			2-65- USR -0515-S		9.0		
5"	2"	Cast Iron	2000	6-3/4"	2-65- CIR -0520-S	2-65- CIB -0520-S	1-1/2"	12.4
		Durastan	2000		2-65- DUR -0520-S			9.3
		GT	2000			2-65- GTB -0520-S		9.3
		High Temp Nylon	2000		2-65- HNR -0520-S			8.8
		Performance TPR	750		2-65- RPR -0520-S	2-65- RPB -0520-S		8.3
		Rubber on Aluminum-EHT	1600			2-75- RAB -0520-S-EHT		9.0
		Signature Premium	1000		2-65- SWR -0520-S	2-65- SWB -0520-S		8.4
		Solid Urethane	2000			2-65- MUB -0520-S		9.2
		Urethane on Aluminum	2000		2-65- UAR -0520-S			8.8
		Urethane on Iron	2000		2-65- UIR -0520-S			9.5
		Urethane on Polypropylene	1500		2-65- UPR -0520-S	2-65- UPB -0520-S		8.5
6"	1-1/2"	Cast Iron	1200	7-3/4"	2-65- CIR -0615-S		1-1/2"	13.0
		Durastan	1600		2-65- DUR -0615-S	2-65- DUB -0615-S		10.0
		GT	2000			2-65- GTB -0615-S		10.0
		Performance TPR	700		2-65- RPR -0615-S	2-65- RPB -0615-S		8.5
		Rubber on Iron	740		2-65- RIR -0615-S			10.0
		Urethane on Iron	1680		2-65- UIR -0615-S	2-65- UIB -0615-S		12.0
		Urethane Polypropylene	1600		2-65- UPR -0615-S	2-65- UPB -0615-S		11.0
6"	2"	Cast Iron	2000	7-3/4"	2-65- CIR -0620-S	2-65- CIB -0620-S	1-1/2"	14.5
		Durastan	2000		2-65- DUR -0620-S			12.0
		GT	2000			2-65- GTB -0620-S		12.0
		High Temp Nylon	2000		2-65- HNR -0620-S			10.2
		Omega	2000		2-65- UOR -0620-S	2-65- UOB -0620-S		14.0
		Performance TPR	1050		2-65- RPR -0620-S	2-65- RPB -0620-S		10.0
		Rubber on Aluminum-EHT	1640			2-75- RAB -0620-S-EHT		11.5
		Signature Premium	1200		2-65- SWR -0620-S	2-65- SWB -0620-S		10.1
		Solid Urethane	2000			2-65- MUB -0620-S		12.0
		Urethane on Iron	2000		2-65- UIR -0620-S	2-65- UIB -0520-S		13.5
		Urethane on Polypropylene	1800		2-65- UPR -0620-S	2-65- UPB -0620-S		11.8

UP TO 2,000 POUND CAPACITY