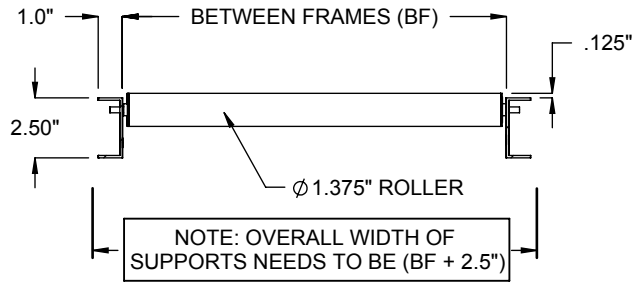
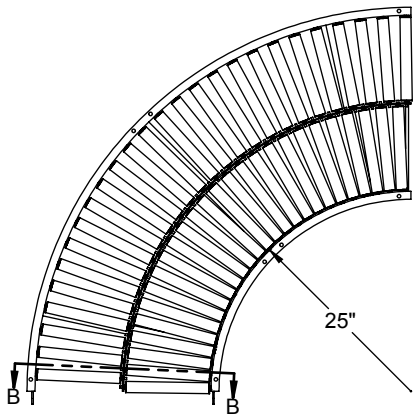
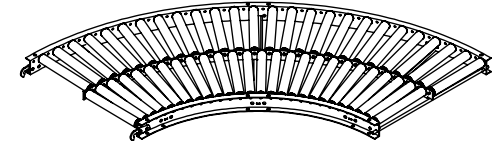
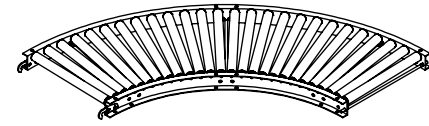


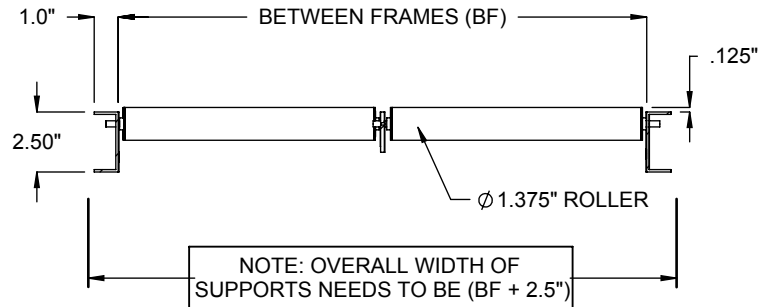
FRAME CONSTRUCTION FOR
10", 13", 16" BF



SECTION A-A



FRAME CONSTRUCTION FOR
22" BF



SECTION B-B

SPECIFICATIONS

BETWEEN FRAMES: 10", 13", 16", 22" **DEGREE:** 90°, 45°, 30°

ROLLERS: 1.375" dia., 18ga wall galvanized tubes with 1/4" round cold rolled steel axles, spring retained. Standard A02 bearings are light oil lubricated. 50 lbs roller capacity.

FRAMES: Standard FC98 set high 2-1/2" x 1" x 12ga formed steel channel with bolted 1-1/8" x 1/8" angle crossties. Optional FC33 set low 3-1/2" x 1" x 12ga.

ROLLER SURFACE: Standard galvanized tube. Optional roll covers includes Orange Polyurethane, 1/8" wall.

COUPLINGS: 3/8" diameter rod on one end, mating hooks on opposite end. Optional coupling is strap, butt coupler, or no coupling.

FRAME FINISH: Standard finish is OSHA safety blue powder. Optional colors include green, beige, gray, orange, black and yellow.