

ISO 9001:2000 Registered



[www.rwmcasters.com](http://www.rwmcasters.com)



PRODUCT & ENGINEERING GUIDE

2012

THE ORIGINATOR AND RECOGNIZED MARKET LEADER OF KINGPINLESS™ CASTERS

1-888-276-3386

# Table of Contents

## Parts & Accessories Technical Information

Wheel Selection Guide	2
Wheel Selection Charts	3
Wheel Hardness Comparison Chart	4
Brake Options	5
Brake Chart	6
Replacement Parts	7
Glossary of Caster Terms	8
Tapered Bearing Adjustment	8
RWM Casters In-Plant Survey	9
Caster Model Number System	10
Wheel Model Number System	11
Top Plate Options	12
Swivel Section Styles	13
Caster Descriptions	14
Wheel Descriptions	18
RWM Testing Capabilities	22
Cart Design & Wheel Patterns	24
Material Handling Ergonomics	25
Swivel Locks, Floor Locks	26
Turntable Swivel Sections	27

## Casters

### Air Cargo Casters

CargoMax™ Casters	28
Economy Inverted Cargo Casters	29

### Institutional Casters

Office Product Casters	30
Economical Locking Stem Series Casters	31
VersaTrac® 27 Series Casters	32
Interchangeable Stem Casters	33

### Kingpin Casters

31 Series Casters	34
RK Series Textile Casters	36
WT Series Textile Casters	38
40 Series Casters	40
45 Series Casters	42
46 Series Casters	44
52 Series Casters	46
Economy 52 Series Casters	48
53 Series Casters	50
Economy 53 Series Casters	51
54 Series Casters	52
Freedom® 48 Series Casters	54
Freedom® 68 Series Casters	56

### Kingpinless™ Casters

47 Series Casters	58
65 Series Casters	60
70 Series Casters	62
75 Series Casters	64
76 Series Casters	66
85 Series Casters	68
95 Series Casters	70
125 Series Casters	72

### Dual Wheel Casters

2-65 Series Casters	74
2-75 Series Casters	76
2-76 Series Casters	78
2-85 Series Casters	80
2-95 Series Casters	82
2-125 Series Casters	84

## Shock Absorbing Casters

SA (Shock Absorbing) Series Casters	86
-------------------------------------	----

### Pneumatic Casters

Pneumatic Casters	88
Economical Pneumatic Casters	90

### Total Locking Casters

Total Lock 65 Series Casters	90 <b>NEW!</b>
------------------------------	----------------

### Custom Casters

Super Compact Casters	92 <b>NEW!</b>
Custom Caster Design Capabilities	93

### Stainless Steel Casters

S45 Stainless Steel Casters	94
S65 Stainless Steel Casters	96
S75 Stainless Steel Casters	98

## Wheels

Durastan (Phenolic) Wheels	100
Polyolefin Wheels	102
Performance TPR Wheels	104
High Temperature Nylon Wheels	106
Pinnacle (Thermoplastic) Wheels	107
GT (Solid Elastomer) Wheels	108
Signature™ Premium Rubber Wheels	110
Hand Truck Signature™ Premium Wheels	111
Elastomeric High Tensile Non-Marking Rubber Wheels	112
Elastomeric High Tensile Rubber Wheels	113
Mold-On Rubber Wheels	114
Soft Rubber Wheels	116
Hard Rubber Wheels	117
Pneumatic Wheels	118
RWM Urethane Wheel Overview	119
Urethane on Polypropylene Wheels	120
Urethane Solid Wheels	121
Urethane on Aluminum Wheels	122
Torus Wheels™ (Urethane on Aluminum Round Tread)	123
Urethane on Iron Wheels	124
Omega Wheels	126
Whisper (Heavy Duty Urethane on Iron)Wheels	128
Solid Urethane Wheels	129
60D Solid Urethane Wheels	130 <b>NEW!</b>
Infinity (Vulkollan®) Wheels	131
Nylatron HD Wheels	132
Ultra Thick Urethane Wheels	134
V-Groove Wheels	136
Cast Iron Wheels	138
Cast Iron Flanged Wheels	140
Forged Steel Wheels	142
Machined Steel Flanged Wheels	144

## Material Handling

Handi Carts	146
Hand Truck Disc Brakes	147
Hand Truck Signature Wheels™	147
SlimLine Hand Truck™	147
Fixed Aluminum Hand Trucks	148
Convertible Aluminum Hand Trucks	150
Hand Truck Replacement Parts	152
Hand Truck Curb Ramp	152
Platform Trucks	153
Titan Bulk Delivery Systems	154 <b>NEW!</b>
Production Facilities	156

# Wheel Selection Guide

## RWM offers bearings for every application

In recommending the correct wheel for the application, the type of floor material and the type of wheel material used will have a definite effect on the performance of the castered equipment. The following chart is designed to give a basic recommendation on the performance of different wheels in various conditions.

### Wheel Selection

There are many factors involved in selecting the proper wheel for an application. Among these are:

- wheel size
- wheel type
- load capacity
- ease of movement
- bearing type
- anticipated life

Associated factors would involve the application itself. Floor conditions should be taken into account:

- type of floor
- foreign material on the floor
- any extraordinary conditions such as water or chemicals
- temperatures other than ambient
- amount of usage

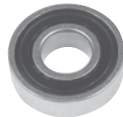
### Wheel Bearings

The following bearings are listed in order of ease of effort to begin and maintain rolling action:

- Sealed precision ball bearings
- Annular ball bearings
- Flanged ball bearings
- Caged roller bearings
- Roller bearings
- Precision tapered roller bearings
- Delrin bearings
- Plastic sleeve (Celcon) bearings
- Oilite bearings
- Plain bore

### Sealed Precision Ball Bearings

Sealed precision ball bearings are recommended for maximum rolling ease with no maintenance lubrication required. They provide quiet operation for medium duty to heavy duty loads. Used in pairs, they press-fit into the wheel hub. Precision ball bearings (standard or stainless steel) for light or heavy-duty applications can be provided for both radial and thrust loads.



### Annular Ball Bearings

Annular ball bearings are "precision" type ball bearings that provide full-length support across the wheel width. The outside races are locked to the inside race by ball bearings and our unique encapsulated raceway. They are ideal for light to medium duty (loads to 1,200 pounds per wheel, radial load rating, manual operation). Side thrust load rating is approximately 20% of radial capacity.



### Flanged Ball Bearings

Flanged ball bearings are a unique antifriction design that will eliminate seizing of the bearings and the wheel. These versatile bearings are supplied with shields and are constructed of hardened bearing quality steel with full complement of ball bearings and are pre-greased. The load is transmitted from the outer race to the ball, and from the ball to the inner race. Since the ball is a sphere, it only contacts the inner and outer race at a very small point, which helps it spin very smoothly.



Contact factory for additional bearing options.

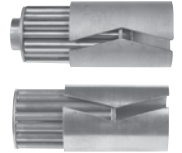
### Caged Roller Bearings

Caged roller bearings consist of a cage-type roller assembly and a drawn cup outer race. These bearings turn on hardened and ground spanner bushings that provide a long wearing precision inner race. Press fit bearings are used in combination with metal retainer/thrust washers. Rubber sealed retaining washers are available for sealed wheels. Caged roller bearings have high radial capacity. Some applications of wheels do not require the use of the spanner bushings.



### Roller Bearings

Straight roller bearings consist of a cage-type roller assembly and a split outer race. These bearings turn on hardened and ground spanner bushings that provide a long wearing precision inner race. Press fit combination metal retainer/ thrust washers hold the bearings in place. Rubber sealed retaining washers are available for sealed wheels. Straight roller bearings have high radial capacity, but minimal side thrust load rating. Some applications of wheels do not require the use of the spanner bushings.



### Precision Tapered Roller Bearings

Tapered roller bearings are true precision bearings designed for the heaviest loads, and/or high-speed operation. In addition to great radial capacity, they have a side thrust load rating of 60% to 90% of radial capacity rating. The assembly consists of an outer race or cup and a tapered cone roller assembly, normally held in position with closures. When required, more positive grease or dust seals can be provided. Spacers are provided to tighten the caster legs against the bearing assembly. Two bearings are installed per wheel. Standard Grease is -20° F. to 275° F. and High Temp Grease = -25° F. to 900° F.



### Delrin Bearings

Delrin bearings are extremely durable under a wide range of temperature and humidity conditions. They are corrosion resistant. Wheels with the Delrin bearings are well suited for applications where brine conditions, steam cleaning, or where excessive water or liquids are present. Light oil or grease lubrication is always recommended.



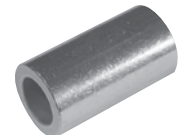
### Plastic Sleeve (Celcon) Bearings

For environments unsuitable to metal bearings, celcon bearings offer economical chemical and corrosion resistance. Wheels with celcon bearings are well suited for applications where brine conditions, steam cleaning, excessive water or liquids are present. Light oil or grease lubrication is always recommended. These types of bearings are available in both flanged or sleeve type bearings.



### Oilite Bearings

Oilite bearings are an inexpensive, highly efficient, caster wheel sleeve bearing made of powdered metal thoroughly impregnated with oil. These bearings are press-fit into the wheel bore and have a "built-in" lifetime lubrication for normal usage. For severe service, lubricant can be replenished through the hollow axle. These bearings can ride on a spanner bushing or directly on the axle, depending on the application requirements.



### Plain Bore

A plain bore means the bore of the wheel is riding directly on the spanner bushing or the caster axle. Plain bore wheels are used for light or seldom moved loads and where ease of starting and rolling is not an important consideration.

# Wheel Selection Charts

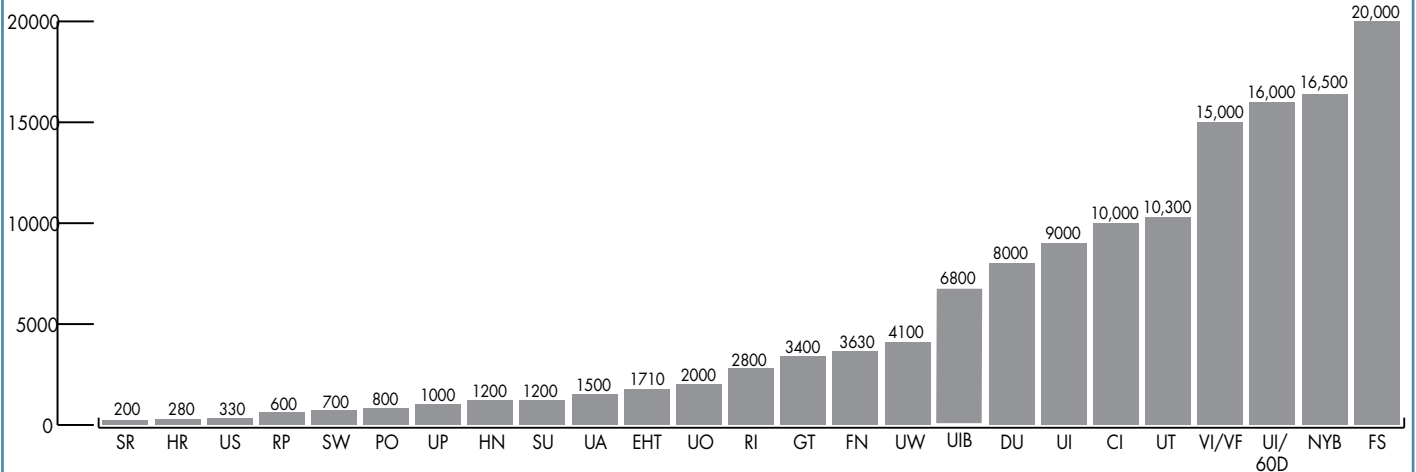
## WHEEL SELECTOR AID CHART (MANUAL OPERATION)

Surface	Cast Iron (CI)	Durostan (DU)	Elastomeric High Tensile (EHT)	Forged Steel (FS)	GT (GT)	Hard Rubber (HR)	High Temperature Nylon (HN)	Polyolefin (PO)	Pneumatics (PN)	Rubber on Polypropylene (RP)	Mold-On Rubber (RI)	Omega (UO)	Signature™ Wheel (SW)	Soft Rubber (SR)	Torus Wheel™ (UAB)	Urethane on Iron (UI)	Urethane (UP/US)	V-Groove Forged Steel (VF)	V-Groove Iron (VI)	
Finished Wood Floor	Not Recommended	Good	Excellent	Not Recommended	Good	Good	Good	Good	Good	Good	Good	Good	Good	Good	Good	Good	Good	Not Recommended	Not Recommended	
Finished Concrete Floor	Good	Good	Excellent	Good	Good	Good	Good	Good	Good	Good	Good	Good	Good	Good	Good	Good	Good	Not Recommended	Not Recommended	
Ceramic Tile - Terrazzo	Not Recommended	Good	Excellent	Not Recommended	Good	Good	Good	Good	Good	Good	Good	Good	Good	Good	Good	Good	Good	Not Recommended	Not Recommended	
Vinyl - Asphalt - Rubber Tile	Not Recommended	Good	Excellent	Not Recommended	Good	Good	Good	Good	Good	Good	Good	Good	Good	Good	Good	Good	Good	Not Recommended	Not Recommended	
Oil - Grease - Solvents	Good	Good	Good	Good	Good	Good	Good	Good	Good	Good	Good	Good	Good	Good	Good	Good	Good	Good	Good	
Alkalines - Inorganic	Good	Not Recommended	Good	Good	Good	Good	Good	Good	Good	Good	Good	Good	Good	Good	Good	Good	Good	Good	Good	
Metal Chips on Floor	Good	Good	Good	Good	Good	Good	Good	Good	Not Recommended	Good	Good	Good	Good	Good	Good	Good	Good	Good	Good	
Characteristics																				
Ease of Rolling	Good	Good	Good	Good	Good	Good	Good	Good	Good	Good	Good	Good	Good	Good	Good	Good	Good	Good	Good	
Load Carrying Ability	Good	Good	Good	Good	Good	Good	Good	Good	Good	Good	Good	Good	Good	Good	Good	Good	Good	Good	Good	
Noise in Operation	Good	Good	Good	Good	Good	Good	Good	Good	Good	Good	Good	Good	Good	Good	Good	Good	Good	Good	Good	
Floor Protection	Not Recommended	Good	Excellent	Not Recommended	Good	Good	Good	Good	Good	Good	Good	Good	Good	Good	Good	Good	Good	Not Recommended	Not Recommended	
Resiliency	Not Recommended	Not Recommended	Good	Not Recommended	Good	Not Recommended	Not Recommended	Not Recommended	Good	Good	Good	Good	Good	Good	Good	Good	Good	Not Recommended	Not Recommended	
Impact Resistance	Good	Good	Good	Good	Good	Not Recommended	Good	Good	Good	Good	Good	Good	Good	Good	Good	Good	Good	Good	Good	
Moisture & Chem. Resistance	Good	Good	Good	Good	Good	Good	Good	Good	Good	Good	Good	Good	Good	Good	Good	Good	Good	Good	Good	
Abrasion Resistance	Good	Good	Good	Good	Good	Good	Good	Good	Good	Good	Good	Good	Good	Good	Good	Good	Good	Good	Good	
Temperature Range	High	800Y	275Y; 300Y	200Y	800Y	275Y	180Y	550Y	230Y	200Y	200Y	200Y	175Y	180Y	200Y	180Y	175Y	175Y	800Y	800Y
	Low	-65Y	-65Y	-40Y	-65Y	-40Y	-40Y	-40Y	-40Y	-40Y	-40Y	-40Y	-40Y	-40Y	-40Y	-40Y	-40Y	-40Y	-65Y	-65Y
Durometer Rating		95D	70A		75D	75D	85D	65D		70A	75A	95A	70A	75A	80A, 95A	95A, 60D, 80A, 90A	95A			

Excellent  
 Good  
 Fair  
 Not Recommended

NOTE: This chart is very general in scope. For applications other than normal factory or warehouse conditions, we strongly recommend you contact your B&C representative.

## WHEEL CAPACITY RANGE BY TYPE



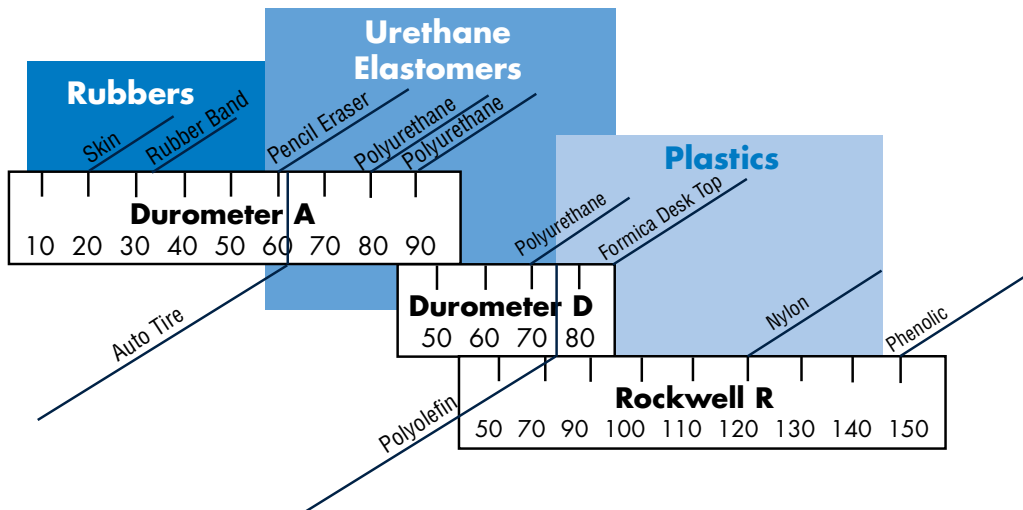
## GUIDELINES FOR SELECTING WHEEL DIAMETER

Total Weight Including Cart	Wheel Diameter	Total Weight Including Cart	Wheel Diameter	Total Weight Including Cart	Wheel Diameter
20 to 250	3"	500 to 1000	5"	1500 to 2000	8"
250 to 500	4"	1000 to 1500	6"	2000 to 3000	10"

This is a general guideline. Diameter selection will depend on application factors and wheel types.

# Wheel Hardness Comparison Chart

Wheel Hardness Comparison Chart			
Wheel Type	Tread Material	Durometer	Scale
SR	Soft Tread Rubber	70 - 80	A
HR	Hard Tread Rubber	75 - 85	D
DU	Phenolics	145 - 150	R
UI, UT, UO, UW, UP, UA, INF	Polyurethane	90 - 95	A
UI, UT, UW	80 A Polyurethane	80 - 85	A
UI, UT, UW, SU, MU	70D Polyurethane	70 - 75	D
RI, RA, SW	Rubber	70 - 80	A
RP	Gray Rubber	70 - 80	A
PO	Polyolefin, Polypropylene	55 - 75	D
SW	EHT Rubber	65 - 70	A
FN	Pneumatic	60 - 65	A



## Brake Options

A variety of wheel brake options are available from RWM on our swivel and rigid casters depending upon the various series. All are factory-installed; WB, ICWB, FICWB and SICWB models may also be installed in the field. Please see brake chart on page 6 for recommended brake options.

**Face Contact Nylon Brake (FCNB)**  
The Face Contact Nylon Brake is available on the 46 Series. Nylon brake is corrosion resistant.

**Face Contact Nylon Total Lock Brake (FCNTLB)**  
The Face Contact Nylon Total Lock Brake is available on the 46 Series. Locks both wheel and swivel action. Nylon brake is corrosion resistant.

**Face Contact Steel Total Lock Brake (FCSTLB)**  
The Face Contact Steel Total Lock Brake is available on the 46 Series. Brake is front mounted. Locks both wheel and swivel action.

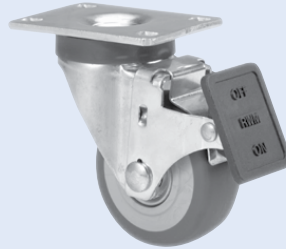
**Face Contact Wheel Brake (FCWB)**  
The face contact wheel brake is engaged by compressing the brake shoe against the face of the wheel by turning a T-handle screw.



**Field Installable Cam Wheel Brake (FICWB)**

Depressing the pedal engages a non-skid pad against the wheel. Deactivate by moving the foot pedal in the opposite direction. Our field installable Cam Wheel Brakes for the 75 & 76 Series are available for roller, ball and tapered bearings on 6", 8", 10" and 12" wheels.

**27 Series Brakes**

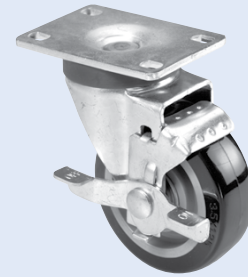


**Field Installable Face Contact Brake (ICWB)**

Easy field installation, toe operated, easy push pedal, only one rotating part, maintenance free, and corrosion resistant. Available in 3", 3-1/2", 4", & 5" sizes.

**Description**

- BRAKE-ICWB-27-0312
- BRAKE-ICWB-27-3512
- BRAKE-ICWB-27-0412
- BRAKE-ICWB-27-0512

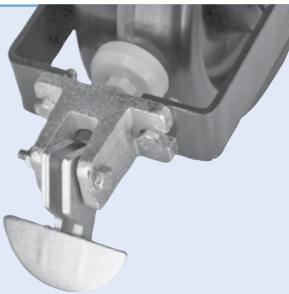


**Field Installable Side Action Brake (WB)**

Easy field installation, self-adjusts to wheel wear, easy to engage and disengage, and corrosion resistant. Available in 3", 3-1/2", 4", 5" sizes.

**Description**

- BRAKE-SIDE-27-0312
- BRAKE-SIDE-27-3512
- BRAKE-SIDE-27-0412
- BRAKE-SIDE-27-0512



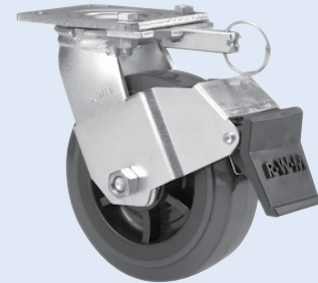
**Cam Wheel Brake (CWB)**

Depressing the pedal engages a non-skid pad against the wheel. Deactivate by moving the foot pedal in the opposite direction. Available on all Kingpinless and Maintenance Free Casters.



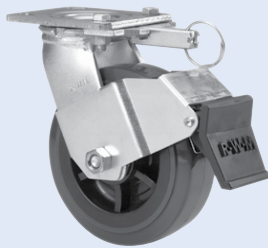
**Poly Cam Brake (PCWB)**

Depressing the pedal compresses a polyurethane pad against a non-skid metal pad which prevents the wheel from rotating. Adjustments can be made to increase or decrease pressure against the wheel. Also, adjustments can be made to compensate for wear of wheel over time. Available on all Kingpinless and Maintenance Free Casters.



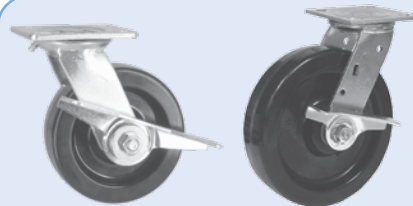
**Stainless Steel Field Installable Face Contact Brake (SICWB)**

Stainless Steel Field Installable Face Contact Brake is available in 4", 5", 6" and 8" sizes. This brake fits 2" wide wheels only.



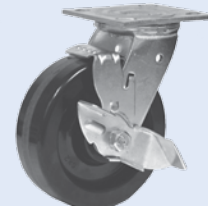
**Field Installable Face Contact Brake (ICWB)**

ICWB is the only face contact brake in the industry that will accommodate a demountable swivel lock and easy field installation. Caster, brake, and DSL can be purchased separately. Patent Pending. Available in 4", 5", 6", & 8" sizes. Easily installs on the 46, 47, 48, 52, 65 and 70 series. This brake fits 2" wide wheels only.



**Side Wheel Brake (WB)**

Side Wheel Brake is available on 40, 45, 46, 47, 48, 52, 65 and 70 Series. This economical brake is designed to be used on 4" to 8" diameter wheels (1-1/2" and 2" only) and can be used with plain roller bearings. Styles may differ depending on series.



**Side Brake Steel Tread Brake (STB) (WBT)**

Side Brake Steel Tread Brake is available on the 45 (STB) and 46 (WBT) Series. May be used with swivel locks.



**Welded T-Handle Brake (WTHB)**

Welded T-handle Brake is available for use on the RWM S65 and S75 series. The T-handle is hand twisted to squeeze the hub of the wheel and prevent rotation.



**Wrap-Around Wheel Brake (WWB)**

This brake operates mechanically similar to the side wheel brake, but is operable from more locations. This brake fits 2" wide wheels only.

BRAKE OPTIONS			
Series	Recommended Brake	Recommended Bearing	Other Brake Options
27 Series	ICWB	Ball	TLB, WB
31 Series	WB (side)	Plain	
40 Series	WB (side)	Roller	
45 Series	ICWB	Roller	STB, WB
46 Series	ICWB	Roller	FCNB, FCSTLB, FCNTLB, WB, WBT
47 Series	ICWB	Roller	WB, WWB (Roller Only)
48 Series	ICWB	Sealed Precision	WB, WWB (Roller Only)
52 Series	ICWB	Roller	WB, WWB (Roller Only), TPLK
53 Series	CWB	Roller	
54 Series	CWB	Roller	
65 Series	ICWB	Sealed Precision	WB, WWB (Roller Only), CWB, PCWB
68 Series	PCWB	Sealed Precision	CWB
70 Series	WB (side) - 2" only	Roller	CWB
75 Series	FICWB	Roller	PCWB, CWB
76 Series	FICWB	Tapered	PCWB, CWB
85 Series	PCWB	Tapered	CWB
95 Series	PCWB	Tapered	CWB
125 Series	PCWB	Tapered	FCWB
2-65 Series	CWB	Roller	
2-75 Series	CWB	Roller	PCWB
2-76 Series	CWB	Roller	PCWB
2-85 Series	PCWB	Tapered	CWB
2-95 Series	PCWB	Tapered	CWB
2-125 Series	PCWB	Tapered	
SA Series	CALL FACTORY		
Full Pneumatic	8" - 10" wheels: CWB; 12" wheels: FCWB 14" & larger: FCWB	Ball, Tapered	PCWB
S45 Series	SICWB	Roller	WB, WBT, FCNB, FCNTLB
S65 Series	SICWB	Roller	SCWB, WB, WTHB
S75 Series	SCWB	Roller	WTHB

**BEARINGS**

Series	Wheel Hub	Axle & Nut	Spanner	Thrust Washer	Roller Bearing	Flanged Ball Bearing	Sealed Precision Ball Bearing
27 w/ ball bearings	1-1/2"	00382422IM				0061812BBF (2)	
30 w/ roller bearings	1-5/8"	500026180X	0221424182	10004751XX	10001040XX		
30 w/ ball bearings	1-5/8"	500026180X					
40 w/ roller bearings	1-5/8"	5530000020	0221434182	10004751XX	10001040XX		
40 w/ ball bearings	1-5/8"	5530000020					
45,46,47,48,65 w/roller bearings	2-3/16"	5535000020	0221434242	10004751XX	100093330X		
45,46,47,48,65 w/ball bearings	2-3/16"	5535000020				01F31086CS	
45,46,47,48,65 w/sealed precision ball bearings	1/2" x 3-1/2" plain	5000263350					10062032RS (2)
53 w/roller bearings	2-3/4"	500026400X	500021240X	10004752XX	0495114261		
54, 76 w/roller bearings	3-1/4"	500026480X	500021280X	10004752XX	0495114281		
75 w/roller bearings	3-1/4"	50006561XX	500021280X	10004752XX	0495114281		

**AXLE & NUT ASSEMBLIES**

Axle Kit Number	Diameter & Length
00382422IM	3/8" x 2-1/4"
500026180X	3/8" x 2-1/2"
5530000020	1/2" x 3"
5535000020	1/2" x 3-3/8"
5545000020	1/2" x 4-1/2"
500026400X	3/4" x 4"
500026480X	3/4" x 4-3/4"
50006561XX	3/4" x 5"

**ROLLER BEARINGS**

Part Number	ID	OD	Length
10001040XX	3/4"	1-3/16"	1-1/4"
100093330X	3/4"	1-3/16"	1-7/8"
0495114261	1"	1-15/16"	2-1/2"
0495114281	1"	1-15/16"	3"

**FLANGED BALL BEARINGS**

Part Number	ID	OD
01F31086CS	1/2"	1-3/16"
0061812BBF	3/8"	1-1/8"

**SPANNER BUSHING**

Part Number	ID	OD	Length
0221424182	3/8"	3/4"	1-7/8"
0221434182	1/2"	3/4"	1-7/8"
0221434242	1/2"	3/4"	2-7/16"
500021240X	3/4"	1"	3-1/32"
500021280X	3/4"	1"	3-9/16"

**THRUST WASHER**

Part Number	ID x BORE x OD
10004751XX	3/4" x 1-3/16" x 1-1/2"
10004751XX	3/4" x 1-3/16" x 1-1/2"
10004751XX	3/4" x 1-3/16" x 1-1/2"
10004752XX	1" x 1-15/16" x 2-1/8"
10004752XX	1" x 1-15/16" x 2-1/8"



# Glossary of Caster Terms

## Glossary of Caster Terms

Listed and defined below are common terms used to describe and specify casters and wheels. This information is offered for your convenience.

**Durometer** – Scale for measuring the hardness of a wheel material.

**Load Capacity** – The load a caster wheel will hold.

**Overall Height** – The total vertical distance from the floor to the top of the mounting plate, or the base of the stem of the caster.

**Raceway** – A channel that consists of one or two rows of ball bearings or rollers, which allows a caster to swivel.

**Retaining Washer** – A washer pressed into the hub ends to retain the bearings. A sealed version of this washer

keeps grease in and debris out of the bearings.

**Rig** – A caster without a wheel and axle.

**Rollability** – The ease of starting and maintaining rolling motion. Rollability is determined by many factors like, durometer of the wheel, floor conditions and surfaces, load, and size of wheel bearings.

**Swivel Lead** – The distance between the centerline of the kingpin and the centerline of the axle of a swivel caster. The larger the offset, the easier swiveling, but the smaller offset offers greater strength.

**Swivel Radius** – The horizontal distance from the center of the Kingpin to the edge of the tread of the wheel.

**Tread Width** – Width of the wheel tread.

**Wheel Diameter** – The distance of the wheel measured vertically from one side of the tread to the other.

## Tapered Bearing Adjustment/Installation

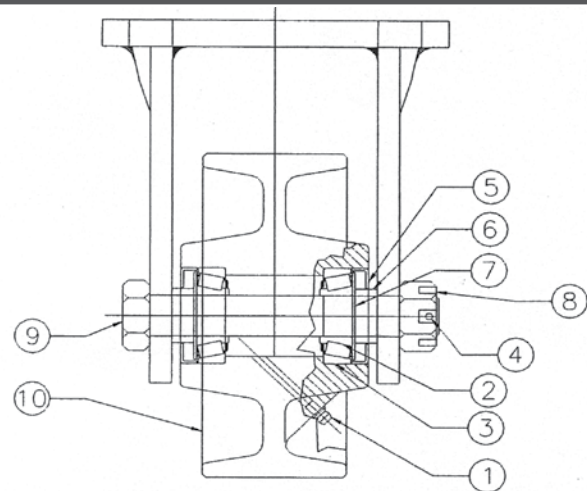
### Tapered Bearing Adjustment

In order to ensure correct adjustment, the tapered bearings are required to have “zero end play” at all times. The procedure to accomplish this in a caster is as follows:

- Check that each spacer is positioned in the correct place, through the seal and up against the face of each bearing.
- Install the wheel into the rig.
- Install the axel through the legs, spacers and bearings.
- Assemble the slotted nut on the end of the axle and tighten with a wrench until the wheel has sufficient drag to stop the wheel from rotating at all when released from your hand while trying to spin the wheel. This will seat the tapered bearing cones into the cups.
- Back the nut off approximately a quarter of a turn to locate the cross drilled hole in the axle and one of the slots in the nut.\*
- Spin the wheel. When released from your hand, the wheel should turn approximately one half of a rotation.
- Install the roll pin.\*

The bearings should be checked for the correct adjustment and to assure they are properly lubricated every 500 hours of service or as frequently as possible afterwards.

\*Some casters maybe assembled with a Flexloc nut, this product has a locking feature that allows infinite adjustment without using a roll pin to secure the nut.



4. Install the closure (5) over the flinger washer (7). Make sure to fully seat the closure (5) around flinger washer (7) and cup (3).
5. Repeat above procedure for the opposite side.
6. Install the wheel (10) into the caster.
7. Place a spacer (6) between the closure (5) and the caster leg on each side.
8. Slide the axle (9) through the caster legs and wheel assembly (10).
9. Install a castle nut (8) and tighten until the wheel (10) will not spin. this will seat the bearings into the bore.
10. Loosen the castle nut (8) until the wheel (10) is free spinning.
11. Tighten the castle nut (8) until the wheel (10) begins to drag.
12. Align the slots in the castle nut (8) with the cross holes in the axle (9) by tightening or loosening the castle nut (8). If tightening, the wheel (10) must be able to spin somewhat freely. If loosening, the wheel (10) cannot have any end play. The bearing should have some pre-load. Install cotter pin or roll pin (4) through the slotted nut (8) and axle (9).
13. Lubricate bearings through the grease zerk (1) using Shell Alvania Grease 2 or equivalent.

### Tapered Roller Bearing Installation

1. Install the cup(3) into the wheel bore. The cup (3) must be fully seated against the step in the bore. Make sure the taper of the cup (3) is in the proper orientation.
2. Install the cone (2) into the cup (3). This is a loose fit.
3. Install the flinger washer (7) on top of the cone (2).

# RWM Casters In-Plant Survey

**A safe, ergonomic operating practice for any caster application is that each caster should be rated at an amount equal to the total load.**

## PRODUCT SURVEY

Type of Equipment / Name: \_\_\_\_\_

\_\_\_\_\_  
\_\_\_\_\_

Measurements: \_\_\_\_\_

\_\_\_\_\_  
\_\_\_\_\_

Maximum Capacity:

Contents + Container Weight = \_\_\_\_\_ lbs.

Is Overload Possible?     Yes     No

Shock Loads?                 Yes     No

Heavier Loads in Future?  Yes     No

If Yes, \_\_\_\_\_ lbs.

Floor Material: \_\_\_\_\_

\_\_\_\_\_  
\_\_\_\_\_

Floor Condition: \_\_\_\_\_

\_\_\_\_\_  
\_\_\_\_\_

Operating Environmental Factors: (constant moisture ,oils,  
extreme temperature, noise, speed, abuse, other \_\_\_\_\_  
\_\_\_\_\_)

Movement:     manual operation  
                           power/towing operation

Power:             high speed  
                           side thrust

## CASTER MOUNTING PATTERN

Conventional: \_\_\_\_\_

Diamond: \_\_\_\_\_

4-Wheel: \_\_\_\_\_

6-Wheel: \_\_\_\_\_

Other: \_\_\_\_\_

## ACCESSORIES / OPTIONS

Swivel Locks: \_\_\_\_\_

Wheel Brakes: \_\_\_\_\_

Total Lock Brakes: \_\_\_\_\_

Floor Locks: \_\_\_\_\_

Other: \_\_\_\_\_

## CASTER / TOP PLATE CONSTRUCTION

Present Top Plate Size: \_\_\_\_\_ x \_\_\_\_\_ in / mm

Present Bolt Hole Pattern: \_\_\_\_\_ x \_\_\_\_\_ in / mm

Slotted to: \_\_\_\_\_ x \_\_\_\_\_ in / mm

Present Overall Height: \_\_\_\_\_ in / mm

Present Swivel Radius: \_\_\_\_\_ in / mm

Rig Construction:     stamped                 cold forged

hot forged                 kingpinless

stainless steel         welded legs

Other information: \_\_\_\_\_

\_\_\_\_\_  
\_\_\_\_\_

## WHEEL OPTIONS

Wheel Diameter: \_\_\_\_\_

Tread Width: \_\_\_\_\_

Bearing Type: \_\_\_\_\_

Other: \_\_\_\_\_

RWM Recommendations: \_\_\_\_\_

\_\_\_\_\_  
\_\_\_\_\_

\_\_\_\_\_  
\_\_\_\_\_

\_\_\_\_\_  
\_\_\_\_\_

# Caster Model Number System

Series	Wheel Type	Wheel Bearing	Wheel Diameter	Wheel Width	Swivel or Rigid	Accessories (all options not available for all items)
<b>46</b>	<b>UI</b>	<b>R</b>	<b>08</b>	<b>20</b>	<b>S</b>	<b>70D</b>
26	CI-Cast Iron	B-Ball	03 - 3"	12 - 1-1/4"	S or R	CWB-Cam Wheel Brake
27	DH-Durastan High Temp (Phenolic)	C-Celcon/Delrin	35 - 3-1/2"	15 - 1-1/2"		DSL-Demountable Swivel Lock
31	DL-Durastan Laminated (Phenolic)	O-Oilite	04 - 4"	20 - 2"		EP-Electropolished Finish
40	DU-Durastan (Phenolic)	P-Plain	05 - 5"	25 - 2-1/2"		FCWB-Face Contact Wheel Brake
45	DL-Durastan Laminated (Phenolic)	R-Roller Straight	06 - 6"	30 - 3"		FF-Foam Fill Tire
46	DU-Durastan (Phenolic)	T-Tapered Roller	08 - 8"	40 - 4"		FG-Foot Guard
47	FS-Forged Steel		10 - 10"	50 - 5"		FICWB-Field Installable Cam Wheel Brake
48	FN-Full Pneumatic		12-12"	60 - 6"		FIFG-Field Installable Foot Guard
52	GT-Elastomeric Wheel		14 - 14"			HDSL-Heavy Duty Threaded Swivel Lock
E52	HN-High Temp Nylon		16 - 16"			HT-High Temp Lubrication
53	HR-Hard Rubber (Solid)		18 - 18"			HTP-High Temperature Paint
E53	MU-High Performance Solid Urethane		20 - 20"			ICWB-Installable Face Contact Brake
54	NY-Nylatron HD					IW-Inside Weld
65	PN-Pinnacle (Thermoplastic)					LT-Low Temp Lubrication
68	PO-Polyolefin					NB-Nut & Bolt Kingpin
70	RA-Rubber on Aluminum EHT					NY-Notched Yoke
75	RI-Rubber on Iron					PCWB-Poly Cam Brake
76	RP-Performance TPR					SA-Shock Absorbing (IMS, VMS, OMS)
85	SR-Soft Rubber (Solid)					SSBB-Stainless Steel Ball Bearing
95	SW-Signature					SC-Stem Caster
125	TPR-HD Performance					SD-Shear Disc
2-65	UA-Urethane on Aluminum					SICWB-Stainless Steel Field Installable Face Contact Brake
2-75	UA-Torus					SL-Swivel Lock
2-76	UI-Urethane on Iron (Infinity)					SR-Sealed Raceway
2-85	UO-Omega					SS-Stainless Spanner
2-95	UP-Urethane on Polypropylene					SPBB-Sealed Precision Ball Bearing
2-125	UT-Ultra Thick Urethane					SSRB-Stainless Steel Roller Bearing
S45	UW-Whisper					TG-Thread Guards
S65	VF-VGroove Forged Steel					TL-Total Locking Brake, Nylon Pedal
S75	VI-VGroove Cast Iron					WB-Wheel Brake
RK						WS-Wheel Seals
WT						WTHB-Welded T-Handle Brake
						WWB-Wrap-Around Wheel Brake
						ZF-Zerk Fitting
						ZP-Zinc Plated
						70D-Optional Durometer
						80A-Optional Durometer
						90A-Optional Durometer

# Wheel Model Number System

Wheel Type	Wheel Bearing	Wheel Diameter	Wheel Width	Axle Dia. in 1/16" Increments	Options
<b>UI</b>	<b>R</b>	<b>08</b>	<b>20</b>	<b>08</b>	<b>70D</b>
CI-Cast Iron	B-Ball	03 - 3"	12 - 1-1/4"	05 - 5/16"	FF-Foam Filled*
DL-Durastan Laminated (Phenolic)	C-Celcon/Delrin	35 - 3-1/2"	15 - 1-1/2"	06 - 3/8"	HT-High Temp Lubrication
DU-Durastan (Phenolic)	O-Oilite	04 - 4"	20 - 2"	08 - 1/2"	LT-Low Temp Lubrication
FF-Machined Flanged Steel	P-Plain	05 - 5"	30 - 3"	10 - 5/8"	SS-Stainless Steel Spanner
FS-Forged Steel	R-Roller Straight	06 - 6"	40 - 4"	12 - 3/4"	SPBB-Sealed Precision Ball Bearing
FN-Full Pneumatic	T-Tapered Roller	08 - 8"	50 - 5"	16 - 1"	SSBB-Stainless SteelBall Bearing
GT-GT (Elastomer Blend)		10 - 10"	60 - 6"	20 - 1-1/4"	TG-Thread Guards*
HN-High Temp Nylon		12 - 12"			WS-Wheel Seals
HR-Hard Rubber (Solid)		14 - 14"			ZF-Zerk Fitting
MU-High Performance Solid Urethane		16 - 16"			70D-Optional Durometer*
NY-Nylatron HD		18 - 18"			80A-Optional Durometer*
PN-Pinnacle (Thermoplastic)		20 - 20"			90A-Optional Durometer*
PO-Polyolefin					
RA-Rubber on Aluminum					
RI-Rubber on Iron					
RP-Performance TPR					
SR-Soft Rubber (Solid)					
SW-Signature					
UA-Urethane on Aluminum					
UA-Torus					
UI-Urethane on Iron					
UO-Omega					
UP-Urethane on Polypropylene					
UT-Ultra Thick Urethane					
UW-Whisper					
VF-VGroove Forged Steel					
VI-VGroove Cast Iron					

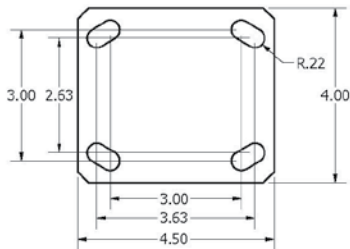
\* Certain Items Only

# Top Plate Options

## RWM Casters Top Plate Options

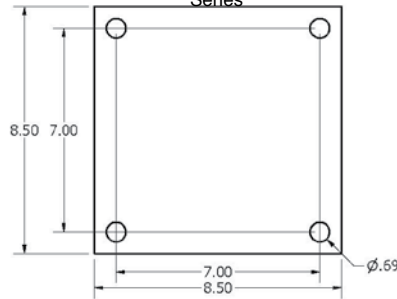
### Standard Top Plate

Available on: 40, 45, 46, 47, 48, 65, 2-65 Series



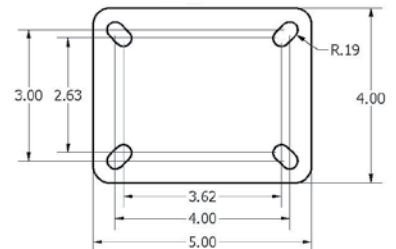
### LMST / LMRT

Available on: 85, 125, 2-85, 2-125 Series



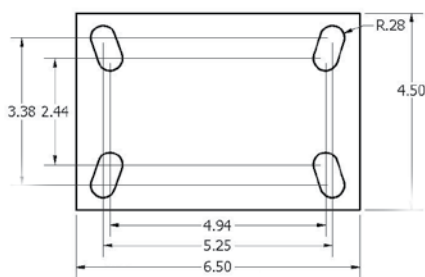
### 41ST / 41RT

Available on: 46, 65 Series



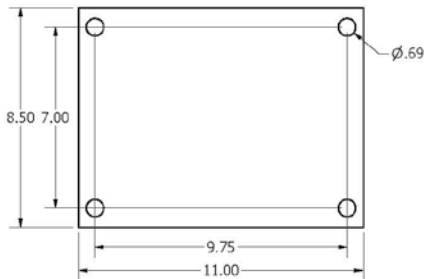
### 42ST / 42RT / 75ST / 75RT

Available on: 40, 46, 47, 48, 52, 53, 65, 70, 75, 76, 2-65, 2-75, 2-76 Series



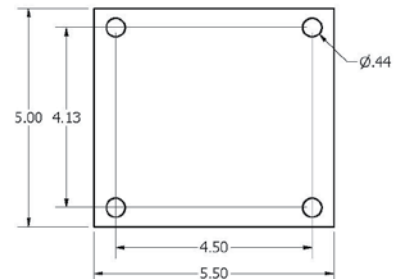
### LLST / LLRT

Available on: 85, 125, 2-85, 2-125 Series



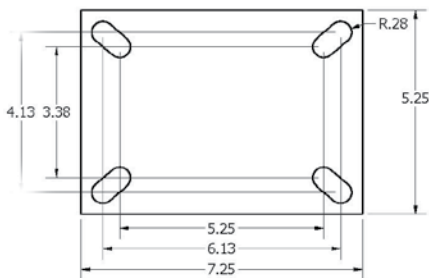
### 43ST / 43RT

Available on: 46, 47, 65 Series



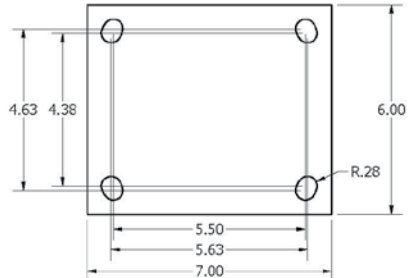
### 76ST / 76RT

Available on: 54, 75, 76, 2-75, 2-76 Series



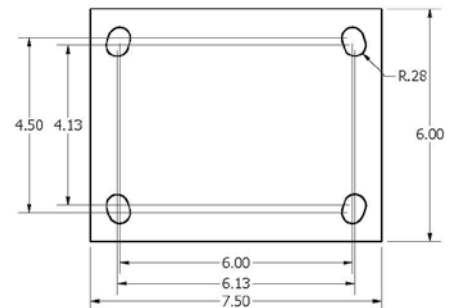
### 90ST / 90RT

Available on: 75, 76, 85, 2-75, 2-76, 2-85 Series



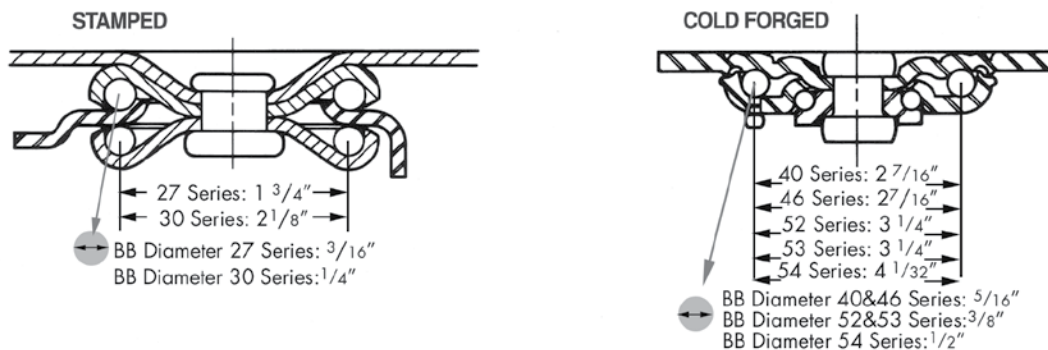
### 95ST / 95RT

Available on: 95R, 2-95R Series

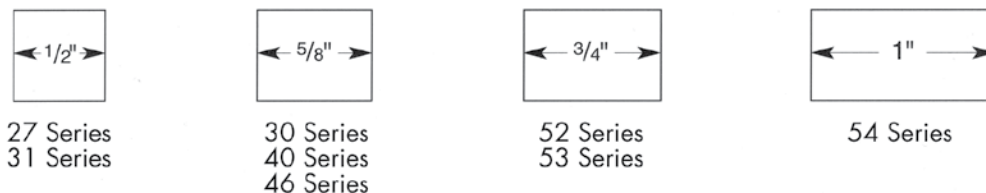


# Swivel Section Styles

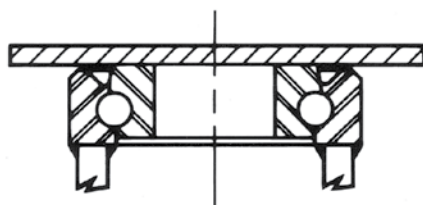
## Kingpin Style Swivel Section



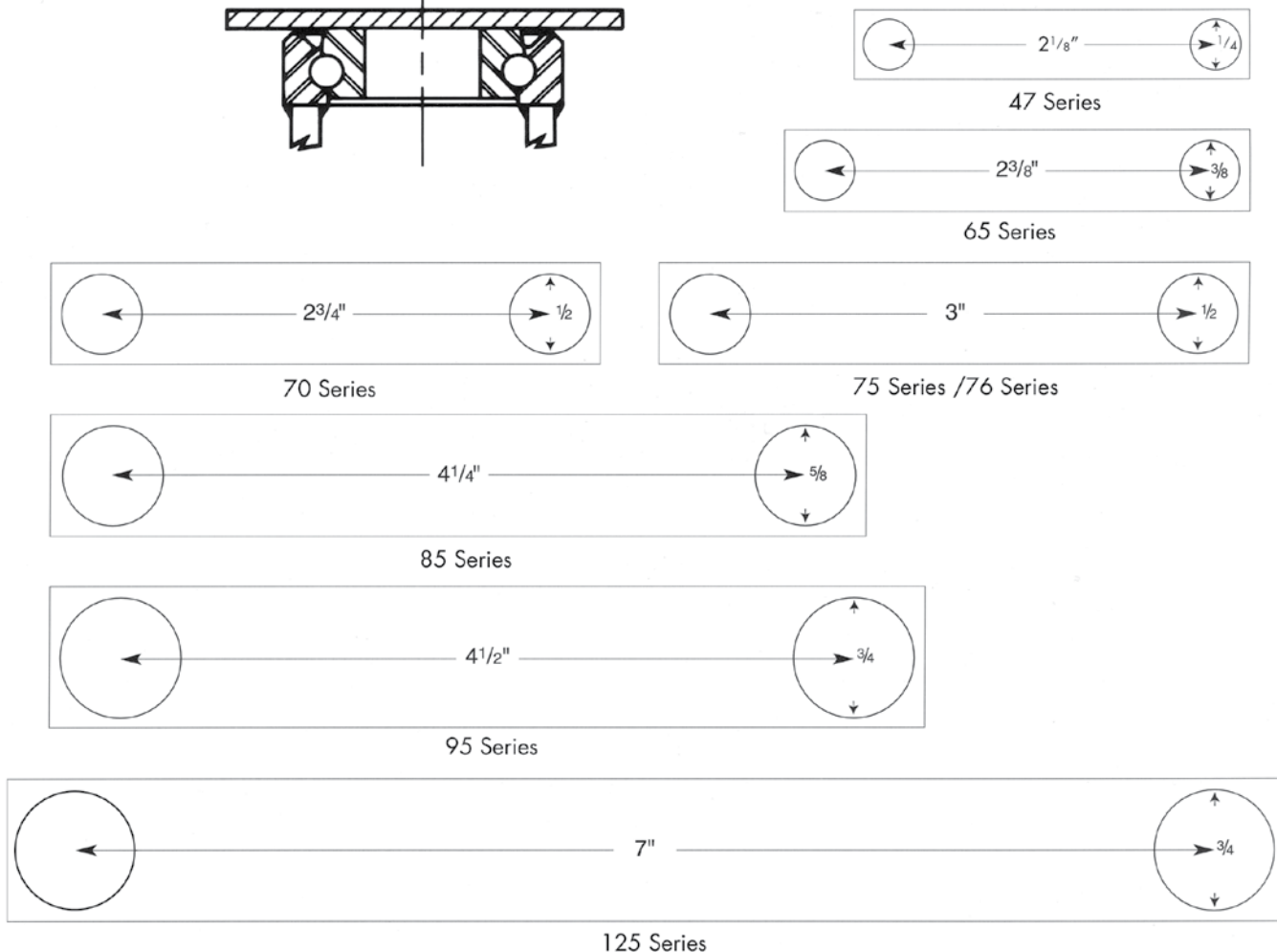
CROSS-SECTION KINGPIN DIAMETERS



## Kingpinless Style Swivel Section



CROSS-SECTION RACEWAY DIAMETERS



# Caster Descriptions

## VersaTrac 27® Series Casters



27-RPB-0412-S-TG

The VersaTrac 27® Series Casters provide solutions to a wide range of institutional caster and industrial caster applications. This light medium duty caster is available in multiple styles and sizes. It is offered in numerous top plates and stem choices and is available with nine standard wheel combinations. The VersaTrac 27® Series Caster is a durable and reliable caster. It includes extra thick material in the top plate, yoke and raceways. The VersaTrac 27® is heat treated for extended service life and comes standard with a metal dust shield. This light medium duty caster series provides the ultimate in value at very competitive prices.

The VersaTrac 27® Series Caster is very popular, and accounts for nearly half of all institutional in use today. These casters are used extensively in general industry, medical equipment, laboratory, residential, industrial and manufacturing applications. The VersaTrac 27® Series Casters are ideal for use in food service and food processing equipment, carts, dollies, bins, cases, racks, tables, commercial appliances, retail fixtures, display stands, business machines and equipment. Most VersaTrac 27® Series Casters are NSF approved. RWM also stocks hard to find and unusual interchangeable stems for our 27 Series Casters. Choose from our 7/8" x



2" square stem with holes, 7/16" x 1 1/2" threaded stem, 5/8"-11 x 1 3/4" threaded stem or our 3/4"-10 x 1 3/4" threaded stem.

## 30 Series Casters



30-DUR-0415-S

RWM's 30 Series Casters are ideal for light and medium duty applications. With a large variety of wheel types, brake options and two complete heat-treated raceways, this light medium duty caster is ideal for a variety of applications. The hydraulically pressed kingpin provides increased strength, therefore our 30 Series Casters can be used in similar applications as our 27 Series Casters, only the 30 Series Casters have higher rated capacities. These applications include general industry, medical equipment, laboratory, residential, industrial and manufacturing applications.

Our 30 Series Casters are ideal for use in food service and food processing equipment, carts, dollies, bins, cases, racks, tables, commercial appliances, retail fixtures, display stands, business machines and equipment. Most 30 Series Casters are NSF approved.

## 31 Series Casters-General



31-POP-0312-S-WB

RWM's 31 Series Casters are perfect for a wide range of light duty industrial, institutional, material handling and general-purpose caster applications. The 31 Series Caster's heavy-duty zinc plate finish is both attractive and corrosion resistant. Swivel models provide greater maneuverability, while rigid models offer straight-line mobility. Brake options are available on the 31 Series Casters swivel models only.

These 31 Series light duty casters are used in a variety of applications and industries including the moving of furniture, electronics, medical equipment and stands, food service and institutional equipment and carts (hotels, resorts, hospitals, restaurants, schools and many other applications).

## 40 Series Casters-Medium Duty



40-GTB-0415-S

Our 40 Series Casters have been used in a wide variety of applications for many years and are the backbone of the material handling industry. Nearly every warehouse, freight terminal, manufacturing plant and industrial business use these types of casters somewhere in their operations. The load ratings for our 40 Series Casters fit a wide variety of manufacturing and warehousing uses. This medium duty caster series is designed for use on scrap bins, parts boxes, dollies and racks. The 40 Series Caster is the same as our standard 46 Series Casters except for 1 1/2" wide wheels.

## 45 Series Casters-Medium Duty



45-DUR-0520-S

RWM's 45 Series Casters are an economical version of our 46 Series Caster. Typical applications for our 45 Series include dollies, shop carts, scrap bins and floor trucks. The 45 Series Caster offers five brake options to best meet your requirements including face contact nylon brakes, face contact nylon total lock brakes, steel side brakes, face contact steel total lock brake front mounted and steel side brake tread. It features a total lock capability on all sizes, and has a capacity of up to 1200 pounds.

Our 45 Series Caster features heat treated double ball raceways and top plates, a 5/8" diameter rivet hydraulically compressed for trouble free service life. These casters are ideal for aircraft/aerospace, bakery carts, dough troughs, meat processing vats, seafood holding tanks, a-frame trucks, assembly line & boat molding dollies, box trucks, conveyor stands, conveyors, fixture carts, gantries, maintenance & material handling carts, mobile storage

# Caster Descriptions

racks, mobile tool chests, platform trucks, security cages, refuse containers, shipping/receiving carts, tire racks, bellman carts, chair & table dollies, floor scrubbers, housekeeping carts, institutional equipment, janitorial equipment, laundry & luggage carts, animal cages, laboratory equipment, electronic equipment, mail trucks, mobile kitchen equipment, steam tables, school furniture, textile dye trucks and textile roving cans.

## 46 Series Casters-Medium Heavy



46-GTB-0620-S

Our 46 Series Casters are designed for medium heavy-duty applications. Typical applications for the 46 Series Casters include dollies, shop carts, scrap bins and warehouse trucks. Medium heavy-duty casters are the backbone of the material handling industry. Nearly every warehouse, freight terminal, manufacturing plant and industrial business use these types of casters somewhere in their operations.



46-GTB-0620-FCNB

They are ideal for platform trucks, material handling carts, vending machines, warehouse and factory applications, heavy-duty foodservice and institutional equipment, tool boxes, stock carts, shelf trucks, ground support equipment, bakery carts, a-frame trucks, assembly line dollies, maintenance carts, mobile storage racks, shipping/receiving carts, warehousing & freight terminal dollies and carts, gantries & hoppers, laundry and linen carts & hampers, portable work benches, drywall dollies & carts, and countless other medium duty applications.

## 47, 65, 70, 75, 76, 85, 95, 125 Series Kingpinless™ Casters



47-RAB-0820-S

The 47, 65, 70, 75, 76, 85, 95 and 125 Series Casters are RWM Kingpinless™ Casters. We patented this design and it has proven itself to be the best solution for demanding applications. This is the caster design that all others are now copying because it is simply unmatched in extending service life, reducing all possible causes for caster failure.



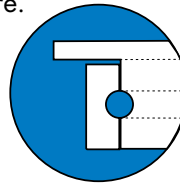
RWM's patented Kingpinless™ caster design is superior due to the offset precision-machined raceway that exerts radial force evenly where there is full contact between the ball bearing and the raceway. The result is that there are no direct "hammering" forces on the intersections of the raceways, vastly reduced raceway wear, elimination of the "pull apart" forces of stress in the swivel section, and smoother swiveling action. There is also high maneuverability, longer service life, less main-

tenance, extra impact resistance and high radial force absorption. Our unique Kingpinless™ design adds more mass at key points. This, plus more thorough heat treatment, provides additional strength and combats brinelling into the core material.

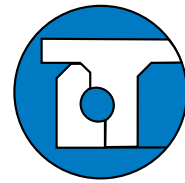


65-UAB-0821-S

The inline positioning of the majority of our competitor's raceways creates a direct "hammering" effect via the ball bearings, which are centered on the tangent of the two raceways, thus savaging and eventually eroding the raceway. The inevitable result is a loose fit and progressive swivel failure. Even a double raceway configuration is subject to these same "hammering" hazards. The machining requirements of the competition to accommodate a swivel lock reduces strength, leading to premature fatigue, stress fractures of the raceway and eventual failure.



The Majority of Competitor's Raceways



RWM's Patented Offset Raceway



70-VIR-0830-S

RWM Kingpinless™ casters function flawlessly, even at high speeds, without shimmy. We have applied over 100,000 pounds of impact forces to our 125 series with a 5" swivel lead with no damage to the swivel section. Our swivel section tolerances are .017, compared with .030 for the competition. This differential represents the amount of play between the top plate and the swivel yoke. The more precise the machining is, the closer the tolerance; the closer the tolerances, the longer the service life.



75-UIR-0625-S

Our Kingpinless™ raceways provide the additional mass necessary for a double weld on its legs, inside and outside, as opposed to the competition's single weld. Their machining process does not provide the necessary mass for a weld on the outside race. Tests prove that RWM legs have a 74% higher yield strength than the competition, and a 74% higher ultimate strength than the competition. RWM caster's carbon content, the essential ingredient for strength in steel, is nearly seven times higher than the competition. The steel in RWM caster's race is superior in its heat treatment – nearly 18% harder than the competition. As a result, the RWM welded-in race is nearly 20% better equipped to resist brinelling than the competition, and allows the swivel section to turn easily in the roughest applications.



76-UOT-0830-S



# Caster Descriptions

**RWM is the originator of the Kingpinless™ Caster, the most emulated caster in the industry today.**



85-UIT-1030-8SL-PCWB

The RWM heavy duty Kingpinless™ casters are very high quality heavy duty and extreme duty line of casters for various industries and applications. They are ideal for tow lines, shock load applications and abusive conditions, production line dollies and trucks used in various industries including but not limited to: boat and ship molding and building, automotive, aerospace, metal fabricating, metal forging, heavy machinery and equipment, military equipment, mobile homes, etc. Tractor pulled trailers, extreme duty platform trucks and material handling carts, air cargo and ground support equipment, storage tanks, gantries and heavy duty processing equipment, coliseum and gymnasium equipment, shipping/receiving carts, warehousing and freight terminal dollies and carts, and countless other heavy duty applications.



125-UIT-0840-S



95-UOT-1030-S

## 2-65, 2-75, 2-76, 2-85, 2-95, 2-125 Series Kingpinless™ Dual Wheel Casters



2-65-UAR-0420-42ST

RWM's 2-65, 2-75, 2-76, 2-85, 2-95 and 2-125 Series Kingpinless™ Dual Wheel Casters feature all of the benefits of our patented Kingpinless™ raceway and twice the capacity load. See the information in the section preceding this one for details on the RWM Kingpinless™ caster benefits.



2-75-HNR-0620-S

Dual wheel casters offer high weight capacities with minimal overall heights, better load distribution, floor protection and mobility than single wheel casters. This is a result of spreading the weight over a wider floor area while offing wheel differential action, resulting in less friction between the wheels and the floor, requiring less effort for the caster to swivel.



2-76-DUR-0625-S-SL-CWB

Dual wheel casters are ideal for tow lines, shock load applications and abusive conditions, production line dollies & trucks used in various industries including but



2-85-UIR-0830-S



2-95-UIR-0830-S



2-125-CIT-1260-S

not limited to boat & ship molding and building, automotive, aerospace, metal fabricating, metal forging, heavy machinery & equipment, military equipment, mobile homes, etc. tractor pulled trailers, extreme duty platform trucks & material handling carts, air cargo & ground support equipment, storage tanks, gantries & heavy duty processing equipment, coliseum & gymnasium equipment, shipping/receiving carts, warehousing & freight terminal dollies and carts, and other extra heavy duty applications.



## Pneumatic Casters



76-FNR-1648-S-FCWB

RWM's Pneumatic Casters are designed for applications that require a cushioned ride, including but not limited to carts and trucks carrying sensitive materials and parts, glass, ceramics, electronics, chemicals, sound & lighting equipment, movie production equipment (ie: cameras), etc. Pneumatic casters are also useful on uneven floors and outdoor environ-

ments. Other applications may include luggage carts, platform trucks, material handling carts, warehouse and factory applications, job site tool boxes, security cages, stock carts, shelf trucks, mobile storage racks, etc.

## Economical Pneumatic Casters



46-FNB-1041-S-E

Our Economical Pneumatic Casters feature a cold forge top plate yoke and button that are heat treated for added service life. This caster is ideal for both indoor and outdoor applications where product protection is required.



46-FNB-0828-S-E

Pneumatic wheels offer maximum floor protection and move freely over obstructions and rough floors. The wheels provide smooth, shock-resistant operation for delicate instruments and breakable components. All swivel sections are equipped with a lubrication fitting for field maintenance. Ball bearings provide maximum rolling ease and quiet operation for medium to heavy duty loads.

# Caster Descriptions

RWM's Economical Pneumatic Casters are designed for applications that require a cushioned ride, including but not limited to carts and trucks carrying sensitive materials and parts, glass, ceramics, electronics, chemicals, sound & lighting equipment, movie production equipment (ie: cameras), etc. Pneumatic casters are also useful on uneven floors and outdoor environments. Other applications may include luggage carts, platform trucks, material handling carts, warehouse and factory applications, job site tool boxes, security cages, stock carts, shelf trucks, mobile storage racks, etc

## SA (Shock Absorbing) Casters

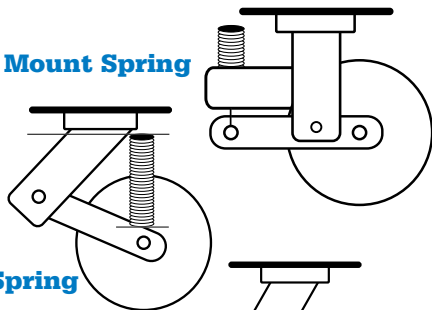


65-DUR-0825-S-VMS-500

RWM's Shock Absorbing (SA Series) Casters reduce stress on wheels and rigs due to shock from rough surfaces. These industrial casters dampen and isolate shocks and vibration from rough surfaces to protect cargo or contents in a cart or equipment. Our Shock Absorbing Casters reduce noise caused by casters traveling over rough surfaces. These casters equalize the load over uneven terrain among four or more casters, thereby reducing overloads on casters and twisting of the cart or frame. Our Shock Absorbing Casters feature either vertical mount springs, outside mount springs or inside mount springs.

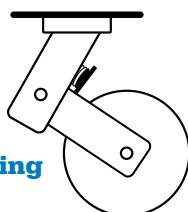
RWM's Shock Absorbing Casters are unique casters that were designed for specific applications and industries requiring a cushioned ride for protection from shock and vibration (spring loaded). These industrial casters are ideal for diagnostic and electrical equipment, institutional and laboratory equipment and stands, medical equipment and carts, mobile workstations, computer main frames and towers, point of purchase displays and shelving, food processing equipment, packaging equipment, sound and lighting equipment, ground support equipment, assembly line dollies, mobile storage racks and many other light to heavy duty applications. The Shock Absorbing Casters load ratings vary from 100 to 20,000 pounds.

Vertical Mount Spring



Outside Mount Spring

Inside Mount Spring



## S27, S45, S65, S75 Stainless Steel Casters



S45-SWB-0620-S

RWM's Stainless Steel Casters feature stainless steel that is highly resistant to conditions that would normally corrode and rust regular zinc plated steel casters.

Our Stainless Steel Casters are ideal for wet or damp conditions and harsh environments that may rust or corrode standard zinc casters.



S65-GTB-0620-S-EP

These casters are well suited for rugged duty and are designed for wash-down applications such as food processing plants, food service equipment, large volume high temperature bakery and food cooking facilities, bakery and bread racks, slaughter houses, fisheries, seafood processing plants, stock and maintenance carts, ingredient bins, institutional service carts and equipment, hatcheries, pharmaceutical plants and laboratories.



S75-GTB-0625-S-SSBB-WTHB

View  
CAD Models  
On Our  
Website!

## Textile Industry Casters Rol Kleen RK Series, WT Series



RK-GTB-0615-S

RWM's Textile Industry Casters are designed to reduce the amount of thread buildup and reduce the time required to service casters used in this demanding application.



WT-GTB-0515-S

# Wheel Descriptions

## Cast Iron Wheels (CI)



CIR-0615-19

RWM Cast Iron Wheels are extremely long wearing. They provide excellent resistance to shock and are a good choice for heavy loads in manufacturing and warehousing, especially on rough concrete, wood block and other rough surface conditions.



CIR-0620-19

RWM Cast Iron Wheels are made of much stronger material than inexpensive semi-steel wheels offered by many other wheel manufacturers. These cast iron wheels can withstand high temperatures and exposure to water or the environment. They will rust over time. Cast iron wheels can also withstand exposure to chemicals, grease, oils, etc.



CIR-0830-31

Temperature Range: -40 to +800° Fahrenheit

## Durastan Wheels (DU): Phenolic Wheels



DUR-1030-16

Durastan Phenolic Wheels are made from macerated cotton canvas and mixed with a quality premium phenolic resin compound. They are molded under high pressure under controlled conditions to produce a maximum density, superior strength product. Durastan Phenolic Wheels are extremely hard 90 Shore D, and roll very

easily. They are not as loud as steel wheels and provide better floor protection.

Durastan wheels are a very popular wheel and are used in a wide range of industrial applications including manufacturing, warehousing and bakeries. Durastan phenolic wheels are very economical. They are capable of withstanding heat ranges from -50 to 250° Fahrenheit. Special high temperature Durastan phenolic wheels are available for -45 to 475° Fahrenheit applications found in industrial bakeries and other high temperature applications.

Extra heavy-duty laminated Durastan phenolic wheels are also available. They offer a 25% higher rated capacity and added shock load capacity. All Durastan phenolic wheels are resistant to oils, grease, gasoline and most commonly used chemicals and water. Durastan phenolic wheels are not recommended for submerged or constant wet environments. Durastan phenolic wheels should not be towed at high speeds or used on poor or damaged floor surfaces.

## Elastomeric High Tensile Non-Marking Rubber Wheels (Non-marking EHT on Aluminum)



RAB-0820-08-EHT-NM

RWM Elastomeric High Tensile Rubber Wheels are incredible molded rubber wheels. The high quality high tensile premium rubber is bonded to a heavy-duty solid web cast iron core. These wheels are rated at 200% more than normal molded rubber wheels. This rubber wheel will not crack, chunk, dry out or debond. These elastomeric high tensile rubber wheels are excellent for towing

applications in both indoor or outdoor environments. These rubber wheels can be used at higher rated towing speeds than other wheels. Please contact the factory for additional information.

RWM Elastomeric High Tensile Rubber Wheels provide excellent floor protection, are quiet and roll easily over debris. They will not mark floors. They are an excellent caster for large assembly plants, freight terminals, automotive plants, and continuous use operations.

## Elastomeric High Tensile Rubber Wheels (EHT on Iron)



RIR-0830-31-EHT

RWM Elastomeric High Tensile Rubber Wheels are incredible molded rubber wheels. The solid core provides superior strength and the rubber does not chunk out. These rubber wheels perform well at 200% of normal molded rubber capacity and are excellent for towing

applications. These elastomeric high tensile rubber wheels may mark floors. These lighter rubber wheels reduce the weight of carts and increase amount of loads that carts can carry. RWM Elastomeric High Tensile Rubber Wheels may be the best all purpose towing wheel in the industry.

## Forged Steel Wheels (FS)



FSR-0830-31

RWM Forged Steel Wheels are hot forged from medium carbon steel providing maximum strength and durability. These wheels are virtually indestructible within their capacity range. Forged Steel Wheels can be used in the roughest, most demanding, abusive applications on the poorest floors under the heaviest of loads. These forged steel wheels should not be confused with ductile iron or heavy-duty cast iron wheels offering both lower cost and reduced capacities. Forged Steel Wheels are the only choice when extra heavy duty loads on poor floor conditions need to be moved safely.

Temperature Range: -50 to +800° Fahrenheit

## Hard Rubber Wheels (HR)



HRO-3512-06

RWM Hard Rubber Wheels are used where low cost, easy rolling wheels are required. Hard Rubber Wheels offer good floor protection, are quieter than steel wheels, and are strong and chip resistant. Hard Rubber Wheels have a center line located in the middle of the tread. This center line, even when removed as close as possible, can cause damage to soft inexpensive floors. Hard Rubber Wheels can become brittle over time, and more so when exposed to outdoor elements. Hard Rubber Wheels can crack when dropped from limited heights or subjected to impact or shock.

Temperature Range: -30 to +160° Fahrenheit

## High Temperature Glass Filled Nylon Wheels (HN)



HNR-0620-19

Our HN High Temperature Glass Filled Nylon Wheels are molded from reinforced nylon specifically designed to withstand high temperatures and provide excellent wear resistance. These nylon wheels can be used continuously at 350° Fahrenheit and intermittently up to 550° Fahrenheit.

High Temperature Glass Filled Nylon Wheels are able to handle high load capacities and have excellent impact resistance at room temperature. These high temp nylon wheels are highly resistant to water, cooking oils, fats, petroleum based products, common cleaning solutions, solvents, acids and salt.

These high temperature nylon wheels outlast and outperform all other high temperature wheels. They can be used in bakeries, smokehouses, curing ovens, autoclaves, mobile powder coating racks and other high temperature applications.

85 Shore D Durometer  
Temperature Range: -40 to 550° Fahrenheit

## Infinity Wheels



UIB-0830-12-INF

RWM Infinity Wheels have exceptional abrasion resistance, high tear strength and up to ten times the life of natural rubber wheels under similar loads and conditions. Load capacities are greater than similarly designed wheels, enabling the use of a smaller diameter wheel if required. Excellent for towing applications.



UIB-0820-12-INF

Our Infinity wheels are resistant to a wide range of oils, greases and chemicals, but are sensitive to hydrolysing agents such as hot water, steam and hot moist air, strong acids and alcohols. They offer excellent recovery from long periods of heavy static loading combined with low rolling resistance and floor saving capabilities

## Mold-On Rubber Wheels (RI)



RIR-0830-16

RWM Mold-On Rubber Tread Wheels are constructed by molding high quality rubber to cast iron cores. All RWM Mold-On Rubber Wheels are floor protective, provide long tread life, are quiet in operation and are highly resilient.

Mold-on Rubber Wheels are suggested for use on all types of floors and numerous applications. The standard RWM Mold-On Rubber tread is 75 Shore A durometer. Mold-On Rubber Wheels are popular and used in principally inexpensive applications such as trash containers, platform trucks, lumber carts and many manually pushed low cost applications. These wheels should be replaced as soon as they start to crack, chunk or tear apart. They do not handle overloading or towing. Although economical, the RWM Mold-On Rubber Wheel utilizes a higher-grade rubber tread material that significantly outperforms wheels produced by other manufacturers.

75 Shore A Durometer  
Temperature Range: -40 to +160° Fahrenheit

## Nylatron HD Wheels



NYB-0620-12

RWM Nylatron HD Wheels are as strong as steel. These wheels are EXTREMELY heavy duty wheels designed for severe loads. They have great rollability and are easier on floors than steel and iron wheels. Nylatron HD Wheels do not chunk or separate under extreme applications.

They are resilient against high temperature buildup from bearings and friction. These wheels are not for use in heavy acidic or base environments.

Temperature Range: -40°F to +300°F

# Wheel Descriptions

## GT (Solid Elastomer) Wheels



GTB-0820-08

The GT wheel is a high performance wheel that combines the toughness of blended elastomers and quality steel with the advanced wheel design to carry heavy loads without component breakdown. It will resist most chemicals in industrial and institutional environments.

The GT wheel will perform continuously for extended periods on all surfaces and under all conditions. This wheel provides excellent rollability with minimum effort. It will absorb impacts without damage that would shatter other wheels. The GT will perform under the most extreme temperatures, almost entirely maintenance free, and will roll mile after mile with virtually no tread wear.

75 Shore D Durometer

Temperature Range: -40° to +275° Fahrenheit

Available with Sealed Precision Ball Bearing Only

## Performance TPR Wheels (RP)



RPR-0820-19

Performance TPR Wheels are specially engineered to provide unsurpassed durability and reliability. This premium wheel combines the durability of a hard tread wheel with the quiet floor protection of a soft tread wheel. They are made of a thermoplastic elastomer that is permanently bonded to a polypropylene core and will not mark floors. The Performance TPR Wheel is resistant to chemicals, acids, bases, alcohols, salts and steam. This attractive wheel accommodates a large number of industries and a limitless number of applications such as hospitals, schools, restaurants, factories, warehouses and shop floors.

The Performance TPR Wheel tread material can be made to various durometers. The RWM Performance Wheel is made to 40 Shore D. This harness provides all of the benefits of a soft rubber wheel while additionally providing the lowest breakaway force and minimal force to pull results. Performance Wheels are extremely resilient and easily rolls over debris and uneven surfaces.

These wheels are becoming very popular in institutional, food service, retail display and all types of industrial and manufacturing environments. Performance wheels are available in both flat and round treads. The flat tread provides maximum load surface while the round tread provides easy turning.

40 Shore D Durometer

Temperature Range: -45 to +120° Fahrenheit continuous, 180° Fahrenheit intermittent

## Pinnacle Glass Filled Nylon Wheels (PN)



Pinnacle Wheels

Pinnacle Glass Filled Nylon Wheels are ultra-tough thermoplastic non-marking wheels that are extremely durable and deflect floor debris with very high impact resistance. Pinnacle Glass Filled Nylon

Wheels roll easily and are able to handle high load capacities requiring far less force to roll than other hard tread wheels. This very economical nylon wheel is resistant to water, most chemicals, solvents, salts and steam cleaning. Pinnacle Nylon Wheels are available with roller bearings, iolite, celcon or plain bores and are standard black in color.

85 Shore D Durometer

Temperature Range: -40 to +350° Fahrenheit

## Machined Steel Flanged Wheels (FF)



FFP-0520-10-S

RWM Casters Machined Steel Flanged Wheels are designed with the most gruesome applications in mind. These industrial track wheels optimize production flow by running on tracks instead of the production floor itself, preventing damage to your floors and aiding in rollability. Capable of handling the largest loads, these wheels are the best solution to move the heaviest of projects and are proudly Made in the USA! RWM's machined steel flanged wheels are induction heat treated for extended service life and long term abuse.

Temperature Range: -50° to +800°F

## Pneumatic Wheels (FN)



FN-1648-20

RWM Pneumatic wheels offer optimum floor protection and move freely over obstructions and rough floors. Pneumatic wheels provide smooth, shock resistant operation for delicate instruments and breakable components. Pneumatic Wheels can be used for both indoor and outdoor applications where product protection is required. They are excellent for use on carts and platform trucks for industrial commercial and institutional applications requiring a cushioned ride. Pneumatic wheels are great for carrying electronics, sound and lighting equipment, glass, ceramics, chemicals, fragile retail goods and as an all around good wheel on general duty carts for almost all light and medium duty applications.

## Polyolefin Wheels (PO)



POR 0820-12

Polyolefin wheels are an excellent low cost wheel. Polyolefin is a very durable plastic material. It has superior resistance to water and chemicals. It has better abrasion resistance than hard rubber and a remarkable ability to withstand impact. Polyolefin wheels can be used in a wide range of applications including bakeries,

meat processing and packaging, dairies, food processing, laundries, supermarkets, offices, warehousing and manufacturing.

Most sizes of polyolefin wheels have a slightly crowned tread offering excellent rollability and maneuverability. Various sizes, bores and bearings are available for our polyolefin wheels. Our standard color is black, but it can be ordered in white.

## Soft Rubber Wheels (SR)



SRO-3512-06

RWM Soft Rubber Wheels are a good choice for those applications where the average load is light with occasional loads using the full capacity of the wheel. Soft Rubber Wheels are manufactured of quality materials with a resilient rubber tread bonded to the hard rubber core. These rubber wheels are

an economical choice for moving equipment.

Soft Rubber Wheels offer floor protection but can leave black marks on floors. Soft Rubber Wheels wear on rough surfaces and can become brittle if left outdoors, exposed to the elements. Economical in smaller sizes, soft rubber wheels become more expensive in larger sizes, especially when premium rubber material is used.

Temperature Range: -40 to +120° Fahrenheit

## Torus Wheel™ (UA)



UAB-0621-08

The Torus Wheel™ is an exceptional wheel for continuous towline applications. It was developed specifically for automotive manufacturing assembly lines. RWM's premium PTMEG urethane is both chemically and mechanically bonded to a strong aluminum core. This prevents tread separation and ensures maximum service life especially in demanding continuous use applications.

The Torus Wheel™ has an aluminum core that provides a lightweight, long-lasting attractive alternative to cast iron.

(Torus Wheel™ continued) This wheel offers excellent floor protection, noise reduction and is able to roll over small debris.

80 and 92 Shore A Durometer

Temperature Range: -40 to +180° Fahrenheit

Available with Sealed Precision Ball Bearing Only

## Urethane on Polypropylene Wheels (UP)



UPR-0820-19



UPR-0520-19

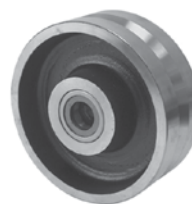
Urethane on Polypropylene Wheels are very popular, attractive, lightweight and extremely durable wheels used in countless applications. The combination of both materials provides for a long lasting, longwearing wheel that is impervious to water (including salt water), resistant to oils, grease, most solvents and chemicals. These polyurethane wheels are typically used in commercial, industrial and food service applications.

The polyurethane tread is non-marking and offers a quiet ride, floor protection and excellent capacity ratings. These polyurethane wheels have a slight crown so that they maneuver very well. They are used in large numbers in the retail industry, shopping carts, platform trucks, etc. and can be washed down offering excellent sanitary applications. The polyurethane is mechanically bonded to a high-density polypropylene core. This mechanical bond eliminates bond separation in wet or submerged conditions. These polyurethane wheels provide a smooth ride over rough surfaces.

95 Shore A Durometer

Temperature Range: -40 to +175° Fahrenheit

## V-Groove Wheels (VF and VI)



VFT-1040-20

RWM V-Groove Wheels are high strength cast iron (VI) castings or forged steel (VF) forgings machined with a 90° groove for operation on an inverted angle iron track. These wheels are used to control the flow of a load, i.e., into an oven, between machines, over long distances or where "production line" sequence is required.

Care must be made to assure the inverted angle iron track is parallel to ensure smooth and constant tracking. In some cases it may be advisable to run inverted angle iron on one side with V-Groove wheels and flat bar stock steel on the other side with a flat faced cast iron or forged steel wheel.

# RWM Testing Capabilities

## RWM Casters Company Testing Capabilities

RWM has the ability to test casters and wheels using various testing platforms that allow us to verify fit, function, durability and the feasibility of new designs. The following is an example of those capabilities.

### SHOCK ABSORBER TESTING:

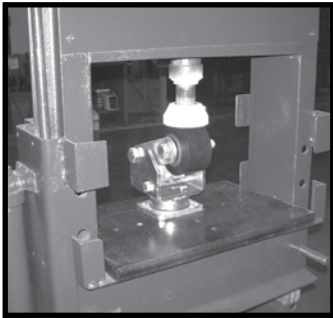


Figure 1

Starting with the basics, we have two (2) 10-ton manual hydraulic presses (see figure 1), which can reach up to 22,000 lbs of pressure. These presses are used to test shock absorber spring rates and ride heights. They are also used for testing the rebound capabilities of various wheel materials.

Placing the complete caster in the hydraulic press and taking measurements before and after pressure is applied tests spring rates and ride heights. This information is used to monitor existing processes and to assist engineering with new product development.

### REBOUND TESTING:

Testing the rebound properties of various types of wheel materials is also accomplished using the hydraulic press. The specimen is attached to the machine bedplate, pressure is then applied to the wheel for a specified length of time depending on what type and size of wheel is being tested. The wheel is then removed and inspected. The wheel should return to its original shape after a given period of time. Footprint measurements can also be taken to calculate ground pressure.

### ADHESION TEST:



Figure 2

Another testing platform is the adhesion test machine (see figure. 2). This machine uses force to separate the tread from the wheel core and is used to determine if the tread is attached properly to the core. The specimen is cut in such a manner that a 5-inch flap of the tread material is created, which is then clamped in the tester vise. The wheel is then mounted to the machine and the operator begins the test. The machine removes the

tread from the wheel core by moving the wheel away from the vise using an electric motor to turn a ball screw at a rate of 6 inches per minute. The vise is attached to a cylinder, which has a pressure gage (PSI) to measure the resistance of the pull force during the test. The

operator monitors the pressure gage and the results are compared to the RWM Adhesion parameters to determine if the sample passed or failed the test

### DROP TEST:



Figure 3

The drop test is used to verify the integrity of the caster's swivel function (see fig. 3). A solid steel type wheel is used in the caster and the caster is mounted to the test stand. A 25 lb. weight is allowed to free fall onto the wheel of the caster starting at 1ft. and continuing to 10 ft., or failure, whichever occurs first. The caster is inspected for function between each drop and the results are documented.

### DRUM TEST WITH OBSTACLE:

The Drum tester (See fig 4), is used to verify the integrity of the wheel tread and bearings simulating real world conditions. The machine uses a steel-rotating drum that



Figure 4

has a circumference of 10.9956 feet, that is turned with a electric motor that can be adjusted from 1 MPH to 15 MPH. Various size steel plates can be mounted to the drum to act as obstacles. The thicknesses of the plates are approximately 2.19% of the wheel diameter and are chamfered on the side that impacts the wheels. They are spaced so that they impact the wheel every 6 feet of travel.

The casters are mounted to plates that are attached to cylinders located above the rotating drum. The cylinders apply pressure to the caster keeping them in contact with the rotating drum. The cylinder pressure can be adjusted depending on the type and size of wheel being tested. The length of time the wheels are in contact with the drum can also be controlled. The test normally runs for two (2) hours with the wheel contacting the drum for three (3) minutes, and then resting off of the drum for one (1) minute. This cycle is repeated for the duration of the test. The test is concluded after 2 hours or if a failure occurs. The maximum diameter wheel that can be tested is 12 inches and the maximum pressure that can be applied is 5000 pounds.

## DRUM TEST ENDURANCE:

The endurance test is similar to the obstacle test. The steel obstacles are removed and the test is run for 8 hours, or until the wheel fails, whichever occurs first.

## CART PUSH/PULL TEST:

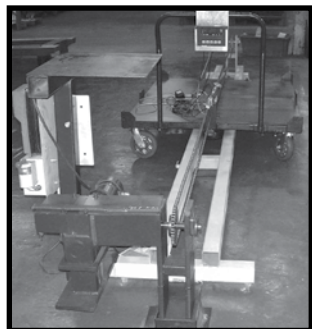


Figure 5

This test is used to calculate the average force needed to move a cart loaded with various weights and having different caster orientations. The cart is constructed of mild steel and measures approximately 4 x 5 feet and weighs 500 pounds (See fig 5). We have an additional 1500 pounds of weight, which can be added to the cart for a total of 2000

pounds. The cart is contained by guide rails, which keep the cart from leaving the test platform. The push handle end of the cart is attached to an electric motor by means of an "S" type load cell which measures resistance in pounds, equal to the force needed to move the cart. The load cell is then attached to a computer that gathers the data during the testing phase. The cart is initially tested at the cart weight of 500 pounds. Weight is then added in 500-pound increments until we reach 2000 total pounds. We test the casters to determine how much force it takes to move them in both directions which is called rolling resistance. We also test the swivel capability of the casters to determine the breakaway force needed to move them from various positions, such as 90 degrees to the cart axis and opposing one another. This test is used to simulate real world conditions the data collected is analyzed by our engineering group who then uses this information to determine the proper application for various types and combinations of wheels and casters. Special tests can be scheduled to accommodate customer requirements.

## C.F.T.M.A. TEST:



Figure 6

The CFTMA testing platform is a custom made piece of equipment that was constructed to perform durability testing of swivel casters (see fig. 6). The caster is mounted to the adaptor plate. An air cylinder applies a vertical load that is the maximum load rating for

that particular caster and wheel combination, the slider mechanism moves the table of the test machine back and forth 4.5 ft. in each direction in a straight line

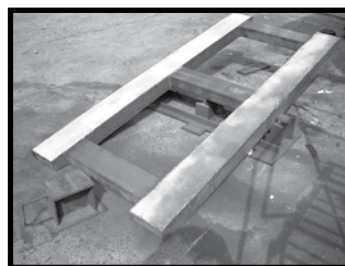
underneath the wheel of the caster. Each time the table reverses direction the caster indexes 180 degrees. A cycle is completed once the table has moved the 4.5 ft. in one direction and then reverses and moves 4.5 ft. in the opposite direction. The test machine is run at a rate of 17 cycles per minute for an eight (8) hour time period or until the caster fails. At the completion of the test the wheel and casters are examined to meet RWM quality parameters.

## MATERIAL HARDNESS TESTING:



We have the capability to inspect the hardness of various types of materials using our Wilson Rockwell Testing Machine and our Shore Type Durometer.

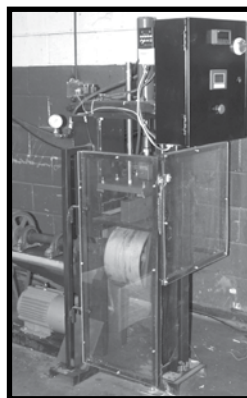
## BRAKE TEST RAMP:



can be slanted up to 11.5 degrees.

This device allows RWM to test the holding power of a braking system. Four casters are mounted to the bottom of the cart, which is then loaded to the desired weight. The brakes are engaged and the ramp

## VARIABLE (HIGH SPEED) DRUM TEST MACHINE:



The test apparatus consists of a computer-controlled rotating drum assembly and a pneumatic piston. The caster is mounted to the bottom of the piston and is pressed into the rotating drum assembly. Using this system, RWM can test any caster under a myriad of different situations by varying the load on the caster and the speed at which the drum rotates.

**OTHER TESTING:** In addition to the testing listed above, we can perform additional tests if required including but not limited to: Chemical Composition Analysis, Metallographic Examination, Microhardness Profile and various structural testing protocols.



# Cart Design & Wheel Patterns

## Caster Combinations for Trucks

There are several effective caster combinations that may be used in manufacturing, repairing and refurbishing material handling equipment. Various types of mountings are illustrated below.

### 4 Wheel Non-Tilt (All Swivel Casters)

This cart combination can be maneuvered in any direction. It is ideal for confined areas, but needs swivel locks for traveling long distances in a straight line or for use on ramps. This combination is excellent for use where side motion is frequently needed. This four swivel caster arrangement is the most versatile.



### Two Swivel Casters, Two Rigid Casters

This cart combination is the most popular and is the most practical and inexpensive arrangement for straight and/or long distances. It is easily turned or pushed straight and it trails well also. It can be used for heavy or medium loads depending on the weight capacity of the casters selected.



### 4 Wheel Diamond Tilt Mount (All Rigid Casters)

This tilt mount combination is the most economical, but is best suited for lighter loads. A tilt mounting rotates or pivots on the center wheels. This design cannot be pushed sideways. The tilt is best when the load wheels are 1/8" taller than the balance wheels. This combination is not recommended for use on ramps.



### 4 Wheel Diamond Mount (Two Swivel Casters, Two Rigid Casters)

This caster combination is highly maneuverable and will rotate in its own length. This mounting is not recommended for ramps.



### Wagon (Fifth Wheel Steering)

This trailer combination features large axle mounted wheels for heavy loads, and is usually power drawn.



### 6 Wheel Tilt or Non-Tilt (Four Swivel Casters, Two Rigid Casters)

This caster combination is a level mounting design and is recommended for heavy loads and extra long trucks. The two rigid casters help to distribute and reduce the load on the swivel units and thereby maintain good maneuverability and easy steering. It turns on its own length. The casters on the corners provide stability.



## Material Handling Ergonomics

### Improved Ergonomics May Reduce Injuries

Annually, back injuries in the workplace cost American industry up to \$14 billion in worker compensation costs and result in approximately 100 million lost workdays, according to the National Institute for Occupational Safety and Health (NIOSH). Furthermore, up to 30% of

all worker's compensation claims deal with manual materials handling incidents, says Jim Galante, communication chairman for the Ergonomic Assist Systems and Equipment (EASE) Council of Material Handling Industry of America (MHIA).



With those statistics in mind, the Lift Manufacturer's Product Section (LMPS), a trade association of MHIA, has developed a checklist of ergonomic principles for manual handling tasks designed to help companies reduce the chance of worker injury.



## Ergonomic Principles for Manual Handling Tasks

### Minimize Significant Body Motions

1. *Reduce Bending Motions*  
*Eliminate the need to bend by:*
  - \* Using lift tables, work dispensers and similar mechanical aids
  - \* Raising the work level to an appropriate height
  - \* Raising or lowering the worker
  - \* Providing all material at work level
  - \* Keep materials at work level (e.g., don't lower anything to the floor that must be lifted later)
2. *Reduce Twisting Motions*  
*Eliminate the need to twist by:*
  - \* Providing all materials and tools in front of the worker
  - \* Using conveyors, chutes, slides, lifts or turntables to change direction of material flow
  - \* Providing adjustable swivel chairs for seated workers
  - \* Providing significant workspace for the whole body to turn
  - \* Improving the layout of the work area
3. *Reduce Reaching-Out Motions*  
*Eliminate the need to reach by:*
  - \* Providing tools and machine controls close to the worker to eliminate reaches over 16 inches
  - \* Place materials, workplaces and other heavy objects as close to the worker as possible
  - \* Reducing the size of cartons or pallets being loaded or allowing the worker to walk around them, rotate, raise or lower them
  - \* Reducing the size of the object being handled
  - \* Allowing the object to be kept close to the body (i.e. scissor lifts)

### Reduce Object Weights/Forces

1. *Reducing Lifting and Lowering Forces*  
*Eliminate the need to lift or lower manually by:*
  - \* Using lift tables, lift trucks, cranes, hoists, balancers, industrial manipulators, drum and barrel dumpers, elevating conveyors and similar mechanical aids
  - \* Raising the work level, lowering the operator or using gravity dumps and chutes  
*Reduce the weight of the object by:*
  - \* Reducing the size of the object (specify size to suppliers)
  - \* Reducing the capacity of the containers and the size of the container itself
  - \* Reducing load in the containers (administrative controls)

- \* Reducing the number of objects lifted or lowered at one time (administrative controls)
- Increase the weight of the object so that it must be handled mechanically:*
- \* the unit load concept (such as bins or containers, preferably with fold down sides rather than smaller totes and boxes)
  - \* Use palletized loads

#### *Reduce the hand distance by:*

- \* Changing the shape of the object
- \* Providing the grips or handles
- \* Providing better access to object (i.e. scissor lifts, turntables or tilters)
- \* Improving layout of work area

2. *Reduce Pushing and Pulling Forces*  
*Eliminate the need to push or pull by:*

- \* Using power conveyors
- \* Using powered trucks
- \* Using powered scissor lifts or turntables

#### *Reduce the required force by:*

- \* Reducing the weight of the load
- \* Using non-powered conveyors, air-bearings, ball caster tables, monorails and similar aids
- \* Providing good maintenance of floor surfaces, hand trucks, etc
- \* Treating surfaces to reduce friction
- \* Using powered scissor lifts

#### *Reduce the distance of push or pull by:*

- \* Improving layout of work area
- \* Relocating production or storage area

3. *Reduce Carrying Forces*  
*Eliminate the need to carry by converting to pushing or pulling:*

- \* Use conveyors, air bearings, ball caster tables, monorails, slides, chutes and similar aids
- \* Use lift trucks, two-wheel hand trucks, four-wheel hand trucks, dollies and similar aids

#### *Reduce the weight of the object by:*

- \* Reducing the size of objects (specify size to suppliers)
- \* Reducing the capacity of the containers
- \* Reducing the weight of the container itself
- \* Reducing the load in the container (administrative control)

#### *Reduce the distance by:*

- \* Improving the layout of the work area
- \* Relocating production or storage areas

# Swivel Locks

## SWIVEL LOCK (SL) DEMOUNTABLE SWIVEL LOCK (DSL) NOTCHED YOKE (NY)

Plunger type swivel locks are used where it is necessary to convert swivel casters into rigid casters for aided steering control.

Demountable swivel locks (DSL) are designed for field installation or replacement of swivel locks. The swivel caster must have a notched yoke (NY) for the demountable swivel lock to operate.

## PASSIVE SWIVEL LOCK (PSL)

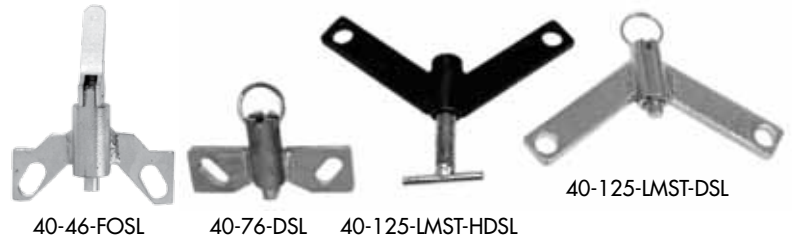
Designed to engage and disengage when a predetermined force is applied to the swivel caster. Call the factory for availability of these options on selected casters.

## HEAVY DUTY THREADED SWIVEL LOCK (HDSL)

Used in rugged applications where durability of swivel lock mechanism is required.

## FOOT OPERATED SWIVEL LOCK (FOSL)

Plunger is attached to a cam lever which engages and disengages lock with foot action.



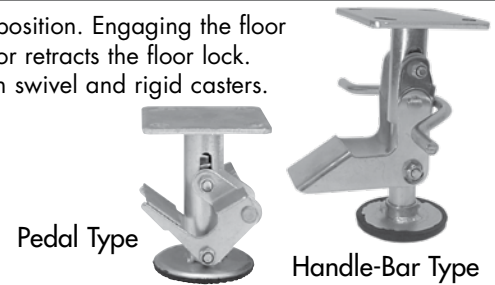
# Floor Locks

Floor locks prevent portable equipment from shifting or creeping when in the locked position. Engaging the floor lock is accomplished by depressing the foot pedal. Depressing the kick bar releases or retracts the floor lock. For best results under most conditions, floor locks should be installed in pairs between swivel and rigid casters. It is possible to maintain adequate locking if mounted between two swivel casters.

## Features

**Standard Top Plate:** 4" x 4-1/2" with bolt hole spacing slotted from 2-5/8" x 3-5/8" to 3" x 3". Mounting bolt size is 3/8"

**Finish:** Zinc Plated



### SPECIFICATIONS

Wheel Diameter	Overall Operating Height	Retracted Height	Model Number	Weight in Pounds	For use with Caster Series:
<b>HANDLE-BAR TYPE FLOOR LOCK</b>					
3-1/2"	4-11/16"	3-11/16"	FL-35*	2.5	27
4"	5-5/8"	4-5/8"	FL-4	3.7	40, 46, 47, 65
5"	6-1/8"	5-1/8"	FL-5-1	4.5	40
	6-1/2"	5-1/2"	FL-5-2		46, 47, 65
	6-3/4"	5-3/4"	FL-5-3		70, 46 w/opt. 6-3/4 OAH
6"	7-1/4"	6-1/4"	FL-6-1	4.7	40, 46 and 47 w/opt. 7-1/4" OAH, 52 w/5" wheel
	7-1/2"	6-1/2"	FL-6-2		46, 47, 65, 52 w/ 7-1/2" OAH
	7-3/4"	6-3/4"	FL-6-3**		52, 53, 54, 70
8"	9-1/2"	8-1/2"	FL-8-1	5.1	46, 47, 65 w/opt. 9-1/2" OAH
	9-3/4"	8-3/4"	FL-8-2		52, 54
	10-1/8"	9-1/8"	FL-8-3		65, 70, 75
	10-1/2"	9-1/2"	FL-8-4		54 w/opt. 10-1/2" OAH, 76, 85, 95
<b>PEDAL TYPE FLOOR LOCK</b>					
4"	5-7/8"	4-5/8"	FLA-4	3.7	40, 46, 47, 65
5"	6-3/4"	5-1/2"	FLA-5	4.5	46, 47, 65
6"	7-3/4"	6-1/2"	FLA-6	4.7	46, 47, 65
8"	9-3/4"	8-1/2"	FLA-8	5.1	46, 47, 65

### OPTIONAL MOUNTING PLATES

Optional Top Plate Number	Mounting Plate	Bolt Hole Spacing	Bolt Size
42-RT	4-1/2" x 6-1/2"	2-7/16" x 4-15/16" slotted to 3-3/8" x 5-1/4"	1/2"
43-RT	5" x 5-1/2"	4-1/8" x 4-1/2"	3/8"

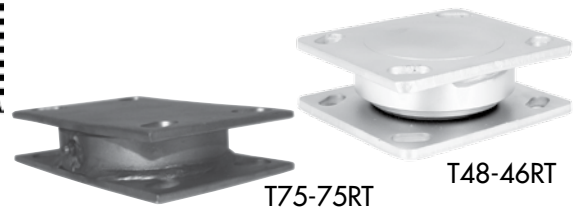
\* FL-35 has a 2-3/4" x 3-3/4" top plate with a bolt hole spacing of 1-3/4" x 2-7/8" slotted to 1-3/4" x 3". Mounting bolt size is 5/16".

\*\*FL-6-3 has a 4-1/2" x 6-1/2" top plate, bolt hole spacing is 2-7/16" x 4-15/16" to 3-3/8" x 5-1/4"

NOTE: Optional mounting plates only available on model numbers: FL-5-3, FL-6-1, FL-6-3, FL-8-2, FL-8-3 and FL-8-4.

# Turntable Swivel Sections

RWM incorporates our Kingpinless™ swivel design into turntable swivel sections. This heavy duty turntable is patterned after the popular Kingpinless™ series and is built to take continuous punishment from the toughest industrial applications. They are ideal for work stations, weld tables and material container stands.



## SPECIFICATIONS

Swivel Section	Mounting Plates	Overall Stack Height	Capacity lbs.	Max. Offset	Approx. Weight	Top Plate size	Bolt Hole Spacing	Optional Center Hole
47	T47-46RT(47STD)	1-1/16"	900	1-3/16"	2.6	4" x 4-1/2"	2-5/8" x 3-5/8" slotted to 3" x 3"	1"
	T47-41RT	1-1/16"			3.8	4" x 5"	2-5/8" x 3-5/8" slotted to 3" x 4"	
	T47-42RT	1-1/16"			4.8	4-1/2" x 6-1/2"	2-7/16" x 4-15/16" slotted to 3-3/8" x 5-1/4"	
	T47-43RT	1-1/16"			4.9	5" x 5-1/2"	4-1/8" x 4-1/2"	
48	T48-46RT(STD)	1-9/16"	1200	1-3/16"	3.4	4" x 4-1/2"	3/8" Dia. (2-5/8" x 3-5/8" slotted to 3" x 3")	13/16"
	T48-42RT	1-9/16"			5.1	4-1/2" x 6-1/2"	1/2" Dia. (2-7/16" x 4-15/16" slotted to 3-3/8" x 5-1/4")	
65	T65-41RT	1-9/16"	1500	1-3/16"	4.3	4" x 5"	2-5/8" x 3-5/8" slotted to 3" x 4"	1"
	T65-42RT	1-9/16"			5.3	4-1/2" x 6-1/2"	2-7/16" x 4-15/16" slotted to 3-3/8" x 5-1/4"	
	T65-43RT	1-9/16"			5.4	5" x 5-1/2"	4-1/8" x 4-1/2"	
	T65-46RT (65STD)	1-9/16"			3.13	4" x 4 1/2"	2 5/8" x 3 5/8" slotted to 3" x 3"	
	T65-54RT	1-13/16"			8.13	5-1/4" x 7-1/4"	3-3/8" x 5-1/4" slotted to 4-1/8" x 6-1/8"	
	T65-75RT	1-11/16"			6.5	4-1/2" x 6-1/2"	2-7/16" x 4-15/16" slotted to 3-3/8" x 5-1/4"	
75	T75-75RT	1-11/16"	4500	1-1/2"	7.1	4-1/2" x 6-1/2"	2-7/16" x 4-15/16" slotted to 3-3/8" x 5-1/4"	1-1/2"
	T75-76RT	1-13/16"	5200		10.7	5-1/4" x 7-1/4"	3 3/8" x 5 1/4" slotted to 4 1/8" x 6 1/8"	
	T75-90RT	2-1/16"	5200		14.1	6" x 7"	4-5/8" x 5-1/2" slotted to 4-3/8" x 5-5/8"	
	T75-95RT	2-1/16"	5200		15.4	6" x 7-1/2"	4-1/2" x 6" slotted 4-1/8" x 6-1/8"	
85	T85-90RT (85STD)	2-3/8"	7500	2-1/8"	17.5	6" x 7"	4-5/8" x 5-1/2" slotted to 4-3/8" x 5-5/8"	2"
	T85-95RT	2-3/8"			18.7	6" x 7-1/2"	4-1/2" x 6" slotted 4-1/8" x 6-1/8"	
	T85-LLRT	2-3/8"			41.1	8-1/2" x 11"	7" x 9-3/4"	
	T85-LMRT	2-3/8"			25.1	8-1/2" x 8-1/2"	7" x 7"	
*95	T95-95RT	2-1/2"	10,000	2-1/4"	22.1	6-1/4" x 7-1/2"	4-1/2" x 6" slotted 4-1/8" x 6-1/8"	1"
125	T125-LLRT	2-7/8"	30,000	3-1/2"	52.1	8-1/2" x 11"	7" x 9-3/4"	4"
	T125-LMRT (125STD)	2-7/8"			36.1	8-1/2" x 8-1/2"	7" x 7"	

\* When adding a Swivel Lock option, the Overall Stack Height will be 3".

All dimensions are in inches except for capacity, which is in pounds.

**Consult the factory for special mounting options and applications, and stainless steel options. Larger, higher capacity raceways are available. Contact factory for more information.**

### Features

**Raceway Design:** Patented Kingpinless™ single ball bearing precision machined raceway hardened to 53 Rockwell C minimum. All swivel sections are supplied with a lubrication fitting for field maintenance. See individual series section for more information.

**Mounting:** Choose an available mounting plate or specify a desired method. Some options include: stems, center holes, and tapped holes.

**Finish:** Laguna Blue paint. 47, 48 and 65 Series come standard zinc plated

### Options

- DSL** Demountable Swivel Lock\*
- HT** High Temperature Lubrication
- HTP** High Temperature Paint
- LT** Low Temperature Lubrication
- NY** Notched Yoke
- OM** Optional Mounting
- SL** Swivel Lock
- SR** Sealed Raceway
- SS** Stainless Steel (65, 75 only)
- ZP** Zinc Plated

\*When ordering the Demountable Swivel Lock (DSL), you must also order the Notched Yoke (NY).

UP TO 30,000 POUND CAPACITY

RWM's CargoMax™ is the strongest, most durable air cargo caster on the market. The CargoMax™ caster features an optional demountable foot guard built specifically for use on sorting decks. The foot guard prevents foot entry into the caster mounting hole on decks and assists in providing a safer, more productive working environment on sortation decks.

## Features

**Precision Ball Bearing:** All wheels and swivel raceways have precision ball bearings for better load distribution, strength in side thrust application, and ease of mobility.

**Dust Shield, Water Guard & Thread Guard:**

Prevents wheel and swivel assembly from becoming contaminated

**Capacity:** 500 lbs.

**Finish:** Zinc plated to protect against corrosion

## Benefits

CargoMax™ can take the heaviest blows from all types of cargo containers with the highest rated impact resistance in the air cargo industry, even under the most extreme conditions. It outshines the competition in endurance with exclusive features such as three sealed precision bearings, high strength thread and dust guards, high-strength polymer wheels and a rivet-protecting water shield.



26-USB-2713-S-TG-FG

26-USB-2713-S-TG

Available with optional foot guard

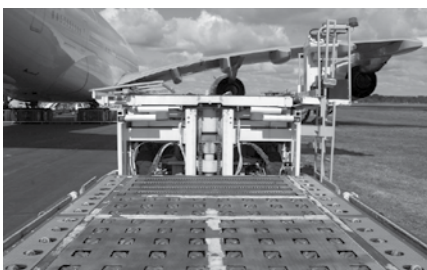
## Options

**FG** Foot Guard

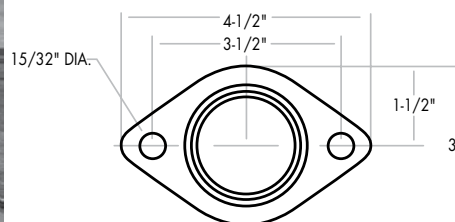
## SPECIFICATIONS

Wheel Diameter	Wheel Width	Wheel Type	Capacity lbs.	Overall Height	Ball Bearing	Swivel Lead	Approx Weight lbs.
2-5/16"	1-5/16"	Hytrel	500	3-25/32"	26-USB-2313-S-TG	1"	1.62
					26-USB-2313-S6-TG		1.62
					26-USB-2313-S-TG-FG		2.46
					26-USB-2313-S6-TG-FG		2.46
2-3/4"	1-5/16"	Hytrel	500	4"	26-USB-2713-S-TG	1"	1.71
					26-USB-2713-S6-TG		1.71
					26-USB-2713-S-TG-FG		2.54
					26-USB-2713-S6-TG-FG		2.54

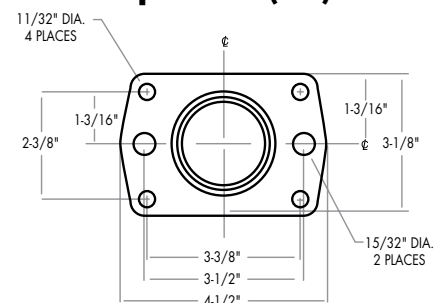
UP TO 500 POUND CAPACITY



### Standard Top Plate (S)



### Optional Rectangular Top Plate (S6)



This light duty air cargo caster has been optimally designed for air cargo and light duty conveyor applications. It features a heat-treated, hardened raceway for added durability and offers a 300 pound capacity. The light weight phenolic and nylon wheels offer high impact resistance, ease of rollability and resistance to moisture and chemicals. This caster includes a dust cap and thread guards.

## Features

**Raceway Design:** Hardened  
**Dust Shield, Water Guard & Thread Guard:** Prevents wheel and swivel assembly from becoming contaminated  
**Capacity:** True 300 lbs.  
**Finish:**  
 DUB = Zinc plated to protect against corrosion  
 NYB = Type II Gold zinc plated to protect against corrosion



26-DUB-0312-S-TG-LD

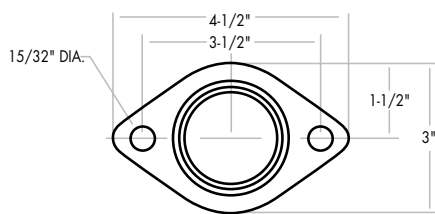
26-NYB-0312-S-TG-LD

## Applications

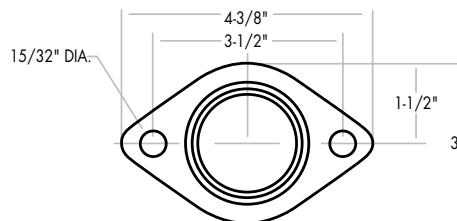
- Ideal for:
- \* airline and aerospace industry
  - \* light duty cargo handling
  - \* textile industry
  - \* conveyor applications
  - \* freight handling
  - \* cargo conveyor equipment

SPECIFICATIONS									
Wheel Diameter	Wheel Width	Wheel Type	DBL	Axle Diameter	Capacity lbs.	Overall Height	Ball Bearing	Swivel Lead	Approx Weight lbs.
3"	1-1/4"	Phenolic	1-5/8"	5/16"	300	4"	26-DUB-0312-S-TG-LD	1"	1.0
3"	1-1/4"	Nylon	1-5/8"	3/8"	300	4"	26-NYB-0312-S-TG-LD	1-1/4"	1.38

### Standard Top Plate for 26-DUB-0312-S-TG-LD



### Standard Top Plate for 26-NYB-0312-S-TG-LD



UP TO 300 POUND CAPACITY

The Office Product Casters are made to support and move heavy office equipment such as copiers, business machines, computers and computer storage devices, large printers, refrigerated displays and vending machines. The polypropylene wheel offers excellent floor and carpet protection, quiet operation and has excellent impact resistance.



OP-POP-0320-S

## Features

**Swivel Section:** Double ball bearing raceway

**Kingpin:** 1/2" diameter hydraulically pressed kingpin

**Axle:** 1/2" diameter

**Finish:** Zinc

**Wheels:** Only available in 3" diameter with plain bearing

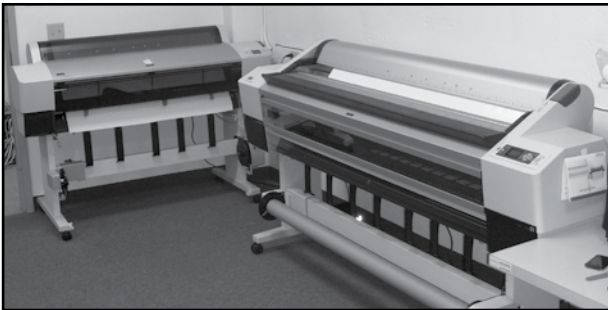
**Mounting Plate Size:** 3-1/8" x 4-1/8"

**Bolt Hole Spacing:** 2-3/8" x 3-3/8"

**Mounting Bolt Diameter:** 5/16"

## SPECIFICATIONS

Wheel Diameter	Wheel Width	Wheel Type	Capacity lbs.	Overall Height	Plain Bearing	Swivel Lead	Approx Weight lbs.
3"	2"	Polypropylene	550 lbs	4"	OP-POP-0320-S	2-1/2"	2.0



UP TO 550 POUND CAPACITY

The Locking Stem (LS) Scaffold Casters are made to accurately brake at various positions. The brake locks the wheel and swivel simultaneously. Serrations in the brake lever and top plate ensure stability.

## Features

**Swivel Section:** Cold forged double ball raceway. Swivel section is equipped with a lubrication fitting for field maintenance. Legs are made from 1/4" steel and are welded to the outer race both inside and out for added strength. The brake support brackets are an integral part of the leg stamping, not welded on. This ensures accurate brake lever positioning and provides a sturdier brake support structure. Stepping on the brake handle simultaneously locks the wheel and swivel assembly. The swivel lock portion uses serrations in the brake lever and top plate to ensure a positive lock.

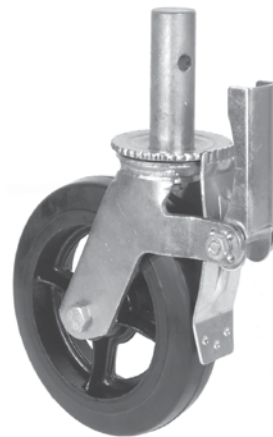
**Kingpin:** 5/8" diameter bolt and lock nut

**Stem:** 1-3/8" diameter 3-3/4" long with a 7/16" diameter hole drilled 2-5/16" up from the top plate

**Axle:** 1/2" diameter steel

**Finish:** Zinc plated to protect against corrosion

**Wheel:** Rubber on iron core with an axle lubrication fitting included



LS-RIR-0820-S-EC

SPECIFICATIONS							
Wheel Diameter	Wheel Width	Wheel Type	Capacity lbs.	Overall Height	Straight Roller Bearing	Swivel Lead	Approx Weight
6"	2"	Rubber on Iron	410 lbs	7-1/2"	LS-RIR-0620-S-EC	1-15/16"	10.0
8"	2"	Rubber on Iron	500 lbs	9-1/4" ±1/16"	LS-RIR-0820-S-EC	2-1/4"	12.0

**Also see our new Kingpinless Total Lock Casters on page 91.**



UP TO 550 POUND CAPACITY



The VersaTrac 27<sup>®</sup> Series casters provide solutions to a wide range of institutional and industrial applications. This caster is available in multiple styles and sizes. The VersaTrac 27<sup>®</sup> Series is offered in numerous top plates and stem choices and is available with nine standard wheel combinations. This is a durable and reliable caster. It includes extra thick material in the top plate, yoke and raceways. The VersaTrac 27<sup>®</sup> is heat treated for extended service life and comes standard with a metal dust shield. This series provides the ultimate in value at very competitive prices.

**Features**

**Swivel Section:** Two complete 2.75 mm shielded heat treated raceways, which prevents brinelling, provides improved swivel action and extends service life.

**Kingpin:** 1/2" diameter kingpin for increased swivel strength

**Axle:** 3/8" diameter with lock nut

**Finish:** Zinc plated to protect against corrosion

**Wheels:** A wide variety of 3" through 5" diameter available with either roller, ball, celcon, oilite or plain bearings

**Mounting Plate Size:**

**Swivel:** 3.5 mm x 2-5/8" x 3-3/4"

**Rigid:** 2.75 mm x 2-5/8" x 3-3/4"

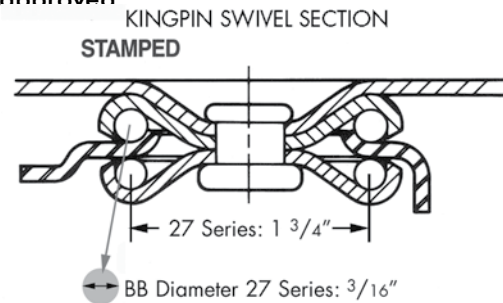
**Bolt Hole Spacing:** 1-3/4" x 2-7/8"

**Mounting Bolt Diameter:** 5/16"

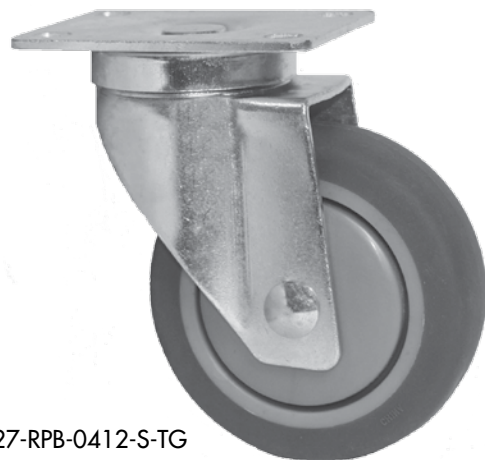
**Applications**

The VersaTrac 27<sup>®</sup> Series Caster is very popular, and accounts for nearly half of all institutional casters in use today. These casters are used extensively in general industry, medical equipment, laboratory, residential, hotel, industrial and manufacturing applications.

The VersaTrac 27<sup>®</sup> Series Casters are ideal for use in food service and food processing equipment, carts, dollies, bins, cases, racks, tables, commercial appliances, retail fixtures, display stands, business machines and equipment. Most VersaTrac 27<sup>®</sup> Series Casters are NSF approved



RIVET CROSS SECTION



27-RPB-0412-S-TG



27-RPR-0412-S



27-RPR-0412-R

**Options**

- ICWB** Field Installable Face Contact Brake\*
- SS** Stainless Steel
- TG** Thread Guard
- TLB** Total Lock Brake\*
- WB** Side Wheel Brake\*

\*Brakes available for swivel casters only



Available NSF Products:

All casters except those with thread guards, cast iron, elastic rubber or soft rubber wheels. Add "-N" to the end of the model number to specify an NSF approved caster. For example: 27-HNP-0312-S-N.

**OPTIONAL MOUNTING PLATES**

Optional Top Plate Number	Mounting Plate	Bolt Hole Spacing
ST1	3-1/8" x 4-1/8"	1-3/4" x 2-7/8" slotted to 2-3/8" x 3-7/16"
ST2	4" x 4-1/2"	2-5/8" x 3-5/8" slotted to 3" x 3"

UP TO 300 POUND CAPACITY

**SPECIFICATIONS**

Wheel Diameter	Wheel Width	Wheel Type	lbs. Capacity	Overall Height	Swivel Caster Model Number			Swivel Lead	lbs. Approx Weight
					Straight Roller Bearing	Ball Bearing	Plain, Oilite, Celcon Bearing		
3"	1-1/4"	Cast Iron	300	4-1/4"			27-CIP-0312-S	1-1/4"	2.8
		Hard Rubber	250				27-HRO-0312-S		1.8
		High-Temp. Nylon	300				27-HNP-0312-S		1.7
		Performance TPR	190			27-RPB-0312-S	27-RPC-0312-S		1.7
		Phenolic	250			27-DUB-0312-S	27-DUC-0312-S		1.7
		Polyolefin	250			27-POB-0312-S	27-POP-0312-S		1.5
		Soft Rubber	150				27-SRO-0312-S		1.8
		Urethane				27-UPB-0312-S	27-UPC-0312-S		1.8
		Polypropylene	225						
3-1/2"	1-1/4"	Hard Rubber	250	4-3/4"			27-HRO-3512-S	1-5/16"	2.0
		Performance TPR	200			27-RPB-3512-R	27-RPC-3512-S		1.9
		Phenolic	275			27-DUB-3512-S	27-DUC-3512-S		1.9
		Polyolefin	275			27-POB-3512-S	27-POP-3512-S		1.7
		Signature	225			27-SWB-3512-S			1.9
		Soft Rubber	150				27-SRO-3512-S		2.0
		Urethane	250			27-UPB-3512-S	27-UPC-3512-S		2.0
		Polypropylene							
4"	1-1/4"	Cast Iron	300	5-1/4"	27-EPR-0412-S		27-CIP-0412-S	1-5/16"	3.3
		Elastic Rubber	250						2.0
		Hard Rubber	260				27-HRO-0412-S		2.2
		High-Temp. Nylon	300				27-HNP-0412-S		1.8
		Performance TPR	275			27-RPB-0412-S	27-RPC-0412-S		1.9
		Phenolic	300			27-DUB-0412-S	27-DUC-0412-S		2.1
		Polyolefin	300			27-POB-0412-S	27-POP-0412-S		1.6
		Signature	250			27-SWB-0412-S			2.0
		Soft Rubber	180				27-SRO-0412-S		2.2
		Urethane				27-UPB-0412-S	27-UPC-0412-S		2.0
Polypropylene	275								

To order a rigid caster, change the "S" to "R" in the model number. For example, 27-UPB-0512-R. To order the rig only, omit the blue letters, for example 27-0512-S. Note: (1.) For weight of Total Lock Caster add .24 pounds. (2.) For weight of Rigid Caster deduct .7 pounds. (3.) Total Lock Wheel Brake should not be used on hard wheels. For best performance, use only on soft wheel material. Dimensions shown are nominal. If precise dimensions are required, please consult the factory. **Many stems and hollow kingpin sizes are available. Contact factory for more information.**



For our 27 Series

# Interchangeable Stem Casters

RWM also stocks hard to find and unusual Interchangeable Stems for our 27 Series Casters. Choose from our 7/8" x 2" square stem with holes, 7/16" x 1 1/2" threaded stem, 5/8"-11 x 1 3/4" threaded stem or our 3/4"-10 x 1 3/4" threaded stem. Ask for our 27 Series hollow kingpin rig and bolt on the stem you need!



MODEL	DESCRIPTION
<b>BOLT ON STEMS</b>	
116 Stem	7/8" x 2" Square Stem with holes
117 Stem	7/16" x 1 1/2" Threaded Stem
118 Stem	5/8"-11 x 1 3/4" Threaded Stem
119 Stem	3/4"-10 x 1 3/4" Threaded Stem
128 Stem	5/8" x 2-3/16" Grip Rings
129 Stem	13/16" x 2-3/16" Grip Rings
<b>RIGS</b>	
27-0312-S-HKP-1/2"	27 Series 3" x 1 1/4" with hollow kingpin 1/2"
27-0412-S-HKP-1/2"	27 Series 4" x 1 1/4" with hollow kingpin 1/2"
27-0512-S-HKP-1/2"	27 Series 5" x 1 1/4" with hollow kingpin 1/2"
10007030XX	Nut to assemble

UP TO 300 POUND CAPACITY

# 31 Series Casters

The RWM Casters 31 Series is perfect for a wide range of light duty industrial caster wheel, institutional caster wheel, material handling, and general purpose caster applications. The heavy duty zinc plate finish is both attractive and corrosion resistant. Swivel models provide greater maneuverability, while rigid models offer straight line mobility. Brake options are available on swivel models only.

The 31 Series general purpose casters are used in a variety of industrial applications and industries including furniture moving, electronics, medical equipment and stands, food service and institutional equipment and carts for hotels, resorts, hospitals, restaurants, schools and many other applications.

## Features

**Swivel Section:** Economical single ball bearing raceway used for most light duty applications

**Kingpin:** 1/2" diameter kingpin for increased swivel strength

**Finish:** Zinc plated to protect against corrosion

**Wheels:** A wide variety of 2" through 4" diameters available with plain bearings

## Applications

These 31 Series light duty casters are used in a variety of applications and industries including:

- ◆ furniture
- ◆ electronics
- ◆ medical equipment and stands
- ◆ food service
- ◆ institutional equipment and carts
- ◆ hotel/motel carts
- ◆ resorts
- ◆ hospitals
- ◆ restaurants
- ◆ schools and many other applications



31-POP-0312-S-WB

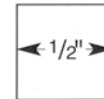


31-POP-2511-S

## Options

- WB** Side Wheel Brake on Swivel only (not available on the Cast Iron Wheels)

RIVET CROSS SECTION



27 Series  
31 Series



UP TO 400 POUND CAPACITY

SPECIFICATIONS							
Wheel Diameter	Wheel Width	Wheel Type	lbs. Capacity	Overall Height	Plain, Oilite, Celcon Bearing	Swivel Lead	Approx Weight
2"	13/16"	Cast Iron	150	2-1/2"	31-CIP-0208-S	3/4"	1.1
		Hard Rubber	125		31-HRP-0208-S		0.9
		Polyolefin	125		31-POP-0208-S		0.8
		Soft Rubber	125		31-SRP-0208-S		0.9
2-1/2"	1-1/8"	Cast Iron	200	3-1/4"	31-CIP-2511-S	15/16"	1.8
		Hard Rubber	160		31-HRP-2511-S		1.5
		Polyolefin	175		31-POP-2511-S		1.3
		Soft Rubber	175		31-SRP-2511-S		1.4
3"	1-1/4"	Cast Iron	250	3-13/16"	31-CIP-0312-S	15/16"	2.2
		Hard Rubber	200		31-HRP-0312-S		1.8
		Polyolefin	225		31-POP-0312-S		1.3
		Soft Rubber	210		31-SRP-0312-S		1.7
4"	1-1/4"	Cast Iron	400	5"	31-CIP-0412-S	1-1/8"	4.5
		Hard Rubber	350		31-HRP-0412-S		3.1
		Polyolefin	350		31-POP-0412-S		2.3
		Soft Rubber	240		31-SRP-0412-S		3.0

To order a rigid caster, change the "S" to "R" in the model number. For example, "31-CIP-0208-R". If precise dimensions are required, consult your RWM representative. For approximate weight of our rigid casters, deduct 0.8 pounds per item.

MOUNTING PLATES			
Wheel Size	Mounting Plate	Bolt Hole Spacing	Bolt Size
SWIVEL CASTERS			
2"	1-7/8" x 2-9/16"	15/16" x 2-1/8"	1/4"
2-1/2"	2-3/4" x 3-7/8"	1-3/4" x 3"	5/16"
3"	3-1/8" x 4-1/8"	2-3/8" x 3-3/8"	5/16"
4"	4" x 5-1/8"	3" x 4"	3/8"
RIGID CASTERS			
2"	1-1/2" x 2-21/32"	15/16" x 2-1/8"	1/4"
2-1/2"	2-1/4" x 4-7/16"	1-1/16" x 3-1/2"	5/16"
3"	2-1/2" x 4-15/16"	1-3/16" x 4"	5/16"
4"	3-1/8" x 6"	1-3/4" x 5"	3/8"



**Available NSF Products:**  
 All casters except those with cast iron or soft rubber wheels. Add "-N" to the end of the model number to specify an NSF approved caster.  
 For example:  
 31-POP-0312-S-N.

UP TO 400 POUND CAPACITY

## CUSTOM FABRICATION

If you don't find the right caster for your application, let our engineering team create one for you.

We custom design caster, wheel and non-powered material handling solutions to meet your individual needs.

Many of our new product innovations offer major improvements in performance and maximize value to our customers.



RWM Caster's Textile Industry Casters are designed to reduce the amount of thread buildup and reduce the time required to service casters used in this demanding application. These casters are used in all industrial caster applications where minimizing thread deposits wrapping around axles is beneficial. We are proud to say that these casters are Made in the USA!



RK-GTB-0615-S

## Features

**Swivel Section:** Cold formed top plate, yoke and button are all heat treated to prevent brinelling, improve swivel action and increase service life. Load and thrust bearings are hardened and ground and rotate on hardened raceways. Top plate is 1/4" steel. Specially designed legs are forged for increased strength, ease of cleaning debris and continuously welded to yoke. All swivel sections are equipped with a lubrication fitting for field maintenance. RWM lubricates all swivel sections prior to shipment.

**Kingpin:** 5/8" diameter rivet hydraulically compressed to increase strength of swivel section on 1-1/2" wide wheels as compared to staking, 3/4" diameter rivet on 2" wide wheels

**Axle:** 1/2" diameter bolt on 1-1/2" wide wheels. 5/8" diameter bolt on 2" wide wheels.

**Finish:** Zinc plated to protect against corrosion.

**Wheels:** Wheels are available with either straight roller bearings which rotate on a hardened and ground spanner or ball bearing for ease of rollability.

**Thread Guard:** Precision fitting full wheel thread guards to reduce string build-up around the wheel.

## Applications

RWM's Textile Industry Casters are used in all applications where minimizing thread deposits wrapping around axles is beneficial.



## Options

- HT** High Temperature Lubrication
- KB** Nut and Bolt Kingpin
- LT** Low Temperature Lubrication
- SL** Swivel Lock
- SR** Sealed Swivel Raceway

### OPTIONAL MOUNTING PLATES

Optional Top Plate Number	Mounting Plate	Bolt Hole Spacing	Bolt Size
<b>FOR 1-1/2" WIDE WHEELS</b>			
41ST 41RT	4" x 5"	2-5/8" x 3-5/8" slotted to 3" x 4"	3/8"
42ST 42RT	4-1/2" x 6-1/2"	2-7/16" x 4-15/16" slotted to 3-3/8" x 5-1/4"	1/2"
43ST 43RT	5" x 5-1/2"	4-1/8" x 4-1/2"	3/8"
<b>FOR 2" WIDE WHEELS</b>			
43ST 43RT	5" x 5-1/2"	4-1/8" x 4-1/2"	3/8"

## SPECIFICATIONS

Wheel Diameter	Wheel Width	Wheel Type	lbs. Capacity	Overall Height	Swivel Caster Model Number			Swivel Lead	Approx Weight
					Straight Roller Bearing	Bearing	Ball		
4"	1-1/2"	Cast Iron	350	5-1/4"	RK-CIR-0415-S-TG	RK-CIB-0415-S-TG	RK-CIC-0415-S-TG	1-3/4"	4.5
		Durastan	350		RK-DUR-0415-S-TG	RK-DUB-0415-S-TG	RK-DUC-0415-S-TG		4.5
		Performance TPR	325		RK-RPR-0415-S-TG	RK-RPB-0415-S-TG	RK-RPC-0415-S-TG		5.0
		Urethane on Iron	350		RK-UIR-0415-S-TG	RK-UIB-0415-S-TG	RK-UIC-0415-S-TG		4.6
		Urethane Polypropylene	350		RK-UPR-0415-S-TG	RK-UPB-0415-S-TG	RK-UPC-0415-S-TG		5.3
5"	1-1/2"	Cast Iron	400	6-1/4"	RK-CIR-0515-S-TG	RK-CIB-0515-S-TG	RK-CIC-0515-S-TG	1-7/8"	7.5
		Durastan	400		RK-DUR-0515-S-TG	RK-DUB-0515-S-TG	RK-DUC-0515-S-TG		5.3
		Performance TPR	350		RK-RPR-0515-S-TG	RK-RPB-0515-S-TG	RK-RPC-0515-S-TG		5.3
		Urethane on Aluminum	400		RK-UAR-0515-S-TG		RK-UAC-0515-S-TG		5.5
		Urethane on Iron	400		RK-UIR-0515-S-TG	RK-UIB-0515-S-TG	RK-UIC-0515-S-TG		5.0
		Urethane Polypropylene	400		RK-UPR-0515-S-TG	RK-UPB-0515-S-TG	RK-UPC-0515-S-TG		5.3
5"	2"	Cast Iron	900	6-1/2"	RK-CIR-0520-S-TG	RK-CIB-0520-S-TG	RK-CIC-0520-S-TG	2-1/16"	9.8
		Durastan	900		RK-DUR-0520-S-TG		RK-DUC-0520-S-TG		7.0
		High Temp. Nylon	900		RK-HNR-0520-S-TG	RK-HNB-0520-S-TG			7.0
		Performance TPR	375		RK-RPR-0520-S-TG	RK-RPB-0520-S-TG	RK-RPC-0520-S-TG		5.7
		Urethane on Aluminum	900		RK-UAR-0520-S-TG		RK-UAC-0520-S-TG		9.8
		Urethane on Iron	900		RK-UIR-0520-S-TG		RK-UIC-0520-S-TG		10.5
		Urethane Polypropylene	750		RK-UPR-0520-S-TG	RK-UPB-0520-S-TG	RK-UPC-0520-S-TG		5.7
6"	1-1/2"	Cast Iron	450	7-1/4"	RK-CIR-0615-S-TG		RK-CIC-0615-S-TG	2"	8.8
		Durastan	450		RK-DUR-0615-S-TG	RK-DUB-0615-S-TG	RK-DUC-0615-S-TG		6.0
		Performance TPR	450		RK-RPR-0615-S-TG	RK-RPB-0615-S-TG	RK-RPC-0615-S-TG		5.7
		Urethane on Iron	450		RK-UIR-0615-S-TG	RK-UIB-0615-S-TG	RK-UIC-0615-S-TG		5.7
		Urethane Polypropylene	450		RK-UPR-0615-S-TG	RK-UPB-0615-S-TG	RK-UPC-0615-S-TG		5.7
6"	2"	Cast Iron	900	7-1/2"	RK-CIR-0620-S-TG	RK-CIB-0620-S-TG	RK-CIC-0620-S-TG	2-3/8"	11.0
		Durastan	900		RK-DUR-0620-S-TG	RK-DUB-0620-S-TG	RK-DUC-0620-S-TG		8.0
		High Temp. Nylon	900		RK-HNR-0620-S-TG	RK-HNB-0620-S-TG			8.0
		Omega	900		RK-UOR-0620-S-TG	RK-UOB-0620-S-TG	RK-UOC-0620-S-TG		10.4
		Performance TPR	525		RK-RPR-0620-S-TG	RK-RPB-0620-S-TG	RK-RPC-0620-S-TG		7.3
		Urethane on Aluminum	900		RK-UAR-0620-S-TG		RK-UAC-0620-S-TG		8.5
		Urethane on Iron	900		RK-UIR-0620-S-TG	RK-UIB-0620-S-TG	RK-UIC-0620-S-TG		10.5
		Urethane Polypropylene	900		RK-UPR-0620-S-TG	RK-UPB-0620-S-TG	RK-UPC-0620-S-TG		7.3

To order a rigid caster, change the "S" to "R" in the model number. For example: "RK-GTB-0415-R". To order a rig only, omit the blue letters. For example: "RK-0415-R". Dimensions shown are nominal. If precise dimensions are required, consult your RWM representative. For approximate weight of our rigid caster, deduct .9 pounds.

### STANDARD MOUNTING PLATES

Wheel Size	Mounting Plate	Bolt Hole Spacing	Bolt Size
4" x 1-1/2" 5" x 1-1/2" 6" x 1-1/2"	4" x 4-1/2"	2-5/8" x 3-5/8" slotted to 3" x 3"	3/8"
5" x 2" 6" x 2" 8" x 2"	5" x 5-1/2"	4-1/8" x 4-1/2"	3/8"

UP TO 900 POUND CAPACITY

# WT Series Casters

RWM Caster's Textile Industry Casters are designed to reduce the amount of thread buildup and reduce the time required to service casters used in this demanding application. These casters are used in all industrial caster applications where minimizing thread deposits wrapping around axles is beneficial. We are proud to say that these casters are Made in the USA!



WT-GTB-0515-S

## Features

**Swivel Section:** Cold formed top plate, yoke and button are all heat treated to prevent brinelling, improve swivel action and increase service life. Load and thrust bearings are hardened and ground and rotate on hardened raceways. Top plate and legs are 1/4" steel. Legs are formed for increased strength and continuously welded to yoke. All swivel sections are equipped with a lubrication fitting for field maintenance. RWM lubricates all swivel sections prior to shipment.

**Kingpin:** 5/8" diameter rivet hydraulically compressed to increase strength of swivel section on 1-1/2" wide wheels as compared to staking, 3/4" diameter rivet on 2" wide wheels.

**Axle:** 1/2" diameter drilled axle with lubrication fitting provided on all casters to improve ease of lubrication.

**Finish:** Zinc plated to protect against corrosion.

**Wheels:** Wheels are available with either straight roller bearings which rotate on a hardened and ground spanner or ball bearing for ease of rollability.

**Spacers:** Oversized spacers provide protection from string build-up and reduce cleaning time by 80%.

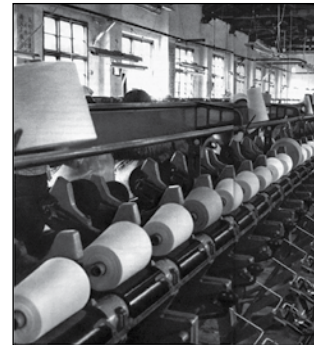
**Thread Guard:** Precision fitting full wheel thread guards to reduce string build-up around the wheel.

## Options

- KB** Nut and Bolt Kingpin
- SL** Swivel Lock
- SR** Sealed Swivel Raceway

## Applications

RWM's WT Series are used in all applications where minimizing thread deposits wrapping around axles is beneficial.



### STANDARD MOUNTING PLATES

Wheel Size	Mounting Plate	Bolt Hole Spacing	Bolt Size
4" x 1-1/2" 5" x 1-1/2" 6" x 1-1/2"	4" x 4-1/2"	2-5/8" x 3-5/8" slotted to 3" x 3"	3/8"
5" x 2" 6" x 2" 8" x 2"	4-1/2" x 6-1/2"	2-7/16" x 4-15/16" slotted to 3-3/8" x 5-1/4"	1/2"

### OPTIONAL MOUNTING PLATES

Optional Top Plate Number	Mounting Plate	Bolt Hole Spacing	Bolt Size
<b>FOR 1-1/2" WIDE WHEELS</b>			
41ST 41RT	4" x 5"	2-5/8" x 3-5/8" slotted to 3" x 4"	3/8"
42ST 42RT	4-1/2" x 6-1/2"	2-7/16" x 4-15/16" slotted to 3-3/8" x 5-1/4"	1/2"
43ST 43RT	5" x 5-1/2"	4-1/8" x 4-1/2"	3/8"
<b>FOR 2" WIDE WHEELS</b>			
43ST 43RT	5" x 5-1/2"	4-1/8" x 4-1/2"	3/8"

UP TO 1,400 POUND CAPACITY

SPECIFICATIONS								
Wheel Diameter	Wheel Width	Wheel Type	lbs. Capacity	Overall Height	Straight Roller Bearing	Ball Bearing	Swivel Lead	Approx Weight lbs.
4"	1-1/2"	Cast Iron	500	5-5/8"	WT-CIR-0415-S		1-1/2"	6.1
		Durastan	600		WT-DUR-0415-S			4.4
		GT	900			WT-GTB-0415-S		4.4
		Polyolefin	375		WT-POR-0415-S	WT-POB-0415-S		4.1
		Performance TPR	325		WT-RPR-0415-S			5.3
		Urethane on Aluminum	600		WT-UAR-0415-S			5.0
		Urethane Polypropylene	500		WT-UPR-0415-S	WT-UPB-0415-S		5.3
		Urethane Solid	300		WT-USR-0415-S	WT-USB-0415-S		6.0
5"	1-1/2"	Cast Iron	600	6-1/8"	WT-CIR-0515-S		1-1/2"	6.9
		Durastan	650		WT-DUR-0515-S			4.9
		GT	1000			WT-GTB-0515-S		4.9
		Polyolefin	440		WT-POR-0515-S	WT-POB-0515-S		4.4
		Performance TPR	350		WT-RPR-0515-S	WT-RPB-0515-S		5.3
		Urethane on Aluminum	720		WT-UAR-0515-S			5.0
		Urethane Polypropylene	700		WT-UPR-0515-S	WT-UPB-0515-S		5.3
		Urethane Solid	330		WT-USR-0515-S	WT-USB-0515-S		6.0
5"	2"	Cast Iron	1000	6-15/16"	WT-CIR-0520-S		1-13/16"	10.2
		Durastan	1000		WT-DUR-0520-S			6.5
		GT	1200			WT-GTB-0520-S		6.5
		High Temp. Nylon	1000		WT-HNR-0520-S	WT-HNB-0520-S		6.9
		Polyolefin	650		WT-POR-0520-S	WT-POB-0520-S		5.9
		Performance TPR	375		WT-RPR-0520-S	WT-RPB-0520-S		5.7
		Rubber on Aluminum-EHT	800			WT-RAB-0520-S-EHT		8.9
		Solid Urethane	1000			WT-MUB-0520-S		6.8
		Urethane on Aluminum	1050		WT-UAR-0520-S			6.6
		Urethane on Iron	1050		WT-UIR-0520-S			9.2
Urethane Polypropylene	750	WT-UPR-0520-S	WT-UPB-0520-S	5.7				
6"	1-1/2"	Cast Iron	600	7-5/16"	WT-CIR-0615-S		1-13/16"	8.1
		Durastan	800		WT-DUR-0615-S			5.4
		GT	1200			WT-GTB-0615-S		5.8
		Performance TPR	475		WT-RPR-0615-S	WT-RPB-0615-S		5.8
		Urethane Polypropylene	800		WT-UPR-0615-S	WT-UPB-0615-S		5.7
6"	2"	Cast Iron	1200	7-7/16"	WT-CIR-0620-S	WT-CIB-0620-S	1-13/16"	11.1
		Durastan	1200		WT-DUR-0620-S	WT-DUB-0620-S		7.6
		GT	1400			WT-GTB-0620-S		7.6
		High Temp. Nylon	1200		WT-HNR-0620-S	WT-HNB-0620-S		8.1
		Omega	1000		WT-UOR-0620-S	WT-UOB-0620-S		10.4
		Polyolefin	700		WT-POR-0620-S	WT-POB-0620-S		6.3
		Performance TPR	525		WT-RPR-0620-S	WT-RPB-0620-S		7.3
		Rubber on Aluminum-EHT	820			WT-RAB-0620-S-EHT		9.4
		Solid Urethane	1200			WT-MUB-0620-S		12.0
		Urethane on Aluminum	1230		WT-UAR-0620-S			7.4
		Urethane on Iron	1230		WT-UIR-0620-S	WT-UIB-0620-S		10.5
		Urethane Polypropylene	900		WT-UPR-0620-S	WT-UPB-0620-S		7.3
8"	2"	Cast Iron	1400	9-3/4"	WT-CIR-0820-S	WT-CIB-0820-S	2-3/8"	17.4
		Durastan	1200		WT-DUR-0820-S	WT-DUB-0820-S		9.3
		GT	1400			WT-GTB-0820-S		9.1
		Omega	1200		WT-UOR-0820-S	WT-UOB-0820-S		14.0
		Polyolefin	800		WT-POR-0820-S	WT-POB-0820-S		7.6
		Performance TPR	600		WT-RPR-0820-S	WT-RPB-0820-S		7.1
		Rubber on Aluminum-EHT	1000			WT-RAB-0820-S-EHT		12.2
		Solid Urethane	1400			WT-MUB-0820-S		7.3
		Urethane on Aluminum	1400		WT-UAR-0820-S			9.1
		Urethane on Iron	1400		WT-UIR-0820-S	WT-UIB-0820-S		9.3
		Urethane Polypropylene	1000		WT-UPR-0820-S	WT-UPB-0820-S		7.1

UP TO 1,400 POUND CAPACITY

To order a rigid caster, change the "S" to "R" in the model number. For example: "WT-CIR-0415-R". To order rig only, omit the blue letters. For example: "WT-0415-S". Dimensions shown are nominal. If precise dimensions are required, consult your RWM representative. For approximate weight of our rigid casters, deduct 0.9 pounds per item.



# 40 Series Casters

Our 40 Series Casters have been used in a wide variety of applications for many years and are the backbone of the Material Handling Industry. The load ratings fit a wide variety of manufacturing and warehousing uses. The 40 Series Caster is the same as our standard 46 Series Casters except for 1-1/2" wide wheels. This medium duty caster series is designed for use on scrap bins, parts boxes, dollies and racks.

## Features

**Swivel Section:** Cold formed top plate, yoke and button are all heat treated to prevent brinelling, improve swivel action and increase service life. Load and thrust bearings are hardened and ground and rotate on hardened raceways. Top plate and legs are 1/4" steel. Legs are formed for increased strength and continuously welded to yoke. All swivel sections are equipped with a lubrication fitting for field maintenance. RWM lubricates all swivel sections prior to shipment. Notched yokes are standard.

**Kingpin:** 5/8" diameter rivet hydraulically compressed to increase strength of swivel section as compared to staking

**Axle:** 1/2" diameter drilled axle with lubrication fitting provided on all casters to improve ease of lubrication

**Finish:** Zinc plated to protect against corrosion

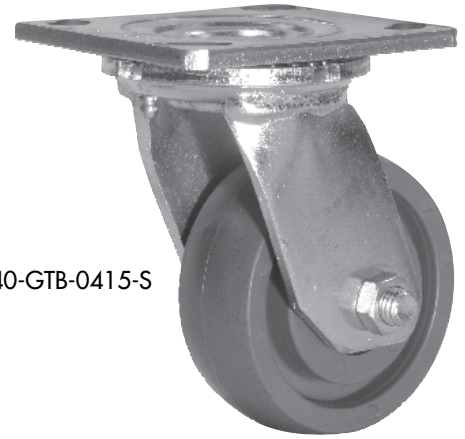
**Wheels:** A wide variety of 3" through 6" diameters available with either roller bearing, ball bearing, celcon, oilite or plain bearings.

**Mounting Plate Size:** 4" x 4-1/2" x 1/4"

**Bolt Hole Spacing:** 2-5/8" x 3-5/8", slotted to 3" x 3"

**Mounting Bolt Diameter:** 3/8"

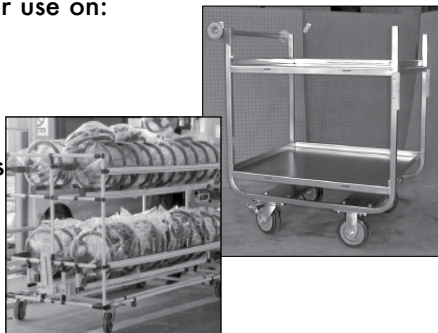
40-GTB-0415-S



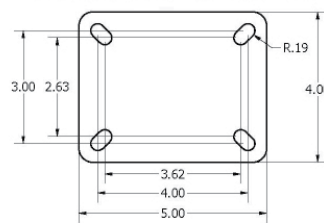
## Applications

Nearly every warehouse, freight terminal, manufacturing plant and industrial business uses these types of casters in their operations. This medium duty caster series is designed for use on:

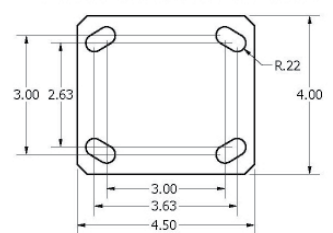
- ◆ bakeries
- ◆ scrap bins
- ◆ parts boxes
- ◆ maintenance carts
- ◆ racks



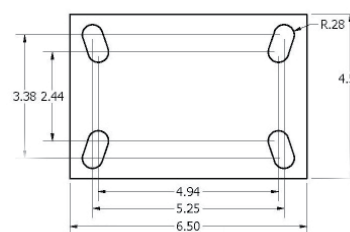
40 SERIES OPTIONAL 41ST/41RT



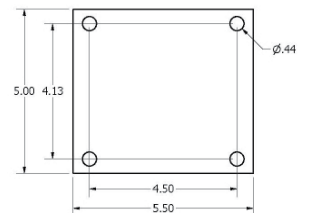
40 SERIES STANDARD TOP PLATE



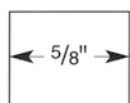
40 SERIES OPTIONAL 42ST/42RT



40 SERIES OPTIONAL 43ST/43RT

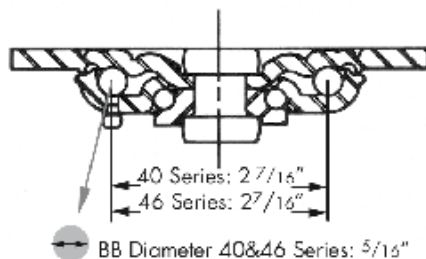


RIVET CROSS SECTION



30 Series  
40 Series  
46 Series

SWIVEL CROSS SECTION



## Options

- HT** High Temperature Lubrication
  - IW** Inside Weld
  - KB** Nut and Bolt Kingpin
  - LT** Low Temperature Lubrication
  - NY** Notched Yoke
  - SL** Swivel Lock
  - SR** Sealed Swivel Raceway
  - TG** Thread Guards
  - WB** Side Wheel Brake on 4" size and larger\*
  - DSL** Demountable Swivel Lock
- \*Only available with roller bearings.

UP TO 1,200 POUND CAPACITY

## SPECIFICATIONS

Wheel Diameter	Wheel Width	Wheel Type	lbs. Capacity	Overall Height	Swivel Caster Model Number			Swivel Lead	Approx Weight	
					Caged, Straight Roller Bearing	Flanged, Sealed Precision, 1 pc. Ball Bearing	Plain, Oilite, Celcon Bearing			
3"	1-3/4"	Durastan	400	4-1/2"	40-DUR-0317-S		40-DUC-0317-S	1-3/16"	4.0	
3-1/4"	1-1/2"	Cast Iron	400	4-5/8"	40-CIR-3215-S		40-CIP-3215-S	1-3/16"	5.4	
		Durastan	600		40-DUR-3215-S		40-DUC-3215-S		5.6	
3-5/8"	1-1/2"	Urethane on Aluminum	420	4-13/16"	40-UAR-3515-S		40-UAC-3515-S	1-3/16"	4.3	
4"	1-1/2"	Cast Iron	500	5-5/8"	40-CIR-0415-S	40-CIB-0415-S	40-CIP-0415-S	1-3/8"	5.8	
		Durastan	600		40-DUR-0415-S	40-DUB-0415-S	40-DUC-0415-S		4.4	
		Forged Steel	1200				40-FSC-0415-S		6.5	
		GT	900			40-GTB-0415-S			4.4	
		Hard Rubber	400				40-HRO-0415-S			4.7
		Performance TPR	325		40-RPR-0415-S	40-RPB-0415-S	40-RPC-0415-S		4.8	
		Polyolefin	375		40-POR-0415-S	40-POB-0415-S	40-POP-0415-S		4.1	
		Rubber on Iron	250		40-RIR-0415-S		40-RIC-0415-S		6.0	
		Soft Rubber	200				40-SRO-0415-S		4.6	
		Urethane on Aluminum	600		40-UAR-0415-S		40-UAC-0415-S		4.4	
		Urethane on Iron	600		40-UIR-0415-S	40-UIB-0415-S	40-UIC-0415-S		6.0	
		Urethane	500		40-UPR-0415-S	40-UPB-0415-S	40-UPC-0415-S		4.8	
		Urethane Solid	300		40-USR-0415-S		40-USC-0415-S		4.1	
		V-Groove Iron	700		40-VIR-0415-S		40-VIP-0415-S		6.8	
4"	1-1/2"	Nylatron	1200	5-5/8"		40-NYB-0415-S		1-7/8"	5.6	
4"	1-1/2"	Nylatron	1200	5-5/8"		40-NYB-0415-S		1-7/8"	5.6	
5"	1-1/2"	Cast Iron	600	6-1/8"	40-CIR-0515-S	40-CIB-0515-S	40-CIC-0515-S	1-3/8"	6.7	
		Durastan	650		40-DUR-0515-S	40-DUB-0515-S	40-DUC-0515-S		4.9	
		GT	1000			40-GTB-0515-S			4.9	
		Performance TPR	350		40-RPR-0515-S	40-RPB-0515-S	40-RPC-0515-S		5.3	
		Polyolefin	440		40-POR-0515-S	40-POB-0515-S	40-POP-0515-S		4.4	
		Rubber on Iron	300		40-RIR-0515-S		40-RIC-0515-S		5.4	
		Soft Rubber	240				40-SRO-0515-S		5.8	
		Urethane on Aluminum	720		40-UAR-0515-S		40-UAC-0515-S		5.0	
		Urethane on Iron	720		40-UIR-0515-S	40-UIB-0515-S	40-UIC-0515-S		5.0	
		Urethane	700		40-UPR-0515-S	40-UPB-0515-S	40-UPC-0515-S		5.3	
Urethane Solid	330	40-USR-0515-S	40-USB-0515-S	40-USC-0515-S	6.0					
5"	1-1/2"	Nylatron	1200	6-1/8"		40-NYB-0515-S		1-7/8"	6.1	
5"	1-1/2"	Nylatron	1200	6-1/8"		40-NYB-0515-S		1-7/8"	6.1	
6"	1-1/2"	Cast Iron	600	7-1/4"	40-CIR-0615-S	40-CIB-0615-S	40-CIP-0615-S	1-5/8"	7.8	
		Durastan	800		40-DUR-0615-S	40-DUB-0615-S	40-DUC-0615-S		5.4	
		GT	1200			40-GTB-0615-S			5.4	
		Performance TPR	475		40-RPR-0615-S	40-RPB-0615-S	40-RPC-0615-S		5.7	
		Rubber on Iron	370		40-RIR-0615-S		40-RIC-0615-S		6.8	
		Urethane on Iron	840		40-UIR-0615-S	40-UIB-0615-S	40-UIC-0615-S		7.9	
Urethane	800	40-UPR-0615-S	40-UPB-0615-S	40-UPC-0615-S	5.7					
6"	1-1/2"	Nylatron	1200	3/8"		40-NYB-0615-S		1-7/8"	7	
6"	1-1/2"	Nylatron	1200	1/2"		40-NYB-0615-S		1-7/8"	7	

To order a rigid caster, change the "S" to "R" in the model number. For example: "40-DUR-0317-R". To order a rig only, omit the blue letters. For example: "40-0317-S". Dimensions shown are nominal. If precise dimensions are required, consult your RWM representative. For approximate weight of our rigid casters, deduct 0.5 pounds per item.

### OPTIONAL MOUNTING PLATES

Optional Top Plate Number	Mounting Plate	Bolt Hole Spacing	Bolt Size
41ST 41RT	4" x 5"	2-5/8" x 3-5/8" slotted to 3" x 4"	3/8"
42ST 42RT	4-1/2" x 6-1/2"	2-7/16" x 4-15/16" slotted to 3-3/8" x 5-1/4"	1/2"
43ST 43RT	5" x 5-1/2"	4-1/8" x 4-1/2"	3/8"



### OPTIONAL OVERALL HEIGHTS

Wheel Diameter	Overall Height
3"	4-1/4"
4"	5-1/4"
5"	6-1/2"
5"	6-3/8"
6"	7-1/2"
6"	7-3/8"
6"	7-3/4"

UP TO 1,200 POUND CAPACITY

# 45 Series Casters

The RWM 45 Series Caster is an economical version of our 46 Series industrial caster. These medium duty casters are ideal for bakery, meat processing and many other industries for a wide range of uses including dollies, shop carts, scrap bins and floor trucks.

## Features

- Swivel Section:** Double Ball Bearing Raceways
- Kingpin:** 5/8" Thread & Bolt Style
- Axle:** 1/2" Diameter
- Finish:** Bright Zinc Plate for Corrosion Resistance
- Wheels:** A Wide Assortment of Wheels from 4" to 8" in Diameter
- Mounting Plate Size:** 4" x 4-1/2" x 1/4"
- Bolt Hole Spacing:** 2-5/8" x 3-5/8", Slotted to 3" x 3"
- Mounting Bolt Diameter:** 3/8"

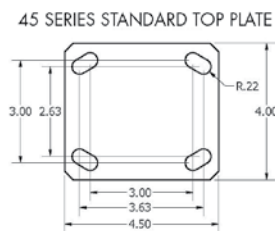
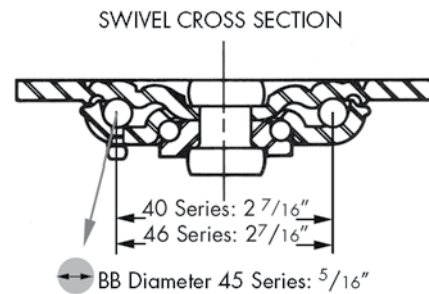
## Applications

The 45 Series Medium Duty Casters are ideal for:

- ◆ aircraft and aerospace
- ◆ bakery carts
- ◆ meat processing
- ◆ assembly line & boat molding dollies
- ◆ box trucks
- ◆ conveyor stands
- ◆ fixture carts
- ◆ maintenance & material handling carts
- ◆ mobile storage racks, mobile tool chests
- ◆ shipping/receiving carts
- ◆ tire racks
- ◆ housekeeping carts
- ◆ institutional equipment
- ◆ janitorial equipment
- ◆ laboratory equipment
- ◆ electronic equipment
- ◆ textile carts



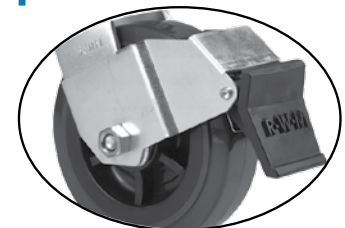
45-DUR-0520-S



## Brake Options



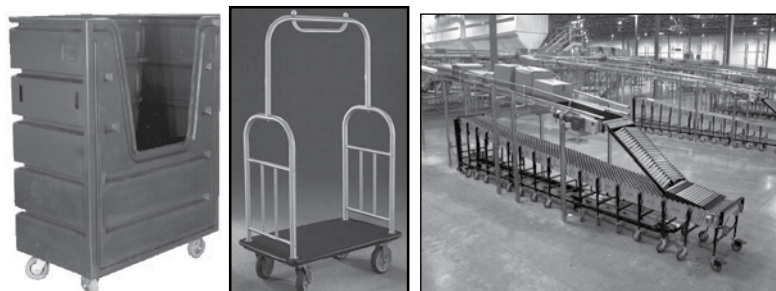
**WB**  
Side Wheel Brake (Rigid & Swivel)



**ICWB**  
Field Installable Tread Wheel Brake (Swivel Only)

## Options

- DSL** Demountable Swivel Lock
- FOSL** Foot Operated Swivel Lock
- ICWB** Installable Tread Wheel Brake
- STB** Side Tread Brake
- TG** Thread Guards
- WB** Side Wheel Brake (Roller Bearing Only)



To order a rigid caster, change the "S" to "R" in the model number. For example: "45-DUR-0420-R". To order a rig only, omit the blue letters. For example: "45-0420-S". Dimensions shown are nominal. If precise dimensions are required, consult your RWM representative. For approximate weight of our rigid casters, deduct 0.9 pounds per item.

UP TO 1,200 POUND CAPACITY

## SPECIFICATIONS

Wheel Dia.	Wheel Width	Wheel Type	lbs. Capacity	Overall Height	Caged, Straight Roller Bearing	Flanged, Sealed Precision, 1 pc. Ball Bearing	Plain, Oilite, Celcon Bearing	Swivel Lead	Approx Weight
4"	2"	Durastan	800	5-5/8"	45-DUR-0420-S	45-DUB-0420-S	45-DUC-0420-S	1-3/8"	5.2
		Cast Iron	800		45-CIR-0420-S	45-CIB-0420-S	45-CIC-0420-S		6.5
		GT	1050			45-GTB-0420-S			5.2
		High Temp Nylon	800		45-HNR-0420-S				5.2
		Performance TPR	350		45-RPR-0420-S	45-RPB-0420-S	45-RPC-0420-S		5.3
		Pinnacle Wheel	800		45-PNR-0420-S	45-PNB-0420-S	45-PNC-0420-S		
		Polyolefin	500		45-POR-0420-S	45-POB-0420-S	45-POC-0420-S		4.8
		Nylatron HD	1200			45-NYB-0420-S			5.7
		Rubber on Aluminum	700			45-RAB-0420-S-EHT			7.4
		Rubber on Iron	350		45-RIR-0420-S		45-RIC-0420-S		7.5
		Signature Wheel	400		45-SWR-0420-S	45-SWB-0420-S	45-SWC-0420-S		5.5
		Solid Urethane	700			45-MUB-0420-S			5.5
		Urethane on Aluminum	700		45-UAR-0420-S		45-UAC-0420-S		5.0
		Urethane on Iron	700		45-UIR-0420-S		45-UIC-0420-S		6.6
		Urethane Polypropylene	600		45-UPR-0420-S	45-UPB-0420-S	45-UPC-0420-S		5.3
V-Groove Iron	800	45-VIR-0420-S		45-VIC-0420-S	7.6				
5"	2"	Durastan	1000	6-1/2"	45-DUR-0520-S	45-DUB-0520-S	45-DUC-0520-S	1-5/8"	5.4
		Cast Iron	1000		45-CIR-0520-S	45-CIB-0520-S	45-CIC-0520-S		7.8
		GT	1200			45-GTB-0520-S			5.4
		Forged Steel	1200		45-FSR-0520-S		45-FSC-0520-S		8.1
		High Temp Nylon	1000		45-HNR-0520-S				5.4
		Performance TPR	375		45-RPR-0520-S	45-RPB-0520-S	45-RPC-0520-S		5.3
		Pinnacle Wheel	1000		45-PNR-0520-S	45-PNB-0520-S	45-PNC-0520-S		5.6
		Polyolefin	650		45-POR-0520-S	45-POB-0520-S	45-POC-0520-S		4.6
		Nylatron HD	1200			45-NYB-0520-S			5.9
		Rubber on Aluminum	800			45-RAB-0520-S-EHT			7.5
		Rubber on Iron	400		45-RIR-0520-S		45-RIC-0520-S		7.6
		Signature Wheel	500		45-SWR-0520-S	45-SWB-0520-S	45-SWC-0520-S		5.7
		Solid Urethane	1000			45-MUB-0520-S			5.7
		Urethane on Aluminum	1050		45-UAR-0520-S		45-UAC-0520-S		7.7
		Urethane on Iron	1050		45-UIR-0520-S		45-UIC-0520-S		7.7
Urethane Polypropylene	750	45-UPR-0520-S	45-UPB-0520-S	45-UPC-0520-S	5.3				
V-Groove Iron	800	45-VIR-0520-S		45-VIC-0520-S	9.9				
6"	2"	Durastan	1200	7-1/2"	45-DUR-0620-S	45-DUB-0620-S	45-DUC-0620-S	1-13/16"	6.3
		Cast Iron	1200		45-CIR-0620-S	45-CIB-0620-S	45-CIC-0620-S		9.1
		GT	1200			45-GTB-0620-S			6.3
		Forged Steel	1200		45-FSR-0620-S		45-FSC-0620-S		10.0
		High Temp Nylon	1200		45-HNR-0620-S				6.3
		Omega	1000		45-UOR-0620-S	45-UOB-0620-S			8.8
		Performance TPR	525		45-RPR-0620-S	45-RPB-0620-S	45-RPC-0620-S		5.7
		Pinnacle Wheel	1200		45-PNR-0620-S	45-PNB-0620-S	45-PNC-0620-S		6.2
		Polyolefin	700		45-POR-0620-S	45-POB-0620-S	45-POC-0620-S		5.0
		Rubber on Aluminum	820			45-RAB-0620-S-EHT			7.8
		Rubber on Iron	410		45-RIR-0620-S		45-RIC-0620-S		7.8
		Signature Wheel	600		45-SWR-0620-S	45-SWB-0620-S	45-SWC-0620-S		6.4
		Solid Urethane	1200			45-MUB-0620-S			6.4
		Torus	1200			45-UAB-0621-			6.1
		Urethane on Aluminum	1200		45-UAR-0620-S		45-UAC-0620-S		6.1
Urethane on Iron	1200	45-UIR-0620-S		45-UIC-0620-S	8.8				
Urethane Polypropylene	900	45-UPR-0620-S	45-UPB-0620-S	45-UPC-0620-S	5.7				
V-Groove Iron	1000	45-VIR-0620-S		45-VIC-0620-S	10.9				
8"	2"	Durastan	1200	9-1/2"	45-DUR-0820-S	45-DUB-0820-S	45-DUC-0820-S	2-3/16"	7.7
		Cast Iron	1200		45-CIR-0820-S	45-CIB-0820-S	45-CIC-0820-S		13.3
		GT	1200			45-GTB-0820-S			7.7
		Omega	1200		45-UOR-0820-S	45-UOB-0820-S			12.1
		Performance TPR	600		45-RPR-0820-S	45-RPB-0820-S	45-RPC-0820-S		7.1
		Pinnacle Wheel	1200		45-PNR-0820-S	45-PNB-0820-S	45-PNC-0820-S		6.9
		Polyolefin	800		45-POR-0820-S	45-POB-0820-S	45-POC-0820-S		5.8
		Rubber on Aluminum	1000			45-RAB-0820-S-EHT			10.1
		Rubber on Iron	500		45-RIR-0820-S		45-RIC-0820-S		10.1
		Urethane on Aluminum	1200		45-UAR-0820-S		45-UAC-0820-S		7.3
		Signature Wheel	700		45-SWR-0820-S	45-SWB-0820-S	45-SWC-0820-S		7.1
		Solid Urethane	1200			45-MUB-0820-S			7.1
		Torus	1200			45-UAB-0821-S			7.3
		Urethane on Iron	1200		45-UIR-0820-S		45-UIC-0820-S		12.1
		Urethane Polypropylene	1000		45-UPR-0820-S	45-UPB-0820-S	45-UPC-0820-S		7.7
V-Groove Iron	1050	45-VIR-0820-S		45-VIC-0820-S	15.3				

UP TO 1,200 POUND CAPACITY

# 46 Series Casters

The 46 Series Casters are heat treated and recommended in medium heavy duty applications. These are the mainstay in industrial caster applications.

## Features

**Swivel Section:** Cold formed top plate, yoke and button are all heat treated to prevent brinelling, improve swivel action and increase service life. Load and thrust bearings are hardened and ground and rotate on hardened raceways. Top plate and legs are 1/4" steel, legs formed for increased strength and inside and out continuously welded to yoke. All swivel sections are equipped with a lubrication fitting for field maintenance. RWM lubricates all swivel sections prior to shipment. Notched yokes are standard.

**Capacity:** 1200 lbs.

**Kingpin:** 5/8" diameter rivet hydraulically compressed to increase strength of swivel section as compared to staking

**Axle:** 1/2" diameter drilled axle with lubrication fitting provided on all casters to improve ease of lubrication

**Finish:** Zinc plated to protect from corrosion

**Wheels:** A wide variety of 3-1/4" through 8" diameters available with either roller, ball bearing, celcon or plain bearings.

**Mounting Plate Size:** 4" x 4-1/2" x 1/4"

**Bolt Hole Spacing:** 2-5/8" x 3-5/8" slotted to 3" x 3"

**Mounting Bolt Diameter:** 3/8"

## Applications

Medium Heavy-Duty Casters are the backbone of Material Handling Industry. Nearly every warehouse, freight terminal, manufacturing plant and industrial business use these types of casters in their operations. They are ideal for platform trucks, material handling carts, vending machines, warehouse and factory applications, heavy-duty foodservice and institutional equipment, tool boxes, stock carts, shelf trucks, ground support equipment, bakery carts, a-frame trucks, assembly line dollies, maintenance carts, mobile storage racks and countless other medium duty applications.

## Options

- DSL** Demountable Swivel Lock
- FCNB** Face Contact Nylon Brake
- FCNTLB** Face Contact Nylon Total Lock Brake
- FCSTLB** Face Contact Steel Total Lock Brake
- FG** Foot Guard
- FOSL** Foot Operated Swivel Lock
- HT** High Temperature Lubrication
- ICWB** Installable Face Contact Brake
- KB** Nut and Bolt Kingpin
- LT** Low Temperature Lubrication
- SL** Swivel Lock
- SR** Sealed Swivel Raceway
- TG** Thread Guards
- WB** Field Installable Side Wheel Brake on 4" & larger (Roller Bearings Only)
- WS** Wheel Seals
- WBT** Tread Wheel Brake



46-GTB-0620-S



46-GTB-0620-FCNB

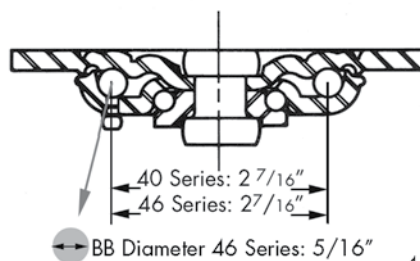


46-PNR-0620-S-DSL

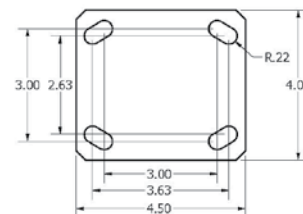


46-UIB-0620-S-FCSTLB

SWIVEL CROSS SECTION



46 SERIES STANDARD TOP PLATE



### Available NSF Products:

All casters except those with cast iron, soft rubber, rubber on iron, rubber on aluminum, Omega, forged steel, urethane on aluminum, urethane on iron or V-groove wheels. The following options are also not available: DSL, HT, LT, KB, SL, SR, WS, TG. Add "-N" to the end of the model number to specify an NSF approved caster. For example: 46-DUR-0620-S-N.

### OPTIONAL OVERALL HEIGHTS

Wheel Diameter	Overall Height
4"	5-1/4"
5"	6-1/8"
5"	6-3/8"
6"	7-1/4"
6"	7-3/8"
6"	7-3/4"
8"	9-1/4"
8"	9-3/4"

UP TO 1,200 POUND CAPACITY

Wheel Diameter	Wheel Width	Wheel Type	lbs. Capacity	Overall Height	Swivel Caster Model Number			Swivel Lead	lbs. Approx Weight
					Caged, Straight Roller Bearing	Flanged, Sealed Precision, 1 pc. Ball Bearing	Plain, Oilite, Celcon Bearing		
3-1/4"	2"	Durastan	400	5-1/4"	46-DUR-3220-S		46-DUC-3220-S	1-7/16"	6.7
4"	1-1/2"	Forged Steel	1200	5-5/8"	46-FSR-0415-S		46-FSC-0415-S	1-3/8"	7.0
4"	2"	Cast Iron	800	5-5/8"	46-CIR-0420-S	46-CIB-0420-S	46-CIC-0420-S	1-3/8"	6.5
		Durastan	800		46-DUR-0420-S	46-DUB-0420-S	46-DUC-0420-S		5.2
		GT	1050			46-GTB-0420-S			5.2
		High Temp Nylon	800		46-HNR-0420-S				5.2
		Nylatron HD	1200			46-NYB-0420-S			5.7
		Performance TPR	350		46-RPR-0420-S	46-RPB-0420-S	46-RPC-0420-S		5.3
		Pinnacle	800		46-PNR-0420-S	46-PNB-0420-S	46-PNC-0420-S		5.2
		Polyolefin	500		46-POR-0420-S	46-POB-0420-S	46-POC-0420-S		4.8
		Rubber on Aluminum	700			46-RAB-0420-S-EHT			7.4
		Rubber on Iron	350		46-RIR-0420-S		46-RIC-0420-S		7.5
		Signature	400		46-SWR-0420-S	46-SWB-0420-S	46-SWC-0420-S		5.5
		Solid Urethane	700			46-MUB-0420-S			5.5
		Urethane on Aluminum	700		46-UAR-0420-S		46-UAC-0420-S		5.0
		Urethane on Iron	700		46-UIR-0420-S		46-UIC-0420-S		6.6
		Urethane Polypropylene	600		46-UPR-0420-S	46-UPB-0420-S	46-UPC-0420-S		5.3
V-Groove Iron	800	46-VIR-0420-S		46-VIC-0420-S	7.6				
5"	2"	Cast Iron	1000	6-1/2"	46-CIR-0520-S	46-CIB-0520-S	46-CIC-0520-S	1-11/16"	7.8
		Durastan	1000		46-DUR-0520-S	46-DUB-0520-S	46-DUC-0520-S		5.4
		GT	1200			46-GTB-0520-S			5.4
		Forged Steel	1200		46-FSR-0520-S		46-FSC-0520-S		8.1
		High Temp Nylon	1000		46-HNR-0520-S				5.4
		Nylatron HD	1200			46-NYB-0520-S			5.9
		Performance TPR	375		46-RPR-0520-S	46-RPB-0520-S	46-RPC-0520-S		5.3
		Pinnacle	1000		46-PNR-0520-S	46-PNB-0520-S	46-PNC-0520-S		5.6
		Polyolefin	650		46-POR-0520-S	46-POB-0520-S	46-POC-0520-S		4.6
		Rubber on Aluminum	800			46-RAB-0520-S-EHT			7.5
		Rubber on Iron	400		46-RIR-0520-S		46-RIC-0520-S		7.6
		Signature	500		46-SWR-0520-S	46-SWB-0520-S	46-SWC-0520-S		5.7
		Solid Urethane	1000			46-MUB-0520-S			5.7
		Urethane on Aluminum	1050		46-UAR-0520-S		46-UAC-0520-S		5.5
		Urethane on Iron	1050		46-UIR-0520-S		46-UIC-0520-S		7.7
Urethane Polypropylene	750	46-UPR-0520-S	46-UPB-0520-S	46-UPC-0520-S	5.3				
V-Groove Iron	800	46-VIR-0520-S		46-VIC-0520-S	9.9				
6"	2"	Cast Iron	1200	7-1/2"	46-CIR-0620-S	46-CIB-0620-S	46-CIC-0620-S	2"	9.1
		Durastan	1200		46-DUR-0620-S	46-DUB-0620-S	46-DUC-0620-S		6.3
		GT	1200			46-GTB-0620-S			6.3
		Forged Steel	1200		46-FSR-0620-S		46-FSC-0620-S		10.0
		High Temp Nylon	1200		46-HNR-0620-S				6.3
		Omega	1000		46-UOR-0620-S	46-UOB-0620-S			8.8
		Performance TPR	525		46-RPR-0620-S	46-RPB-0620-S	46-RPC-0620-S		5.7
		Pinnacle	1200		46-PNR-0620-S	46-PNB-0620-S	46-PNC-0620-S		6.2
		Polyolefin	700		46-POR-0620-S	46-POB-0620-S	46-POC-0620-S		5.0
		Rubber on Aluminum	820			46-RAB-0620-S-EHT			7.8
		Rubber on Iron	410		46-RIR-0620-S		46-RIC-0620-S		7.8
		Signature	600		46-SWR-0620-S	46-SWB-0620-S	46-SWC-0620-S		6.4
		Solid Urethane	1200			46-MUB-0620-S			6.4
		Torus	1200			46-UAB-0621-S			6.1
		Urethane on Aluminum	1200		46-UAR-0620-S		46-UAC-0620-S		6.1
Urethane on Iron	1200	46-UIR-0620-S	46-UIB-0620-S	46-UIC-0620-S	8.8				
Urethane Polypropylene	900	46-UPR-0620-S	46-UPB-0620-S	46-UPC-0620-S	5.7				
V-Groove Iron	1000	46-VIR-0620-S		46-VIC-0620-S	10.9				
8"	2"	Cast Iron	1200	9-1/2"	46-CIR-0820-S	46-CIB-0820-S	46-CIC-0820-S	2-1/4"	13.3
		Durastan	1200		46-DUR-0820-S	46-DUB-0820-S	46-DUC-0820-S		7.7
		GT	1200			46-GTB-0820-S			7.7
		Omega	1200		46-UOR-0820-S	46-UOB-0820-S			12.1
		Performance TPR	600		46-RPR-0820-S	46-RPB-0820-S	46-RPC-0820-S		7.1
		Pinnacle	1200		46-PNR-0820-S		46-PNC-0620-S		6.9
		Polyolefin	800		46-POR-0820-S	46-POB-0820-S	46-POC-0820-S		5.8
		Rubber on Aluminum	1000			46-RAB-0820-S-EHT			10.1
		Rubber on Iron	500		46-RIR-0820-S		46-RIC-0820-S		10.1
		Signature	700		46-SWR-0820-S	46-SWB-0820-S	46-SWC-0820-S		7.1
		Solid Urethane	1200			46-MUB-0820-S			7.1
		Torus	1200			46-UAB-0821-S			7.3
		Urethane on Aluminum	1200		46-UAR-0820-S		46-UAC-0820-S		7.3
		Urethane on Iron	1200		46-UIR-0820-S	46-UIB-0820-S	46-UIC-0820-S		12.1
		Urethane Polypropylene	1000		46-UPR-0820-S	46-UPB-0820-S	46-UPC-0820-S		7.7
V-Groove Iron	1050	46-VIR-0820-S		46-VIC-0820-S	15.3				

UP TO 1,200 POUND CAPACITY

OPTIONAL MOUNTING PLATES			
Opt. Top Plate No.	Mounting Plate	Bolt Hole Spacing	Bolt Size
41ST / 41RT	4" x 5"	2-5/8" x 3-5/8" slotted to 3" x 4"	3/8"
42ST / 42RT	4-1/2" x 6-1/2"	2-7/16" x 4-15/16" slotted to 3-3/8" x 5-1/4"	1/2"
43ST / 43RT	5" x 5-1/2"	4-1/8" x 4-1/2"	3/8"

To order a rigid caster, change the "S" to "R" in the model number. For example: "46-DUR-3220-R". To order a rig only, omit the blue letters. For example: "46-3220-S". Dimensions shown are nominal. If precise dimensions are required, consult your RWM representative. For approximate weight of our rigid casters, deduct 0.9 pounds per item.

# 52 Series Casters

RWM's 52 Series is manufactured from cold formed steel. This series is highly recommended for use in medium heavy duty applications. Log onto our website to download FREE 2D or 3D CAD drawings and models of this caster.



52-FSR-0620-S

## Features

**Swivel Section:** Cold formed top plate, yoke and button are all heat treated to prevent brinelling, improve swivel action and increase service life. Load and thrust bearings are hardened and ground and rotate on hardened raceways. Top plate and legs are 1/4" steel, legs formed for increased strength and continuously welded to yoke. All swivel sections are equipped with a lubrication fitting for field maintenance. RWM lubricates all swivel sections prior to shipment.

**Capacity:** 1400 lbs.

**Kingpin:** 3/4" diameter rivet hydraulically compressed to increase strength of swivel section as compared to staking

**Axle:** 1/2" diameter drilled axle with lubrication fitting provided on 2" casters to improve ease of lubrication

**Finish:** Zinc plated to protect against corrosion

**Mounting Plate Size:** 4-1/2" x 6-1/2" x 1/4"

**Bolt Hole Spacing:** 2-7/16" x 4-15/16", slotted to 3-3/8" x 5-1/4"

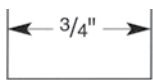
**Mounting Bolt Diameter:** 1/2"

## Applications

The 52 Series is the perfect solution for:

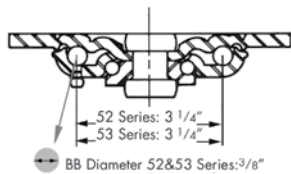
- ◆ movable racks
- ◆ conveyor and drag line applications
- ◆ utility trucks
- ◆ corrugated box trucks
- ◆ caster mounted production jigs and fixtures
- ◆ maintenance carts

Rivet Cross Section



52 Series  
53 Series

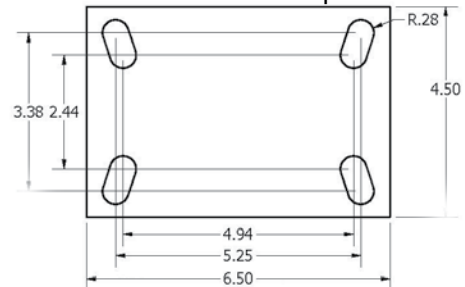
SWIVEL CROSS SECTION



## Options

- FIFG** Field Installable Foot Guard
- HT** High Temperature Lubrication
- ICWB** Installable Face Contact Brake (2" wide only)
- KB** Nut and Bolt Kingpin
- LT** Low Temperature Lubrication
- SL** Swivel Lock
- SR** Sealed Swivel Raceway
- TG** Thread Guards
- TPLK** Top Lock Brake
- WB** Side Wheel Brake (roller bearing only)
- WS** Wheel Seals
- WWB** Wrap Around Wheel Brake

52 Series Standard Top Plate



### OPTIONAL MOUNTING PLATES

Optional Top Plate Number	Mounting Plate	Bolt Hole Spacing	Bolt Size
43ST 43RT	5" x 5-1/2"	4-1/8" x 4-1/2"	3/8"

### OPTIONAL OVERALL HEIGHTS

Wheel Diameter	Overall Height
4"	5-1/8"
5"	6-1/2"
6"	7-1/2"
8"	9-1/2"
8"	10-1/8"

To order a rigid caster, change the "S" to "R" in the model number. For example, 52-FSR-0620-R. To order a rig only, omit the blue letters. For example: 52-0620-S. Note: (1.) For weight of Caster with brake add .24 pounds. (2.) For weight of Rigid Caster deduct .7 pounds. Dimensions shown are nominal. If precise dimensions are required, please consult your RWM Representative.

UP TO 1,400 POUND CAPACITY

## SPECIFICATIONS

Wheel Diameter	Wheel Width	Wheel Type	lbs. Capacity	Overall Height	Swivel Caster Model Number			Swivel Lead	lbs. Approx. Weight
					Caged, Straight Roller Bearing	Flanged, Sealed Precision, 1 pc. Ball Bearing	Plain, Oilite, Celcon Bearing		
4"	1-1/2"	Forged Steel	1400	5-3/4"	52-FSR-0415-S		52-FSC-0415-S	1-13/32"	8.8
		Cast Iron	800		52-CIR-0420-S	52-CIB-0420-S	52-CIC-0420-S		8.3
		Durastan	800		52-DUR-0420-S	52-DUB-0420-S	52-DUC-0420-S		6.4
		GT	1050			52-GTB-0420-S			6.4
		High Temp. Nylon	800		52-HNR-0420-S				5.8
		Nylatron HD	1400			52-NYB-0420-S			6.9
		Performance TPR	350		52-RPR-0420-R	52-RPB-0420-R	52-RPC-0420-S		6.5
		Pinnacle	800		52-PNR-0420-S	52-PNB-0420-S	52-PNC-0420-S		6.0
	2"	Polyolefin	500	5-3/4"	52-POR-0420-S	52-POB-0420-S	52-POC-0420-S	1-3/8"	6.0
		Rubber on Aluminum	700			52-RAB-0420-S-EHT			6.5
		Rubber on Iron	350		52-RIR-0420-S		52-RIC-0420-S		8.1
		Urethane on Aluminum	700		52-UAR-0420-S		52-UAC-0420-S		6.6
		Signature	400		52-SWR-0420-S	52-SWB-0420-S	52-SWC-0420-S		6.2
		Solid Urethane	700			52-MUB-0420-S			6.2
		Urethane on Iron	700		52-UIR-0420-S		52-UIC-0420-S		8.2
		Urethane Polypropylene	600		52-UPR-0420-S	52-UPB-0420-S	52-UPC-0420-S		6.5
V-Groove Iron	800	52-VIR-0420-S		52-VIC-0420-S	8.5				
5"	2"	Cast Iron	1000	7-1/4"	52-CIR-0520-S	52-CIB-0520-S	52-CIC-0520-S	1-13/16"	9.6
		Durastan	1000		52-DUR-0520-S	52-DUB-0520-S	52-DUC-0520-S		6.9
		Forged Steel	1400		52-FSR-0520-S		52-FSC-0520-S		10.8
		GT	1200			52-GTB-0520-S			6.9
		High Temp. Nylon	1000		52-HNR-0520-S				6.9
		Nylatron HD	1400			52-NYB-0520-S			7.4
		Performance TPR	375		52-RPR-0520-S	52-RPB-0520-R	52-RPC-0520-S		7.0
		Pinnacle	1000		52-PNR-0520-S	52-PNB-0520-S	52-PNC-0520-S		6.3
	2"	Polyolefin	650	7-1/4"	52-POR-0520-S	52-POB-0520-S	52-POC-0520-S	1-13/16"	6.1
		Rubber on Aluminum	800			52-RAB-0520-S-EHT			7.2
		Rubber on Iron	400		52-RIR-0520-S		52-RIC-0520-S		9.1
		Signature	500		52-SWR-0520-S	52-SWB-0520-S	52-SWC-0520-S		6.5
		Solid Urethane	1000			52-MUB-0520-S			6.5
		Urethane on Aluminum	1050		52-UAR-0520-S		52-UAC-0520-S		7.0
		Urethane on Iron	1050		52-UIR-0520-S		52-UIC-0520-S		9.2
		Urethane Polypropylene	750		52-UPR-0520-S	52-UPB-0520-S	52-UPC-0520-S		7.0
V-Groove Iron	800	52-VIR-0520-S		52-VIC-0520-S	9.9				
6"	2"	Cast Iron	1200	7-3/4"	52-CIR-0620-S	52-CIB-0620-S	52-CIC-0620-S	1-13/16"	11.2
		Durastan	1200		52-DUR-0620-S	52-DUB-0620-S	52-DUC-0620-S		8.0
		Forged Steel	1400		52-FSR-0620-S		52-FSC-0620-S		12.5
		GT	1400			52-GTB-0620-S			8.0
		High Temp. Nylon	1200		52-HNR-0620-S				8.0
		Omega	1000		52-UOR-0620-S	52-UOB-0620-S			10.5
		Performance TPR	525		52-RPR-0620-S	52-RPB-0620-R	52-RPC-0620-S		7.0
		Pinnacle	1200		52-PNR-0620-S	52-PNB-0620-S	52-PNC-0620-S		6.9
	2"	Polyolefin	700	7-3/4"	52-POR-0620-S	52-POB-0620-S	52-POC-0620-S	1-13/16"	8.0
		Rubber on Aluminum	820			52-RAB-0620-S-EHT			9.5
		Rubber on Iron	410		52-RIR-0620-S		52-RIC-0620-S		9.5
		Signature	600		52-SWR-0620-S	52-SWB-0620-S	52-SWC-0620-S		7.2
		Solid Urethane	1200			52-MUB-0620-S			7.2
		Torus	1200			52-UAB-0621-S			6.1
		Urethane on Aluminum	1230		52-UAR-0620-S		52-UAC-0620-S		7.8
		Urethane on Iron	1230		52-UIR-0620-S		52-UIC-0620-S		10.5
Urethane Polypropylene	900	52-UPR-0620-S	52-UPB-0620-S	52-UPC-0620-S	7.0				
V-Groove Iron	1000	52-VIR-0620-S		52-VIC-0620-S	11.2				
6"	2-1/2"	Cast Iron	1400	7-3/4"	52-CIR-0625-S			1-13/16"	15.1
		Durastan	1400		52-DUR-0625-S				10.8
		Forged Steel	1400		52-FSR-0625-S				19.5
		Rubber on Iron	540		52-RIR-0625-S				13.8
		Rubber on Iron-EHT	810		52-RIR-0625-S-EHT				13.8
		Urethane on Iron	1400		52-UIR-0625-S				17.0
		V-Groove Iron	1400		52-VIR-0625-S				17.2
		8"	2"		Cast Iron	1400	9-3/4"		52-CIR-0820-S
Durastan	1400			52-DUR-0820-S	52-DUB-0820-S	52-DUC-0820-S		9.7	
GT	1400				52-GTB-0820-S			9.7	
Omega	1200			52-UOR-0820-S	52-UOB-0820-S			14.1	
Performance TPR	600			52-RPR-0820-S	52-RPB-0820-R	52-RPC-0820-S		9.0	
Pinnacle	1400			52-PNR-0820-S	52-PNB-0820-S	52-PNC-0820-S		7.8	
Polyolefin	800			52-POR-0820-S	52-POB-0820-S	52-POC-0820-S		7.7	
2"	Rubber on Aluminum			1000	9-3/4"			52-RAB-0820-S-EHT	
	Rubber on Iron		500	52-RIR-0820-S			52-RIC-0820-S	12.2	
	Signature		700	52-SWR-0820-S		52-SWB-0820-S	52-SWC-0820-S	8.0	
	Solid Urethane		1400			52-MUB-0820-S		8.0	
	Torus		1400			52-UAB-0821-S		7.3	
	Urethane on Aluminum		1400	52-UAR-0820-S			52-UAC-0820-S	9.3	
	Urethane on Iron		1400	52-UIR-0820-S			52-UIC-0820-S	14.1	
	Urethane Polypropylene		1000	52-UPR-0820-S		52-UPB-0820-S	52-UPC-0820-S	9.0	
V-Groove Iron	1050		52-VIR-0820-S		52-VIC-0820-S	15			
8"	2-1/2"	Cast Iron	1400	9-3/4"	52-CIR-0825-S			2-1/4"	19.7
		Durastan	1400		52-DUR-0825-S				13.1
		Forged Steel	1400		52-FSR-0825-S				29.6
		Rubber on Iron	670		52-RIR-0825-S				17.8
		Rubber on Iron-EHT	1005		52-RIR-0825-S-EHT				17.8
		Urethane on Iron	1400		52-UIR-0825-S				18.8
		V-Groove Iron	1400		52-VIR-0825-S				20.0

UP TO 1,400 POUND CAPACITY



# Economy 52 Series Casters

RAPIDSTOCK

The Economy 52 Series Casters are an economical version of the 52 Series for medium duty industrial caster applications.

## Features

**Swivel Section:** Cold formed top plate, yoke and button are all heat treated to prevent brinelling, improve swivel action and increase service life. Load and thrust bearings are hardened and ground and rotate on hardened raceways. Top plate and legs are 1/4" steel, legs formed for increased strength and continuously welded to yoke. Notched yoke is standard. All swivel sections are equipped with a lubrication fitting for field maintenance. RWM lubricates all swivel sections prior to shipment.

**Capacity:** 1400 lbs.

**Kingpin:** 3/4" bolt and lock nut

**Axle:** 1/2" diameter drilled axle with lubrication fitting provided on 2" casters to improve ease of lubrication

**Finish:** Zinc plated to protect against corrosion

**Mounting Plate Size:** 4-1/2" x 6-1/2" x 1/4"

**Bolt Hole Spacing:** 2-7/16" x 4-15/16", slotted to 3-3/8" x 5-1/4"

**Bolt Diameter:** 1/2"



E52-DUR-0620-S-WB

## Options

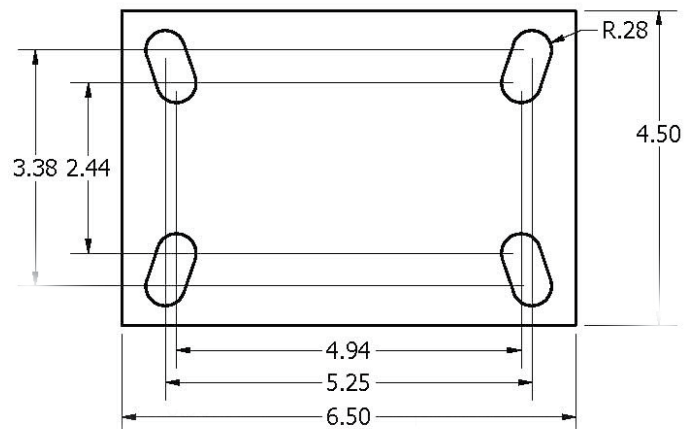
- DSL** Demountable Swivel Lock
- TG** Thread Guards
- WB** Wheel Brake
- WWB** Wrap Around Wheel Brake

## Applications

The Economy 52 Series is the perfect solution for:

- ◆ movable racks
- ◆ conveyor and drag line applications
- ◆ utility trucks
- ◆ corrugated box trucks
- ◆ caster mounted production jigs and fixtures
- ◆ maintenance carts

Standard Top Plate



To order a rigid caster, change the "S" to "R" in the model number. For example, E52-**FSR**-0620-R. To order a rig only, omit the blue let-ters. For example: E52-0620-S. Note: (1.) For weight of Caster with brake add .24 pounds. (2.) For weight of Rigid Caster deduct .7 pounds. Dimensions shown are nominal. If precise dimensions are required, please consult your B&C Representative.

UP TO 1,400 POUND CAPACITY

Wheel Diameter	Wheel Width	Wheel Type	lbs. Capacity	Overall Height	Swivel Caster Model Number			Swivel Lead	Approx Weight	
					Caged, Straight Roller Bearing	Flanged, Sealed Precision, 1 pc. Ball Bearing	Plain, Oilite, Celcon Bearing			
4"	2"	Cast Iron	800	5-5/8"	E52-CIR-0420-S	E52-CIB-0420-S	E52-CIC-0420-S	1-3/8"	8.3	
		Durastan	800		E52-DUR-0420-S	E52-DUB-0420-S	E52-DUC-0420-S		6.4	
		GT	1050			E52-GTB-0420-S			6.4	
		High Temp. Nylon	800		E52-HNR-0420-S				5.8	
		Nylatron HD	1400			E52-NYB-0420-R				6.9
		Performance TPR	350		E52-RPR-0420-R	E52-RPB-0420-R	E52-RPC-0420-S		6.5	
		Pinnacle	800		E52-PNR-0420-S	E52-PNB-0420-S	E52-PNC-0420-S		6.0	
		Polyolefin	500		E52-POR-0420-S	E52-POB-0420-S	E52-POC-0420-S		6.0	
		Rubber on Aluminum	700			E52-RAB-0420-S-EHT			6.5	
		Rubber on Iron	350		E52-RIR-0420-S		E52-RIC-0420-S		8.1	
		Signature	400		E52-SWR-0420-S	E52-SWB-0420-S	E52-SWC-0420-S		6.2	
		Solid Urethane	700			E52-MUB-0420-S			6.2	
		Urethane on Aluminum	700		E52-UAR-0420-S		E52-UAC-0420-S		6.6	
		Urethane on Iron	700		E52-UIR-0420-S		E52-UIC-0420-S		8.2	
		Urethane Polypropylene	600		E52-UPR-0420-S	E52-UPB-0420-S	E52-UPC-0420-S		6.5	
V-Groove Iron	800	E52-VIR-0420-S		E52-VIC-0420-S	8.5					
5"	2"	Cast Iron	1000	6-1/2"	E52-CIR-0520-S	E52-CIB-0520-S	E52-CIC-0520-S	1-13/16"	9.6	
		Durastan	1000		E52-DUR-0520-S	E52-DUB-0520-S	E52-DUC-0520-S		6.9	
		Forged Steel	1400		E52-FSR-0520-S		E52-FSC-0520-S		10.8	
		GT	1200			E52-GTB-0520-S			6.9	
		High Temp. Nylon	1000		E52-HNR-0520-S				6.9	
		Nylatron HD	1400			E52-NYB-0520-S			7.4	
		Performance TPR	375		E52-RPR-0520-S	E52-RPB-0520-R	E52-RPC-0520-S		7.0	
		Pinnacle	1000		E52-PNR-0520-S	E52-PNB-0520-S	E52-PNC-0520-S		6.3	
		Polyolefin	650		E52-POR-0520-S	E52-POB-0520-S	E52-POC-0520-S		6.1	
		Rubber on Aluminum	800			E52-RAB-0520-S-EHT			7.2	
		Rubber on Iron	400		E52-RIR-0520-S		E52-RIC-0520-S		9.1	
		Signature	500		E52-SWR-0520-S	E52-SWB-0520-S	E52-SWC-0520-S		6.5	
		Solid Urethane	1000			E52-MUB-0520-S			6.5	
		Urethane on Aluminum	1050		E52-UAR-0520-S		E52-UAC-0520-S		7.0	
		Urethane on Iron	1050		E52-UIR-0520-S		E52-UIC-0520-S		9.2	
Urethane Polypropylene	750	E52-UPR-0520-S	E52-UPB-0520-S	E52-UPC-0520-S	7.0					
V-Groove Iron	800	E52-VIR-0520-S		E52-VIC-0520-S	9.9					
6"	2"	Cast Iron	1200	7-1/2"	E52-CIR-0620-S	E52-CIB-0620-S	E52-CIC-0620-S	1-13/16"	11.2	
		Durastan	1200		E52-DUR-0620-S	E52-DUB-0620-S	E52-DUC-0620-S		8.0	
		Forged Steel	1400		E52-FSR-0620-S		E52-FSC-0620-S		12.5	
		GT	1400			E52-GTB-0620-S			8.0	
		High Temp. Nylon	1200		E52-HNR-0620-S				8.0	
		Omega	1000		E52-UOR-0620-S	E52-UOB-0620-S			10.5	
		Performance TPR	525		E52-RPR-0620-S	E52-RPB-0620-R	E52-RPC-0620-S		7.0	
		Pinnacle	1200		E52-PNR-0620-S	E52-PNB-0620-S	E52-PNC-0620-S		6.9	
		Polyolefin	700		E52-POR-0620-S	E52-POB-0620-S	E52-POC-0620-S		8.0	
		Rubber on Aluminum	820			E52-RAB-0620-S-EHT			9.5	
		Rubber on Iron	410		E52-RIR-0620-S		E52-RIC-0620-S		9.5	
		Signature	600		E52-SWR-0620-S	E52-SWB-0620-S	E52-SWC-0620-S		7.2	
		Solid Urethane	1200			E52-MUB-0620-S			6.9	
		Torus	1230			E52-UAB-0621-S			7.0	
		Urethane on Aluminum	1230		E52-UAR-0620-S		E52-UAC-0620-S		7.8	
Urethane on Iron	1230	E52-UIR-0620-S		E52-UIC-0620-S	10.5					
Urethane Polypropylene	900	E52-UPR-0620-S	E52-UPB-0620-S	E52-UPC-0620-S	7.0					
V-Groove Iron	1000	E52-VIR-0620-S		E52-VIC-0620-S	11.2					
8"	2"	Cast Iron	1400	10-1/8"	E52-CIR-0820-S	E52-CIB-0820-S	E52-CIC-0820-S	2-1/4"	15.3	
		Durastan	1200		E52-DUR-0820-S	E52-DUB-0820-S	E52-DUC-0820-S		9.7	
		GT	1400			E52-GTB-0820-S			9.7	
		Omega	1200		E52-UOR-0820-S	E52-UOB-0820-S			14.1	
		Performance TPR	600		E52-RPR-0820-S	E52-RPB-0820-R	E52-RPC-0820-S		9.0	
		Pinnacle	1400		E52-PNR-0820-S	E52-PNB-0820-S	E52-PNC-0820-S		7.8	
		Polyolefin	800		E52-POR-0820-S	E52-POB-0820-S	E52-POC-0820-S		7.7	
		Rubber on Aluminum	1000			E52-RAB-0820-S-EHT			12.2	
		Rubber on Iron	500		E52-RIR-0820-S		E52-RIC-0820-S		12.2	
		Signature	700		E52-SWR-0820-S	E52-SWB-0820-S	E52-SWC-0820-S		8.0	
		Solid Urethane	1400			E52-MUB-0820-S			8.0	
		Torus	1400			E52-UAB-0821-S			9.3	
		Urethane on Aluminum	1400		E52-UAR-0820-S		E52-UAC-0820-S		9.3	
		Urethane on Iron	1400		E52-UIR-0820-S		E52-UIC-0820-S		14.1	
		Urethane Polypropylene	1000		E52-UPR-0820-S	E52-UPB-0820-S	E52-UPC-0820-S		9.0	
V-Groove Iron	1050	E52-VIR-0820-S		E52-VIC-0820-S	15					

UP TO 1,400 POUND CAPACITY

# 53 Series Casters

RWM Caster's 53 Series features thicker legs and a 3/4" diameter axle that improves on our very popular 52 series. This caster is designed to stand up to most heavy duty industrial caster applications and is proudly Made in the U.S.A.



53-RIR-0625-S

## Features

**Swivel Section:** Cold formed top plate, yoke and button are all heat treated to prevent brinelling, improve swivel action and increase service life. Both load and thrust bearings are hardened and ground and raceway bearings rotate on hardened raceways. Top plate and legs are 1/4" steel. Legs are formed for increased strength and continuously welded to yoke. All swivel sections are equipped with a lubrication fitting for field maintenance. RWM lubricates all swivel sections prior to shipment.

**Capacity:** 1800 lbs.

**Kingpin:** 3/4" bolt and lock nut for increased swivel section strength

**Axle:** 3/4" diameter axle

**Finish:** Zinc plated to protect against corrosion

**Wheels:** Wheels are available with either 1" I.D. diameter straight roller bearings which rotate on a 1" O.D. hardened and ground spanner bushing, or 3/4" I.D. tapered bearing on a 3/4" axle. The tapered bearing configuration is highly recommended for high speed and side thrust applications.

**Mounting Plate Size:** 4 -1/2" x 6-1/2" x 1/4"

**Bolt Hole Spacing:**

2-7/16" x 4-15/16",  
slotted to 3-3/8" x 5-1/4"

**Mounting Bolt Diameter:** 1/2"



## Options

**CWB** Cam Wheel Brake

**HT** High Temperature Lubrication

**LT** Low Temperature Lubrication

**SL** Swivel Lock

**SR** Sealed Swivel Raceway

**WS** Wheel Seals

## Applications

The 53 Series is the perfect solution for:

- ◆ movable racks
- ◆ conveyor or dragline operations
- ◆ utility trucks
- ◆ corrugated box trucks
- ◆ maintenance carts
- ◆ heavy machinery

## SPECIFICATIONS

Wheel Diameter	Wheel Width	Wheel Type	lbs. Capacity	Overall Height	Swivel Caster Model Number			Swivel Lead	Approx Weight lbs.	
					Straight Roller Bearing	Ball Bearing	Tapered Roller Bearing			
5"	2-1/2"	Cast Iron	1800	7-1/8"	53-CIR-0525-S		53-CIT-0525-S	1-55/64"	13.7	
		Cast Iron	1800		53-CIR-0625-S				15.1	
		Durastan	1600		53-DUR-0625-S				10.8	
		Forged Steel	1800		53-FSR-0625-S		53-FST-0625-S		19.5	
		GT	1800			53-GTB-0625-S			1-7/8"	10.8
		Rubber on Iron	540		53-RIR-0625-S				13.8	
		Urethane on Iron	1620		53-UIR-0625-S		53-UIT-0625-S		17.0	
V-Groove Iron	1500	53-VIR-0625-S		53-VIT-0625-S	17.2					
6"	2-1/2"	Cast Iron	1800	7-5/8"	53-CIR-0825-S		53-CIT-0825-S	2-5/8"	19.7	
		Durastan	1800		53-DUR-0825-S				13.1	
		Forged Steel	1800		53-FSR-0825-S		53-FST-0825-S		29.6	
		GT	1800			53-GTB-0825-S			13.1	
		Rubber on Iron	670		53-RIR-0825-S				17.8	
		Urethane on Iron	1800		53-UIR-0825-S		53-UIT-0825-S		16.8	
		V-Groove Iron	1800		53-VIR-0825-S		53-VIT-0825-S		20.0	
8"	2-1/2"	Cast Iron	1800	10-1/4"	53-CIR-1025-S		53-CIT-1025-S	3"	23.7	
		Durastan	1800		53-DUR-1025-S				15.1	
		Rubber on Iron	790		53-RIR-1025-S		53-RIT-1025-S		19.0	
		Urethane on Iron	1800		53-UIR-1025-S		53-UIT-1025-S		24.2	
		V-Groove Iron	1800		53-VIR-1025-S					

To order a rigid caster, change the "S" to "R" in the model number. For example: "53-CIR-0825-R". To order a rig only, omit the blue letters. For example: "53-0825-S". Dimensions shown are nominal. If precise dimensions are required, consult your B&C representative. For approximate weight of our rigid casters, deduct 1.8 pounds.

### OPTIONAL MOUNTING PLATES

Opt. Top Plate #	Mounting Plate	Bolt Hole Spacing	Bolt Size
43ST 43RT	5" x 5-1/2"	4-1/8" x 4-1/2"	3/8"

### OPTIONAL OVERALL HEIGHTS

Wheel Diameter	Overall Height
5"	6-1/2"
6"	7-1/2"
8"	10-1/8"
10"	11-1/2"

UP TO 1,800 POUND CAPACITY

RWM Caster's Economy 53 Series is an economical version of our 53 Series for heavy duty industrial caster applications such as conveyor and dragline operations.

## Features

**Swivel Section:** Cold formed top plate, yoke and button are all heat treated to prevent brinelling, improve swivel action and increase service life. Both load and thrust bearings are hardened and ground and raceway bearings rotate on hardened raceways. Top plate and legs are 1/4" steel. Legs are formed for increased strength and continuously welded to yoke. Yokes are notched standard. All swivel sections are equipped with a lubrication fitting for field maintenance. RWM lubricates all swivel sections prior to shipment.

**Capacity:** 1800 lbs.

**Kingpin:** 3/4" bolt and lock nut for increased swivel section strength

**Axle:** 3/4" diameter axle

**Finish:** Zinc plated to protect against corrosion

**Wheels:** Wheels are available with either 1" I.D. diameter straight roller bearings which rotate on a 1" O.D. hardened and ground spanner bushing, or 3/4" I.D. tapered bearing on a 3/4" axle. The tapered bearing configuration is highly recommended for high speed and side thrust applications.

**Mounting Plate Size:** 4 -1/2" x 6-1/2" x 1/4"

**Bolt Hole Spacing:** 2-7/16" x 4-15/16" slotted to 3-3/8" x 5 1/4"

**Mounting Bolt Diameter:** 1/2"



E53-DUR-0625-S-WB

## Options

**WB** Wheel Brake - Rigid Only

**DSL** Demountable Swivel Lock

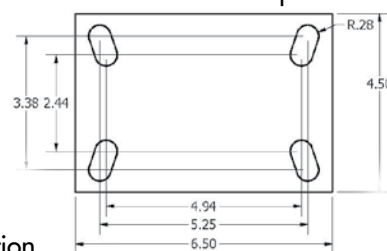
## Applications

The 53 Series is the perfect solution for:

- ◆ movable racks
- ◆ conveyor or dragline operations
- ◆ utility trucks
- ◆ corrugated box trucks
- ◆ maintenance carts



53 Series Standard Top Plate

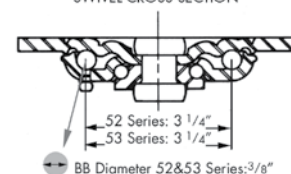


Rivet Cross Section



52 Series  
53 Series

SWIVEL CROSS SECTION



## SPECIFICATIONS

Wheel Diameter	Wheel Width	Wheel Type	lbs. Capacity	Overall Height	Swivel Caster Model Number			Swivel Lead	lbs. Approx Weight
					Straight Roller Bearing	Ball Bearing	Tapered Roller Bearing		
6"	2-1/2"	Cast Iron	1800	7-1/2"	E53-CIR-0625-S			1-7/8"	15.1
		Durastan	1600		E53-DUR-0625-S				10.8
		GT	1800			E53-GTB-0625-S			10.8
		Rubber on Iron	540		E53-RIR-0625-S				13.8
		Urethane on Iron	1620		E53-UIR-0625-S		E53-UIT-0625-S		17.0
8"	2-1/2"	Cast Iron	1800	10-1/8"	E53-CIR-0825-S			2-5/8"	19.7
		Durastan	1800		E53-DUR-0825-S				13.1
		GT	1800			E53-GTB-0825-S			13.1
		Rubber on Iron	670		E53-RIR-0825-S				17.8
		Urethane on Iron	1800		E53-UIR-0825-S		E53-UIT-0825-S		16.8

To order a rigid caster, change the "S" to "R" in the model number. For example : "E53-CIR-0825-R" To order a rig only, omit the blue letters. For example: "E53-0825-S" Dimensions shown are nominal. If precise dimensions are required, consult your RWM representative. For approximate weight of our rigid casters, deduct 1.8 pounds.

UP TO 1,800 POUND CAPACITY

# 54 Series Casters

RWM Caster's 54 Series is even stronger than our popular 53 series. This series is our largest conventional heavy duty kingpin style caster and is proudly Made in U.S.A. If you don't find the right caster for your application, let our engineering team custom design one for you.



54-RIR-0625-S

## Features

**Swivel Section:** Cold formed top plate, yoke and button are all heat treated to prevent brinelling, improve swivel action and increase service life. Both load and thrust bearings are hardened and raceway bearings rotate on hardened raceways. Top plate is forged from 3/8" thick steel plate. All swivel sections are equipped with a lubrication fitting for field maintenance. RWM lubricates all swivel sections prior to shipment.

**Capacity:** 3000 lbs.

**Kingpin:** 1" bolt and lock nut for increased swivel section strength

**Leg Thickness:** 5/16" formed steel welded inside and outside for additional strength

**Axle:** 3/4" bolt with lock or slotted nut as required

**Finish:** Zinc plated to protect against corrosion

**Wheels:** Wheels are available with either 1" I.D. diameter straight roller bearings which rotate on a 1" O.D. hardened and ground spanner bushing or a 3/4" I.D. tapered bearing which rotates on a 3/4" axle. The tapered bearing configuration is highly recommended for high speed and side thrust applications. All wheels are supplied with a lubrication fitting for field maintenance.

**Mounting Plate Size:** 5-1/4" x 7-1/4" x 3/8"

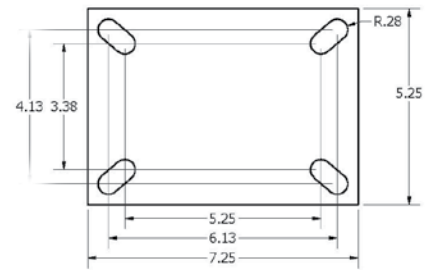
**Bolt Hole Spacing:** 3-3/8" x 5-1/4", slotted to 4-1/8" x 6-1/8"

**Mounting Bolt Diameter:** 1/2"

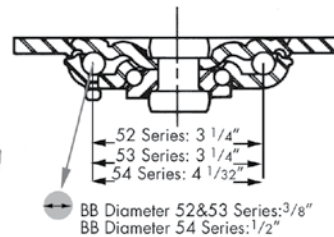
## Options

- CWB** Cam Wheel Brake
- DSL** Demountable Swivel Lock
- HT** High Temperature Lubrication
- LT** Low Temperature Lubrication
- SL** Swivel Lock
- SR** Sealed Swivel Raceway

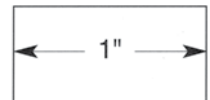
54 Standard Top Plate



Swivel Cross Section



Rivet Cross Section



54 Series

## Applications

The 54 Series is the perfect solution for:

- ◆ production racks and fixtures
- ◆ live skids and box trucks
- ◆ heavy equipment
- ◆ maintenance carts



UP TO 3,000 POUND CAPACITY

## CUSTOM FABRICATION

If you don't find the right caster for your application, let our engineering team create one for you.

We custom design caster, wheel and non-powered material handling solutions to meet your individual needs.

Many of our new product innovations offer major improvements in performance and maximize value to our customers.



SPECIFICATIONS									
Wheel Diameter	Wheel Width	Wheel Type	lbs. Capacity	Overall Height	Swivel Caster Model Number			Swivel Lead	lbs. Approx Weight
					Straight Roller Bearing	Ball Bearing	Tapered Roller Bearing		
4-1/2"	2-1/2"	Cast Iron	1500	6-1/2"	54-CIR-4525-S		54-CIT-4525-S	1-9/16"	18.1
6"	2-1/2"	Cast Iron	1800	7-3/4"	54-CIR-0625-S		54-CIT-0625-S	1-15/16"	19.3
		Durastan	1600		54-DUR-0625-S				15.0
		Forged Steel	3000		54-FSR-0625-S		54-FST-0625-S		23.0
		GT	2300			54-GTB-0625-S			15.0
		Rubber on Iron	540		54-RIR-0625-S				18.0
		Urethane on Iron	1620		54-UIR-0625-S		54-UIT-0625-S		21.2
		V-Groove Iron	2500		54-VIR-0625-S		54-VIT-0625-S		21.4
6"	3"	Cast Iron	3000	7-3/4"	54-CIR-0630-S		54-CIT-0630-S	1-15/16"	20.1
		Durastan	2000		54-DUR-0630-S				16.0
		Rubber on Iron	680		54-RIR-0630-S				17.0
		Urethane on Iron	2000		54-UIR-0630-S		54-UIT-0630-S		22.0
		V-Groove Forged	3000		54-VFR-0630-S		54-VFT-0630-S		24.4
8"	2-1/2"	Cast Iron	2000	9-3/4"	54-CIR-0825-S		54-CIT-0825-S	2-7/16"	23.8
		Durastan	2000		54-DUR-0825-S				17.2
		Forged Steel	3000		54-FSR-0825-S		54-FST-0825-S		26.7
		GT	2400			54-GTB-0825-S			17.2
		Rubber on Iron	670		54-RIR-0825-S				21.9
		Urethane on Iron	1800		54-UIR-0825-S		54-UIT-0825-S		20.9
		V-Groove Iron	3000		54-VIR-0825-S		54-VIT-0825-S		26.5
8"	3"	Cast Iron	2500	9-3/4"	54-CIR-0830-S		54-CIT-0830-S	2-7/16"	23.0
		Durastan	2500		54-DUR-0830-S				19.0
		Forged Steel	3000		54-FSR-0830-S		54-FST-0830-S		29.3
		Omega	1600		54-UOR-0830-S		54-UOT-0830-S		24.5
		Rubber on Iron	840		54-RIR-0830-S				23.7
		Rubber on Iron-EHT	1260		54-RIR-0830-S-EHT		54-RIT-0830-S-EHT		23.7
		Urethane on Iron	2500		54-UIR-0830-S		54-UIT-0830-S		27.7
		V-Groove Forged	3000		54-VFR-0830-S		54-VFT-0830-S		28.0
		V-Groove Iron	3000		54-VIR-0830-S		54-VIT-0830-S		26.5
10"	2-1/2"	Cast Iron	2500	11-1/2"	54-CIR-1025-S		54-CIT-1025-S	2-3/4"	27.7
		Durastan	2500		54-DUR-1025-S				19.1
		Rubber on Iron	790		54-RIR-1025-S		54-RIT-1025-S		22.8
		Urethane on Iron	2370		54-UIR-1025-S		54-UIT-1025-S		28.2
10"	3"	Cast Iron	3000	11-1/2"	54-CIR-1030-S		54-CIT-1030-S	2-3/4"	29.9
		Durastan	2900		54-DUR-1030-S				21.2
		Forged Steel	3000		54-FSR-1030-S		54-FST-1030-S		42.3
		GT	3000			54-GTB-1030-S			21.2
		Omega	2000		54-UOR-1030-S		54-UOT-1030-S		30.4
		Rubber on Iron	1000		54-RIR-1030-S		54-RIT-1030-S		25.9
		Rubber on Iron-EHT	1500		54-RIR-1030-S-EHT		54-RIT-1030-S-EHT		25.9
		Urethane on Iron	3000		54-UIR-1030-S		54-UIT-1030-S		31.7
		Ultra Thick Poly	3000		54-UTR-1030-S		54-UTT-1030-S		32.0
V-Groove Iron	3000	54-VIR-1030-S		54-VIT-1030-S	42.3				

UP TO 3,000 POUND CAPACITY

To order a rigid caster, change the "S" to "R" in the model number. For example: "54-CIR-0630-R". To order a rig only, omit the blue letters. For example: "54-0630-S". Dimensions shown are nominal. If precise dimensions are required, consult your B&C representative. For approximate weight of our rigid casters, deduct 3 pounds.

RWM's 48 Series swivel section is sealed for life, making it completely maintenance free. It is capable of all radial and thrust loads and offers ultra quiet operation. This ergonomic caster is designed for ease of movement and noise reduction and is proudly Made in the USA. Log onto our website to download free 3D CAD models.



48-GTB-0820-S

## Features

- Swivel Section:** Sealed precision swivel bearing
- Axle:** 1/2" diameter
- Finish:** Zinc plated to protect against corrosion
- Mounting Plate Size:** 4" x 4-1/2" x 1/4"
- Bolt Hole Spacing:** 2-5/8" x 3-5/8" slotted to 3" x 3"
- Mounting Bolt Diameter:** 3/8"
- Capacity:** 1500 lbs.

**FREE CAD Models On Our Website!**

**Mounting Plate** – With a variety of sizes available, our thick top plates increase the versatility and extend the caster life due to enhanced protection of the swivel section.

**Swivel Section** – Our exclusive swivel section consists of a heavy duty sealed precision ball bearing that is sealed for life at the factory making it *totally maintenance free*. It is capable of all radial and thrust loads and provides ultra quiet operation.

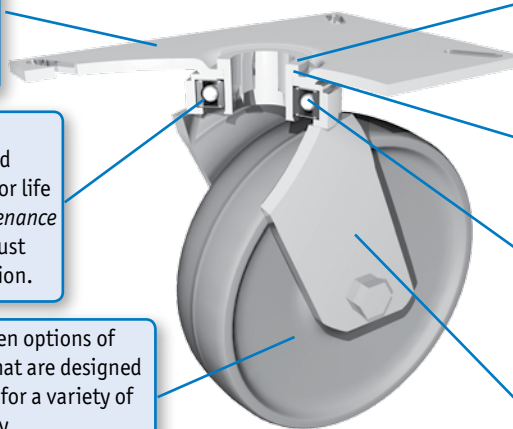
**Wheels** – We offer seventeen options of our finely crafted wheels that are designed for maximum performance for a variety of applications in any industry.

**Rivet (Kingpin)** – Our distinctive kingpin is larger in diameter and hydraulically staked to be stronger than any comparable load rated caster in the industry. This eliminates any possibility of kingpin stretch.

**Quiet** – Rivet welded to reduce vibration rattle.

**Bearings** – Precision ball bearings are totally sealed to protect against the damaging effects of water, dirt, grit or chemicals.

**Zinc Plating** – Zinc plating provides a sleek appearance as well as long-lasting corrosion resistance.



## Applications

The 48 Series is available with a variety of top plates, leg lengths, wheel and brake options. The Maintenance Free Freedom 48 Series is the perfect solution for almost any caster application including:

- ◆ dollies
- ◆ waste disposal trucks
- ◆ warehouse trucks
- ◆ floor trucks
- ◆ shop carts
- ◆ automotive assembly lines
- ◆ retail applications
- ◆ towline applications
- ◆ hotel/motel/casino application
- ◆ beer applications
- ◆ beverage applications
- ◆ vending applications
- ◆ medical applications

## Options

- DSL** Demountable Swivel Lock\*
- FG** Foot Guard
- FIFG** Field Installable Foot Guard
- ICWB** Installable Face Contact Brake
- NY** Notched Yoke
- SL** Swivel Lock
- WB** Side Wheel Brake (roller bearing only)
- WS** Wheel Seals
- WWB** Wrap Around Wheel Brake (roller bearing only)

\*When ordering the Demountable Swivel Lock (DSL), you must also order the Notched Yoke (NY).



COMPONENT

### Available NSF Products:

All casters except those with cast iron, soft rubber, Omega, rubber on iron, rubber on aluminum, forged steel, urethane on aluminum, urethane on iron, V-groove wheels. The following options are also not available; DSL, NY, SL, WS. Add "-N" to the end of the model number to specify an NSF approved caster. For example: 48-DUR-0620-S-N.

### OPTIONAL MOUNTING PLATES

Optional Top Plate Number	Mounting Plate	Bolt Hole Spacing	Bolt Size
42ST 42RT	4-1/2" x 6-1/2"	2-7/16" x 4-15/16" slotted to 3-3/8" x 5-1/4"	1/2"

To order a rigid caster, change the "S" to "R" in the model number in the chart on the next page. For example: "48-CIR-0620-R". To order a rig only, omit the blue letters. For example: "48-0620-S". Dimensions shown are nominal. If precise dimensions are required, consult your B&C representative. For approximate weight of our rigid casters, deduct 0.9 pounds per item.

UP TO 1,500 POUND CAPACITY

## \*Medium Duty Maintenance Free Casters

Wheel Diameter	Wheel Width	Wheel Type	lbs. Capacity	Overall Height	Swivel Caster Model Number			Swivel Lead	Approx Weight
					Straight Roller Bearing	Ball Bearing	Plain, Oilite, Celcon Bearing		
4"	2"	Cast Iron	800	5-5/8"	48-CIR-0420-S	48-CIB-0420-S	48-CIC-0420-S	1-3/16"	10.0
		Durastan	800		48-DUR-0420-S	48-DUB-0420-S	48-DUC-0420-S		8.0
		High Temp. Nylon	800		48-HNR-0420-S				8.0
		GT	1050			48-GTB-0420-S			7.0
		Nylatron HD	1500			48-NYB-0420-S			7.5
		Performance TPR	350		48-RPR-0420-S	48-RPB-0420-S	48-RPC-0420-S		8.0
		Pinnacle	800		48-PNR-0420-S	48-PNB-0420-S	48-PNC-0420-S		5.7
		Polyolefin	500		48-POR-0420-S	48-POB-0420-S	48-POC-0420-S		7.6
		Rubber On Aluminum	700			48-RAB-0420-S-EHT			8.0
		Rubber On Iron	350		48-RIR-0420-S		48-RIC-0420-S		8.0
		Signature	400		48-SWR-0420-S	48-SWB-0420-S	48-SWC-0420-S		5.9
		Solid Urethane	700			48-MUB-0420-S			5.9
		Urethane On Aluminum	700		48-UAR-0420-S		48-UAC-0420-S		7.5
		Urethane On Iron	700		48-UIR-0420-S		48-UIC-0420-S		8.0
		Urethane Polypropylene	600		48-UPR-0420-S	48-UPB-0420-S	48-UPC-0420-S		7.3
V-Groove Iron	800	48-VIR-0420-S		48-VIC-0420-S	10.0				
5"	2"	Cast Iron	1000	6-1/2"	48-CIR-0520-S	48-CIB-0520-S	48-CIC-0520-S	1-3/8"	12.0
		Durastan	1000		48-DUR-0520-S	48-DUB-0520-S	48-DUC-0520-S		9.0
		Forged Steel	1500		48-FSR-0520-S		48-FSC-0520-S		12.0
		High Temp. Nylon	1000		48-HNR-0520-S				9.0
		GT	1200			48-GTB-0520-S			8.0
		Nylatron HD	1500			48-NYB-0520-S			8.5
		Performance TPR	375		48-RPR-0520-S	48-RPB-0520-S	48-RPC-0520-S		9.0
		Pinnacle	1000		48-PNR-0520-S	48-PNB-0520-S	48-PNC-0520-S		5.9
		Polyolefin	650		48-POR-0520-S	48-POB-0520-S	48-POC-0520-S		8.7
		Rubber On Aluminum	800			48-RAB-0520-S-EHT			8.6
		Rubber On Iron	400		48-RIR-0520-S		48-RIC-0520-S		9.0
		Signature	500		48-SWR-0520-S	48-SWB-0520-S	48-SWC-0520-S		6.1
		Solid Urethane	1000			48-MUB-0520-S			6.1
		Urethane On Aluminum	1050		48-UAR-0520-S		48-UAC-0520-S		8.5
		Urethane On Iron	1050		48-UIR-0520-S		48-UIC-0520-S		9.0
Urethane Polypropylene	750	48-UPR-0520-S	48-UPB-0520-S	48-UPC-0520-S	7.3				
V-Groove Iron	800	48-VIR-0520-S		48-VIC-0520-S	12.0				
6"	2"	Cast Iron	1200	7-1/2"	48-CIR-0620-S	48-CIB-0620-S	48-CIC-0620-S	1-9/16"	13.0
		Durastan	1200		48-DUR-0620-S	48-DUB-0620-S	48-DUC-0620-S		10.0
		Forged Steel	1500		48-FSR-0620-S		48-FSC-0620-S		13.0
		High Temp. Nylon	1200		48-HNR-0620-S				10.0
		GT	1500			48-GTB-0620-S			10.0
		Omega	1000		48-UOR-0620-S	48-UOB-0620-S			12.0
		Performance TPR	525		48-RPR-0620-S	48-RPB-0620-S	48-RPC-0620-S		10.0
		Pinnacle	1200		48-PNR-0620-S	48-PNB-0620-S	48-PNC-0620-S		6.5
		Polyolefin	700		48-POR-0620-S	48-POB-0620-S	48-POC-0620-S		8.7
		Rubber On Aluminum	820			48-RAB-0620-S-EHT			10.0
		Rubber On Iron	410		48-RIR-0620-S		48-RIC-0620-S		10.0
		Signature	600		48-SWR-0620-S	48-SWB-0620-S	48-SWC-0620-S		6.8
		Solid Urethane	1200			48-MUB-0620-S			6.8
		Torus	1230			48-UAB-0621-S			11.0
		Urethane On Aluminum	1230		48-UAR-0620-S		48-UAC-0620-S		11.0
Urethane On Iron	1230	48-UIR-0620-S		48-UIC-0620-S	12.0				
Urethane Polypropylene	900	48-UPR-0620-S	48-UPB-0620-S	48-UPC-0620-S	7.7				
V-Groove Iron	1000	48-VIR-0620-S		48-VIC-0620-S	13.0				
8"	2"	Cast Iron	1400	9-1/2"	48-CIR-0820-S	48-CIB-0820-S	48-CIC-0820-S	2"	16.0
		Durastan	1400		48-DUR-0820-S	48-DUB-0820-S	48-DUC-0820-S		11.0
		GT	1500			48-GTB-0820-S			14.0
		Omega	1200		48-UOR-0820-S	48-UOB-0820-S			13.0
		Performance TPR	600		48-RPR-0820-S	48-RPB-0820-S	48-RPC-0820-S		11.0
		Pinnacle	1400		48-PNR-0820-S	48-PNB-0820-S	48-PNC-0820-S		7.0
		Polyolefin	800		48-POR-0820-S	48-POB-0820-S	48-POC-0820-S		9.1
		Rubber On Aluminum	1000			48-RAB-0820-S-EHT			11.0
		Rubber On Iron	500		48-RIR-0820-S		48-RIC-0820-S		11.0
		Signature	700		48-SWR-0820-S	48-SWB-0820-S	48-SWC-0820-S		7.0
		Solid Urethane	1500			48-MUB-0820-S			7.4
		Torus	1500			48-UAB-0821-S			12.2
		Urethane On Aluminum	1500		48-UAR-0820-S		48-UAC-0820-S		12.0
		Urethane On Iron	1500		48-UIR-0820-S		48-UIC-0820-S		13.0
		Urethane Polypropylene	1000		48-UPR-0820-S	48-UPB-0820-S	48-UPC-0820-S		9.1
V-Groove Iron	1050	48-VIR-0820-S		48-VIC-0820-S	16.0				

UP TO 1,500 POUND CAPACITY

\* Must order Sealed Precision Ball Bearing equipped wheels to be completely maintenance free.



RWM Casters Freedom 68 Series industrial casters feature an ultra quiet design that eliminates swivel chatter for silent operation. It is designed utilizing a sealed precision raceway with zero slack tolerances for continuous towing applications, demanding impact applications and durability due to the heavy duty construction. The 68 series is totally maintenance free and requires no lubrication. It offers up to 2500 pound capacity. The type II zinc dye chromate finish is standard for extended corrosion resistance. Our 68 Series Casters are proudly Made in the USA. Log onto our website to download free 2D or 3D CAD drawings and models of this caster. Don't see what you want?



68-UAB-0821-S-92A



68-GTB-0820-R

## Features

**Axle:** 1/2" diameter for 2" wide casters, 3/4" wide for 2.5" and 3" casters

**Finish:** Type II Zinc Dye Chromate finish for extended corrosion resistance

**Mounting Plate Size:** 4-1/2" x 6-1/2" x 5/16" thick

**Bolt Hole Spacing:** 2-7/16" x 4-15/16" slotted to 3-3/8" x 5-1/4"

**Mounting Bolt Diameter:** 1/2"

**Swivel Sections:** Sealed precision swivel bearing, Leg thickness 1/4".

**Options:** CWB, DSL, PCWB

**Capacity:** 2500 lbs.

**Custom Sizes Available.**

**Contact RWM for more options.**

## Applications

The Freedom Tow Pro 68 Series Casters typical applications include:

- ◆ dollies
- ◆ tow lines
- ◆ platform trucks
- ◆ towline fixtures
- ◆ automotive applications
- ◆ aerospace applications
- ◆ assembly plants

### OPTIONAL MOUNTING PLATES

Optional Top Plate Number	Mounting Plate	Bolt Hole Spacing	Bolt Size
90ST* 90RT	6" x 7"	4-5/8" x 5-1/2" slotted to 4-3/8" x 5-5/8"	1/2"
95ST* 95RT	6" x 7-1/2"	4-1/2" x 6" slotted to 4-1/8" x 6-1/8"	1/2"
76ST** 76RT	5-1/4" x 7-1/4"	3-3/8" x 5-1/4", slotted to 4-1/8" x	1/2"

\*add 3/16" OAH when using this top plate

\*\*add 1/16" OAH when using this top plate

## Options

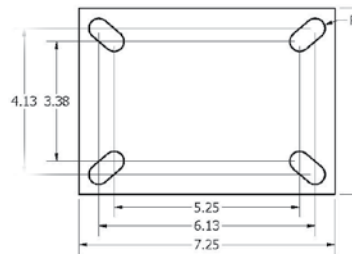
**DSL** Demountable Swivel Lock

**CWB** Cam Wheel Brake

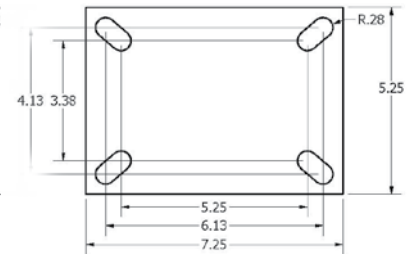
**FG** Foot Guard

**PCWB** Poly Cam Brake (available on 3" wide casters only)

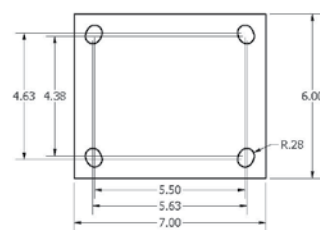
68 Standard Top Plate



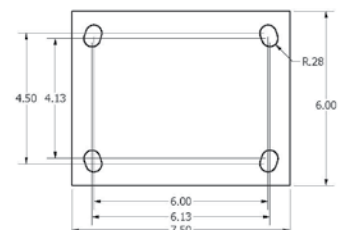
Optional 76ST/76RT Top Plate



Optional 90ST/90RT Top Plate



Optional 95ST/95RT Top Plate



UP TO 2,500 POUND CAPACITY

Wheel Diameter	Wheel Width	Wheel Type	lbs.Capacity	Overall Height	Sealed Precision Ball Bearing	Swivel Lead	Approx Weight
4"	2"	GT	1050	6-3/8"	68-GTB-0420-S	1-1/4"	9
		Nylatron HD	2000		68-NYB-0420-S		10
		Rubber on Aluminum-EHT	700		68-RAB-0420-S-EHT		9.6
		Signature	400		68-SWB-0420-S		9
		Solid Urethane	700		68-MUB-0420-S		9.1
5"	2"	GT	1200	7-5/16"	68-GTB-0520-S	1-7/16"	12.5
		Nylatron HD	2000		68-NYB-0520-S		13
		Rubber on Aluminum-EHT	800		68-RAB-0520-S-EHT		12
		Signature	500		68-SWB-0520-S		11
		Solid Urethane	1000		68-MUB-0520-S		11.4
6"	2"	GT	1500	8-1/4"	68-GTB-0620-S	1-11/16"	14.8
		Nylatron HD	2200		68-NYB-0620-S		15
		Omega	1000		68-UOB-0620-S		17
		Rubber on Aluminum-EHT	820		68-RAB-0620-S-EHT		14.7
		Signature	600		68-SWB-0620-S		14
		Solid Urethane	1200		68-MUB-0620-S		13.8
		Torus	1230		68-UAB-0621-S-92A		15.1
		Urethane on Iron	1230		68-UIB-0620-S-92A		17.1
6"	2 1/2"	GT	2300	8-1/4"	68-GTB-0625-S	1-11/16"	16
6"	3"	Solid Urethane	2000	8-1/4"	68-MUB-0630-S	1-11/16"	17
		Nylatron HD	2500		68-NYB-0630-S		16
8"	2"	GT	1800	10-1/8"	68-GTB-0820-S	2-3/16"	17
		Infinity	2000		68-UIB-0820-S-INF		22
		Nylatron HD	2500		68-NYB-0820-S		18
		Omega	1200		68-UOB-0820-S		20
		Performance TPR	600		68-RPB-0820-S		17
		Rubber on Aluminum-EHT	750		68-RAB-0820-S-EHT		17
		Signature	700		68-SWB-0820-S		7.1
		Solid Urethane	1500		68-MUB-0820-S		16
		Torus	1500		68-UAB-0821-S-92A		15
		Urethane on Iron	1500		68-UIB-0820-S-92A		21
Whisper Wheel	1500	68-UWB-0820-S	20				
8"	2 1/2"	GT	2400	10-1/8"	68-GTB-0825-S	2-3/16"	17.5
8"	3"	Infinity	2500	10-1/8"	68-UIB-0830-S-INF	2-3/16"	24
		Omega	1600		68-UOB-0830-S		25
		Solid Urethane	2500		68-MUB-0830-S		21
		Whisper Wheel	2500		68-UWB-0830-S		34
10"	3"	GT	2500	12-3/16"	68-GTB-1030-S	2-1/2"	25
		Infinity	2500		68-UIB-1030-S-INF		38
		Omega	2000		68-UOB-1030-S		35.2
		Rubber on Aluminum-EHT	2000		68-RAB-1030-S-EHT		23
		Solid Urethane	2500		68-MUB-1030-S		24
		Whisper Wheels	2500		68-UWB-1030-S		37
12"	3"	Rubber on Aluminum-EHT	2280	14-3/16"	68-RAB-1230-S-EHT	3-1/4"	28.5
		Whisper Wheel	2500		68-UWB-1230-S		45

UP TO 2,500 POUND CAPACITY



To order a rigid caster, change the "S" to "R" in the model number. For example: "68-RAB-0820-R". To order a rig only, omit the blue letters. For example: "68-0820-S". Dimensions shown are nominal. If precise dimensions are required, consult your B&C representative. For approximate weight of our rigid caster, deduct 1.5 pounds.

*Custom Sizes Available. Contact B&C for more options.*

# 47 Series Casters

**RAPIDSTOCK™**

This is our lightest duty Kingpinless™ caster series. The 47 Series is excellent in demanding applications requiring a product that will withstand shock, continuous use and abusive conditions. This medium duty series features our patented offset raceway for additional strength and is proudly Made in the U.S.A.



47-RAB-0820-S

## Features

**Raceway Design:** Patented Kingpinless™ single ball bearing precision machined raceway hardened to 53 Rockwell C. minimum. Swivel section features 2 1/8" diameter raceway with 1/4" ball bearings.

**Capacity:** 1500 lbs.

**Swivel Section:** All swivel sections are supplied with a lubrication fitting for field maintenance. Notched yokes are standard.

**Leg Thickness:** 1/4" formed steel

**Axle:** 1/2" bolt and locking nut drilled with lube fitting

**Finish:** Zinc plated to protect against corrosion

**Mounting Plate Size:** 4" x 4-1/2" x 1/4"

**Bolt Hole Spacing:** 2-5/8" x 3-5/8" slotted to 3" x 3"

**Mounting Bolt Diameter:** 3/8"

## Options

- CWB** Cam Wheel Brake
- DSL** Demountable Swivel Lock
- FIFG** Field Installable Foot Guard
- FG** Foot Guard
- FOSL** Foot Operated Swivel Lock
- HT** High Temperature Lubrication
- HTP** High Temperature Paint
- ICWB** Installable Face Contact Brake
- LT** Low Temperature Lubrication
- SL** Swivel Lock
- TG** Thread Guards
- WB** Side Wheel Brake with Roller Bearing only
- WS** Wheel Seals
- WWB** Wraparound Wheel Brake

## Applications

The 47 Series is ideal for:

- ◆ assembly lines
- ◆ ground support equipment
- ◆ boat and ship building
- ◆ warehousing carts
- ◆ automotive applications
- ◆ handling carts
- ◆ aerospace applications
- ◆ machinery
- ◆ metal fabricating

### OPTIONAL OVERALL HEIGHTS

Wheel Diameter	Overall Height
4"	5-9/16"
5"	6-11/16"
6"	7-1/4"
8"	10-1/8"

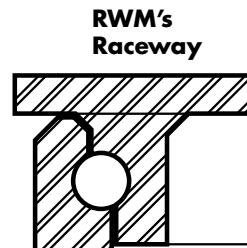
### OPTIONAL MOUNTING PLATES

Optional Top Plate Number	Mounting Plate	Bolt Hole Spacing	Bolt Size
41ST 41RT	4" x 5"	2-5/8" x 3-5/8" slotted to 3" x 4"	3/8"
42ST 42RT	4-1/2" x 6-1/2"	2-7/16" x 4-15/16" slotted to 3-3/8" x 5-1/4"	1/2"
43ST 43RT	5" x 5-1/2"	4-1/8" x 4-1/2"	3/8"

## RWM's Patented Offset Raceway - Why It's a Superior Design

Our patented offset precision-machined raceway exerts radial force evenly where there is full contact between the ball bearing and the raceway. RWM's unique design adds more mass at key points. This, plus more thorough heat treatment, provides additional strength and combats brinelling into the core material. The result:

- ◆ No direct "hammering" forces on the intersections of the raceways
- ◆ Vastly reduced raceway wear
- ◆ Elimination of the "pull apart" forces of stress in the swivel section
- ◆ Smoother swiveling action
- ◆ High maneuverability
- ◆ Longer service life
- ◆ Less maintenance
- ◆ Extra impact resistance
- ◆ High radial force absorption



UP TO 1,500 POUND CAPACITY

To order a rigid caster, change the "S" to "R" in the model number. For example, "47-UPB-0520-R". To order a rig only, omit the blue letters. For example: "47-0520-S". For approximate weight of rigid caster deduct .7 pounds. Dimensions shown are nominal. If precise dimensions are required, please consult your B&C representative.

Wheel Diameter	Wheel Width	Wheel Type	lbs.Capacity	Overall Height	Swivel Caster Model Number			Swivel Lead	Approx Weight
					Caged, Straight Roller Bearing	Flanged, Sealed Precision, 1 pc. Ball Bearing	Plain, Oilite, Celcon Bearing		
4"	1-1/2"	Forged Steel	1400	5-5/8"	47-FSR-0415-S		47-FSC-0415-S	1-11/32"	7.0
		Cast Iron	800		47-CIR-0420-S	47-CIB-0420-S	47-CIC-0420-S		6.5
		Durastan	800		47-DUR-0420-S	47-DUB-0420-S	47-DUC-0420-S		5.2
		GT	1050			47-GTB-0420-S			5.0
		High Temp. Nylon	800		47-HNR-0420-S				5.2
		Nylatron HD	1400			47-NYB-0420-S			5.5
		Performance TPR	350		47-RPR-0420-S	47-RPB-0420-S	47-RPC-0420-S		5.3
		Pinnacle	800		47-PNR-0420-S	47-PNB-0420-S	47-PNC-0420-S		5.2
		Polyolefin	500		47-POR-0420-S	47-POB-0420-S	47-POC-0420-S		4.8
		Rubber on Aluminum	700			47-RAB-0420-S-EHT			7.4
		Rubber on Iron	350		47-RIR-0420-S		47-RIC-0420-S		7.5
		Signature	400		47-SWR-0420-S	47-SWB-0420-S	47-SWC-0420-S		5.5
		Solid Urethane	700			47-MUB-0420-S			5.5
		Urethane on Aluminum	700		47-UAR-0420-S		47-UAC-0420-S		5.0
		Urethane on Iron	700		47-UIR-0420-S		47-UIC-0420-S		6.6
		Urethane Polypropylene	600		47-UPR-0420-S	47-UPB-0420-S	47-UPC-0420-S		5.3
		V-Groove Iron	800		47-VIR-0420-S		47-VIC-0420-S		7.6
5"	2"	Cast Iron	1000	6-1/2"	47-CIR-0520-S	47-CIB-0520-S	47-CIC-0520-S	1-1/2"	7.8
		Durastan	1000		47-DUR-0520-S	47-DUB-0520-S	47-DUC-0520-S		5.4
		Forged Steel	1500		47-FSR-0520-S		47-FSC-0520-S		8.1
		GT	1200			47-GTB-0520-S			6.0
		High Temp. Nylon	1000		47-HNR-0520-S				5.4
		Nylatron HD	1500			47-NYB-0520-S			6.5
		Performance TPR	375		47-RPR-0520-S	47-RPB-0520-S	47-RPC-0520-S		5.3
		Pinnacle	1000		47-PNR-0520-S	47-PNB-0520-S	47-PNC-0520-S		5.6
		Polyolefin	650		47-POR-0520-S	47-POB-0520-S	47-POC-0520-S		4.6
		Rubber on Aluminum	800			47-RAB-0520-S-EHT			7.5
		Rubber on Iron	400		47-RIR-0520-S		47-RIC-0520-S		7.6
		Signature	500		47-SWR-0520-S	47-SWB-0520-S	47-SWC-0520-S		5.7
		Solid Urethane	1000			47-MUB-0520-S			5.7
		Urethane on Aluminum	1050		47-UAR-0520-S		47-UAC-0520-S		5.5
		Urethane on Iron	1050		47-UIR-0520-S		47-UIC-0520-S		7.7
		Urethane Polypropylene	750		47-UPR-0520-S	47-UPB-0520-S	47-UPC-0520-S		5.3
		V-Groove Iron	800		47-VIR-0520-S		47-VIC-0520-S		9.9
6"	2"	Cast Iron	1200	7-1/2"	47-CIR-0620-S	47-CIB-0620-S	47-CIC-0620-S	1-3/4"	9.1
		Durastan	1200		47-DUR-0620-S	47-DUB-0620-S	47-DUC-0620-S		6.3
		Forged Steel	1500		47-FSR-0620-S		47-FSC-0620-S		10.0
		GT	1500			47-GTB-0620-S			8.0
		High Temp Nylon	1200		47-HNR-0620-S				6.3
		Omega	1000		47-UOR-0620-S	47-UOB-0620-S			8.8
		Performance TPR	525		47-RPR-0620-S	47-RPB-0620-S	47-RPC-0620-S		5.7
		Pinnacle	1200		47-PNR-0620-S	47-PNB-0620-S	47-PNC-0620-S		6.2
		Polyolefin	700		47-POR-0620-S	47-POB-0620-S	47-POC-0620-S		5.0
		Rubber on Aluminum	820			47-RAB-0620-S-EHT			7.8
		Rubber on Iron	410		47-RIR-0620-S		47-RIC-0620-S		7.8
		Signature	600		47-SWR-0620-S	47-SWB-0620-S	47-SWC-0620-S		6.4
		Solid Urethane	1200			47-MUB-0620-S			6.4
		Torus	1230			47-UAB-0621-S			7
		Urethane on Aluminum	1230		47-UAR-0620-S		47-UAC-0620-S		6.3
		Urethane on Iron	1230		47-UIR-0620-S	47-UIB-0620-S	47-UIC-0620-S		8.8
		Urethane Polypropylene	900		47-UPR-0620-S	47-UPB-0620-S	47-UPC-0620-S		5.7
V-Groove Iron	1000	47-VIR-0620-S		47-VIC-0620-S	10.9				
8"	2"	Cast Iron	1400	9-1/2"	47-CIR-0820-S	47-CIB-0820-S	47-CIC-0820-S	2-1/8"	13.3
		Durastan	1400		47-DUR-0820-S	47-DUB-0820-S	47-DUC-0820-S		7.7
		GT	1500			47-GTB-0820-S			12.2
		Omega	1200		47-UOR-0820-S	47-UOB-0820-S			12.2
		Performance TPR	600		47-RPR-0820-S	47-RPB-0820-S	47-RPC-0820-S		7.7
		Pinnacle	1400		47-PNR-0820-S	47-PNB-0820-S	47-PNC-0820-S		6.9
		Polyolefin	800		47-POR-0820-S	47-POB-0820-S	47-POC-0820-S		5.8
		Rubber on Aluminum	1000			47-RAB-0820-S-EHT			10.1
		Rubber on Iron	500		47-RIR-0820-S		47-RIC-0820-S		10.2
		Signature	700		47-SWR-0820-S	47-SWB-0820-S	47-SWC-0820-S		7.1
		Solid Urethane	1500			47-MUB-0820-S			7.1
		Torus	1500			47-UAB-0821-S			7
		Urethane on Aluminum	1500		47-UAR-0820-S		47-UAC-0820-S		7.3
		Urethane on Iron	1500		47-UIR-0820-S	47-UIB-0820-S	47-UIC-0820-S		12.1
		Urethane Polypropylene	1000		47-UPR-0820-S	47-UPB-0820-S	47-UPC-0820-S		7.7
		V-Groove Iron	1050		47-VIR-0820-S		47-VIC-0820-S		15.3

UP TO 1,500 POUND CAPACITY

# 65 Series Casters

**RAPIDSTOCK**

RWM Casters 65 Series industrial casters feature the patented Kingpinless™ caster design. RWM patented this design that has proven to be the best solution for demanding applications such as automotive towlines, assembly lines and various heavy duty industrial applications. This is the Kingpinless™ caster design that all others are copying because it is simply unmatched in extending service life and reducing all possible causes for caster failure.



65-GTB-0820-S

The 65 Series kingpinless caster is recommended for a wide range of industrial caster applications. Our 65 Series industrial casters are proudly made in the USA. Log in to our website to download free 3D CAD drawings & models of this caster. If our standard product line doesn't meet your specifications, give us a call.

## Features

**Raceway Design:** Patented Kingpinless™ single ball bearing precision machined raceway hardened to 53 Rockwell C. minimum. Swivel section features a 2-3/8" diameter raceway with 3/8" ball bearings.

**Leg Thickness:** 1/4" formed steel

**Axle:** 1/2" bolt and lock nut drilled with lube fitting

**Finish:** Zinc plated to protect against corrosion

**Wheels:** Wheels are available with a straight roller bearing which rotates on a hardened and ground spanner bushing, an annular ball bearing for ease of rollability or a celcon bearing

**Mounting Plate Size:** 4" x 4-1/2" x 1/4"

**Bolt Hole Spacing:** 2-5/8" x 3-5/8", slotted to 3" x 3"

**Mounting Bolt Diameter:** 3/8"

**Swivel Sections:** All swivel sections are supplied with a lubrication fitting for field maintenance.

**Capacity:** 2,000 lbs.

## Options

- CWB** Cam Wheel Brake
- DSL** Demountable Swivel Lock
- FG** Foot Guard
- FIFG** Field Installable Foot Guard
- HT** High Temperature Lubrication
- HTP** High Temperature Paint
- ICWB** Installable Face Contact Brake
- LP** Locking Plate-Total Lock for 8" Casters Only
- LT** Low Temperature Lubrication
- SL** Swivel Lock
- SR** Sealed Raceway
- TG** Thread Guards
- WB** Side Wheel Brake (roller bearing only)
- WS** Wheel Seals
- WWB** Wrap Around Wheel Brake (roller bearing only)
- FOSL** Foot Operated Swivel Lock

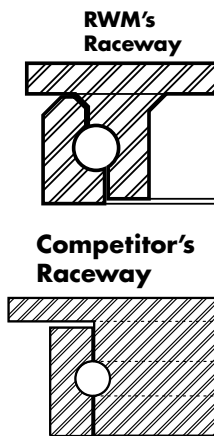
## Applications

The 65 Series heavy duty Kingpinless™ Casters are used in the following:

- ◆ Aircraft Maintenance and Support Applications
- ◆ Towing applications
- ◆ Automotive Assembly Lines
- ◆ Heavy Duty Industrial Applications
- ◆ Manufacturing Applications
- ◆ NSF available

## RWM's Patented Offset Raceway Why It's a Superior Design

Our patented offset precision-machined raceway exerts radial force evenly where there is full contact between the ball bearing and the raceway. RWM's unique design adds more mass at key points. This, plus more thorough heat treatment, provides additional strength and combats brinelling into the core material.



## OPTIONAL MOUNTING PLATES

Optional Top Plate Number	Mounting Plate	Bolt Hole Spacing	Bolt Size
41ST 41RT	4" x 5"	2-5/8" x 3-5/8" slotted to 3" x 4"	3/8"
42ST 42RT	4-1/2" x 6-1/2"	2-7/16" x 4-15/16" slotted to 3-3/8" x 5-1/4"	1/2"
43ST 43RT	5" x 5-1/2"	4-1/8" x 4-1/2"	3/8"

## OPTIONAL OVERALL HEIGHTS

Wheel Diameter	Overall Height
4"	5-9/16"
5"	6-11/16"
6" *	7-5/8"
8" **	9-1/2"



### Available NSF Products:

All casters except those with the cast iron, soft rubber, Omega, rubber on iron, rubber on aluminum, forged steel, urethane on aluminum, urethane on iron, or V-groove wheels. The following options are not available: DSL, HT, LT, SL, SR, TG, WS. Add "-N" to the end of the model number to specify an NSF approved caster. For example: 65-DUR-0620-S-N.

To order a rigid caster, change the "S" to "R" in the model number. For example: "65-CIR-0520-R". To order a rig only, omit the blue letters. For example: "65-0520-S". Dimensions shown are nominal. If precise dimensions are required, consult your B&C representative. For approximate weight of our rigid caster, deduct 1.5 pounds.

UP TO 2,000 POUND CAPACITY

## SPECIFICATIONS

Wheel Diameter	Wheel Width	Wheel Type	lbs. Capacity	Overall Height	Swivel Caster Model Number			Swivel Lead	lbs. Approx Weight	
					Caged, Straight Roller Bearing	Flanged, Sealed Precision, 1 pc. Ball Bearing	Plain, Oilite, Celcon Bearing			
4"	1-1/2"	Forged Steel	1400	5-5/8"	65-FSR-0415-S		65-FSC-0415-S	1-3/16"	9.0	
		Cast Iron	800	5-5/8"	65-CIR-0420-S	65-CIB-0420-S	65-CIC-0420-S	1-3/16"	10.0	
		Durastan	800		65-DUR-0420-S	65-DUB-0420-S	65-DUC-0420-S		8.0	
		GT	1050		65-HNR-0420-S				65-GTB-0420-S	8.0
		High Temp. Nylon	800						8.0	
		Nylatron HD	2000						8.5	
		Performance TPR	350						7.3	
		Pinnacle	800		65-RPR-0420-S	65-RPB-0420-S	65-RPC-0420-S		7.3	
		Polyolefin	500		65-PNR-0420-S	65-PNB-0420-S	65-PNC-0420-S		8.0	
		Rubber on Aluminum	700		65-POR-0420-S	65-POB-0420-S	65-POC-0420-S		7.6	
		Rubber on Iron	350		65-RIR-0420-S	65-RAB-0420-S-EHT			65-RIC-0420-S	8.0
		Signature	400						7.0	
		Solid Urethane	700						7.0	
		Urethane on Aluminum	700						7.5	
		Urethane on Iron	700		65-UAR-0420-S		65-UAC-0420-S		8.0	
		Urethane Polypropylene	600		65-UIR-0420-S		65-UIC-0420-S		7.3	
V-Groove Iron	800	65-UPR-0420-S	65-UPB-0420-S		65-UPC-0420-S	10.0				
		65-VIR-0420-S		65-VIC-0420-S						
5"	2"	Cast Iron	1000	6-1/2"	65-CIR-0520-S	65-CIB-0520-S	65-CIC-0520-S	1-3/8"	12.0	
		Durastan	1000		65-DUR-0520-S	65-DUB-0520-S	65-DUC-0520-S		9.0	
		Forged Steel	1500		65-FSR-0520-S		65-FSC-0520-S		12.0	
		GT	1200		65-HNR-0520-S		65-GTB-0520-S		9.0	
		High Temp. Nylon	1000						9.0	
		Nylatron HD	2000						9.5	
		Performance TPR	375						7.3	
		Pinnacle	1000		65-RPR-0520-S	65-RPB-0520-S	65-RPC-0520-S		9.0	
		Polyolefin	650		65-PNR-0520-S	65-PNB-0520-S	65-PNC-0520-S		8.7	
		Rubber on Aluminum	800		65-POR-0520-S	65-POB-0520-S	65-POC-0520-S		8.6	
		Rubber on Iron	400		65-RIR-0520-S	65-RAB-0520-S-EHT	65-RIC-0520-S		9.0	
		Signature	500						7.6	
		Solid Urethane	1000						7.6	
		Urethane on Aluminum	1050						8.5	
		Urethane on Iron	1050		65-UAR-0520-S		65-UAC-0520-S		9.0	
		Urethane Polypropylene	750		65-UIR-0520-S		65-UIC-0520-S		7.3	
V-Groove Iron	800	65-UPR-0520-S	65-UPB-0520-S	65-UPC-0520-S	12.0					
		65-VIR-0520-S		65-VIC-0520-S						
6"	2"	Cast Iron	1200	7-1/2"	65-CIR-0620-S	65-CIB-0620-S	65-CIC-0620-S	Optional 2-1/2"	13.0	
		Durastan	1200		65-DUR-0620-S	65-DUB-0620-S	65-DUC-0620-S		10.0	
		Forged Steel	1800		65-FSR-0620-S		65-FSC-0620-S		13.0	
		GT	1500		65-HNR-0620-S		65-GTB-0620-S		10.0	
		High Temp. Nylon	1200						10.0	
		Nylatron HD	2000						11.0	
		Omega	1000						12.0	
		Performance TPR	525		65-UOR-0620-S	65-UOB-0620-S	65-UOC-0620-S		7.7	
		Pinnacle	1200		65-RPR-0620-S	65-RPB-0620-S	65-RPC-0620-S		10.0	
		Polyolefin	700		65-PNR-0620-S	65-PNB-0620-S	65-PNC-0620-S		8.7	
		Rubber on Aluminum	820		65-POR-0620-S	65-POB-0620-S	65-POC-0620-S		10.0	
		Rubber on Iron	410		65-RIR-0620-S	65-RAB-0620-S-EHT	65-RIC-0620-S		10.0	
		Signature	600						9.0	
		Solid Urethane	1200						9.0	
		Torus	1230						11.0	
		Urethane on Aluminum	1230		65-UAR-0620-S		65-UAC-0620-S		11.0	
Urethane on Iron	1230	65-UIR-0620-S		65-UIC-0620-S	12.0					
Urethane Polypropylene	900	65-UPR-0620-S	65-UPB-0620-S	65-UPC-0620-S	7.7					
V-Groove Iron	1000	65-VIR-0620-S		65-VIC-0620-S	13.0					
8"	2"	Cast Iron	1400	10-1/8"	65-CIR-0820-S	65-CIB-0820-S	65-CIC-0820-S	Optional 2-1/4" 2-1/2" & 3-1/2"	16.0	
		Durastan	1400		65-DUR-0820-S	65-DUB-0820-S	65-DUC-0820-S		11.0	
		GT	1800		65-HNR-0820-S		65-GTB-0820-S		11.0	
		Nylatron HD	2000						12.0	
		Omega	1200						13.0	
		Performance TPR	600						9.1	
		Pinnacle	1400		65-UOR-0820-S	65-UOB-0820-S	65-UOC-0820-S		11.0	
		Polyolefin	800		65-RPR-0820-S	65-RPB-0820-S	65-RPC-0820-S		9.1	
		Rubber on Aluminum	1000		65-PNR-0820-S	65-PNB-0820-S	65-PNC-0820-S		11.0	
		Rubber on Iron	500		65-POR-0820-S	65-POB-0820-S	65-POC-0820-S		9.1	
		Signature	700		65-RIR-0820-S	65-RAB-0820-S-EHT	65-RIC-0820-S		11.0	
		Solid Urethane	1500						11.0	
		Torus	1050						10.0	
		Urethane on Aluminum	1500						65-UAR-0820-S	
		Urethane on Iron	1500		65-UIR-0820-S		65-UIC-0820-S		12.0	
		Urethane Polypropylene	1000		65-UPR-0820-S	65-UPB-0820-S	65-UPC-0820-S		13.0	
Torus	1500	65-VIR-0820-S		65-VIC-0820-S	9.1					
			65-UAB-0821-S		12.0					

UP TO 2,000 POUND CAPACITY

# 70 Series Casters

RWM Caster's 70 Series features extra heavy duty kingpinless caster construction using our patented offset raceway for additional strength. This caster is one of our earliest success stories and is still proven to outperform kingpin design casters in demanding industrial caster applications. This caster series is proudly Made in the USA!



70-VIR-0830-S

## Features

team can custom design a caster for any application!  
**Raceway Design:** 2-3/4" diameter with 1/2" carbon steel balls. Load and thrust are accommodated by our patented Kingpinless™ design. Precision machined; hardened to 53 Rockwell C. minimum.

**Capacity:** 6000 lbs

**Leg Thickness:** 1/4" formed steel

**Axle:** 1/2" bolt and nut. Lubrication - Zerk fitting in axle on 2" wide wheels, 3/4" axle on 2-1/2" and 3" wide wheels

**Finish:** Laguna Blue paint

**Wheels:** 2" wide wheels are equipped with either 3/4" roller bearing which rotates on a 3/4" hardened and ground spanner, annular bearing, or a delrin/plain wheel bearing. 2-1/2" and 3" wide wheels are equipped with either a 1" I.D. straight roller bearing which rotates on a spanner bushing, 3/4" I.D. tapered bearings that rotate on the axle, or precision ball bearings.

**Mounting Plate Size:** 4-1/2" x 6-1/2" x 5/16"

**Bolt Hole Spacing:** 2-7/16" x 4-15/16", slotted to 3-3/8" x 5-1/4"

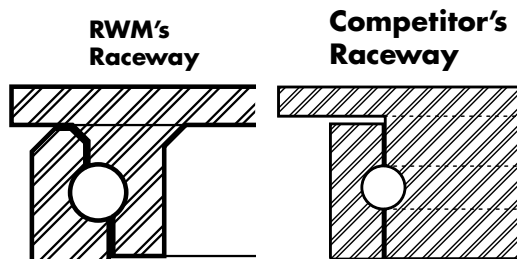
**Mounting Bolt Diameter:** 1/2"

## RWM's Patented Offset Raceway - Why It's a Superior Design

Our patented offset precision-machined raceway exerts radial force evenly where there is full contact between the ball bearing and the raceway. RWM's unique design adds more mass at key points. This, plus more thorough heat treatment, provides additional strength and combats brinelling into the core material.

The result:

- ◆ No direct "hammering" forces on the intersections of the raceways
- ◆ Vastly reduced raceway wear
- ◆ Elimination of the "pull apart" forces of stress in the swivel section
- ◆ Smoother swiveling action
- ◆ High maneuverability
- ◆ Longer service life
- ◆ Less maintenance
- ◆ Extra impact resistance
- ◆ High radial force absorption



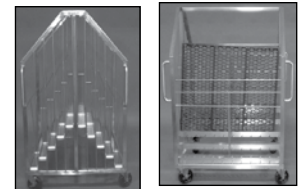
## Options

- CWB** Cam Wheel Brake (2" & 2-1/2" wide)
- HT** High Temperature Lubrication
- LT** Low Temperature Lubrication
- NY** Notched Yoke Base
- SL** Swivel Lock
- SR** Sealed Swivel Raceway
- TG** Thread Guards (2" wide only)
- WB** Side Wheel Brake - (roller bearing only, 2" wide)
- ZP** Zinc Plated

## Applications

The 70 Series is the perfect solution for:

- ◆ tire manufacturing
- ◆ fixture carts
- ◆ trash gondolas
- ◆ drywall dollies
- ◆ autoclave dollies



To order a rigid caster, change the "S" to "R" in the model number. For example: "70-CIR-0420-R". To order a rig only, omit the blue letters. For example: "70-0420-S". Dimensions shown are nominal. If precise dimensions are required, consult your B&C representative. For approximate weight of our rigid casters, deduct 3.9 pounds.

UP TO 6,000 POUND CAPACITY

Wheel Diameter	Wheel Width	Wheel Type	lbs. Capacity	Overall Height	Swivel Caster Model Number				Swivel Lead	Approx Weight
					Caged, Straight Roller Bearing	Flanged, Sealed Precision, 1 pc. Ball Bearing	Plain, Oilite, Celcon Bearing	Tapered Roller Bearing		
4"	1-1/2"	Forged Steel	1400	5-5/8"	70-FSR-0415-S		70-FSC-0415-S		1-3/16"	10.0
		Cast Iron	800		70-CIR-0420-S	70-CIB-0420-S	70-CIC-0420-S			10.0
		Durastan	800		70-DUR-0420-S	70-DUB-0420-S	70-DUC-0420-S			8.0
		GT	1050			70-GTB-0420-S				8.0
		High Temp. Nylon	800		70-HNR-0420-S					8.0
		Nylatron HD	2000			70-NYB-0420-S				8.5
		Performance TPR	350		70-RPR-0420-S	70-RPB-0420-S	70-RPC-0420-S			8.3
		Pinnacle	800		70-PNR-0420-S	70-PNB-0420-S	70-PNC-0420-S			5.2
	2"	Polyolefin	500	70-POR-0420-S	70-POB-0420-S	70-POC-0420-S		8.0		
		Rubber on Aluminum-EHT	700		70-RAB-0420-S-EHT			7.8		
		Rubber on Iron	350	70-RIR-0420-S		70-RIC-0420-S		8.0		
		Signature	400		70-SWB-0420-S	70-SWC-0420-S		5.5		
		Solid Urethane	700		70-MUB-0420-S			5.5		
		Urethane on Aluminum	700	70-UAR-0420-S		70-UAC-0420-S		7.5		
		Urethane on Iron	700	70-UIR-0420-S		70-UIC-0420-S		8.0		
		Urethane Polypropylene	600	70-UPR-0420-S	70-UPB-0420-S	70-UPC-0420-S		8.3		
V-Groove Iron	800	70-VIR-0420-S		70-VIC-0420-S		10.0				
5"	2"	Cast Iron	1000	6-1/2"	70-CIR-0520-S	70-CIB-0520-S	70-CIC-0520-S		1-1/2"	12.0
		Durastan	1000		70-DUR-0520-S	70-DUB-0520-S	70-DUC-0520-S			9.0
		Forged Steel	1500		70-FSR-0520-S		70-FSC-0520-S			12.0
		GT	1200			70-GTB-0520-S				9.0
		High Temp. Nylon	1000		70-HNR-0520-S					9.0
		Nylatron HD	2000			70-NYB-0520-S				9.5
		Performance TPR	375		70-RPR-0520-S	70-RPB-0520-S	70-RPC-0520-S			8.3
		Pinnacle	1000		70-PNR-0520-S	70-PNB-0520-S	70-PNC-0520-S			5.6
	2"	Polyolefin	650	70-POR-0520-S	70-POB-0520-S	70-POC-0520-S		9.0		
		Rubber on Aluminum-EHT	800		70-RAB-0520-S-EHT			8.9		
		Rubber on Iron	400	70-RIR-0520-S		70-RIC-0520-S		9.0		
		Signature	500	70-SWR-0520-S	70-SWB-0520-S	70-SWC-0520-S		5.7		
		Solid Urethane	1000		70-MUB-0520-S			5.7		
		Urethane on Aluminum	1050	70-UAR-0520-S		70-UAC-0520-S		8.5		
		Urethane on Iron	1050	70-UIR-0520-S		70-UIC-0520-S		9.0		
		Urethane Polypropylene	750	70-UPR-0520-S	70-UPB-0520-S	70-UPC-0520-S		8.3		
V-Groove Iron	800	70-VIR-0520-S		70-VIC-0520-S		12.0				
6"	2"	Cast Iron	1200	7-1/2"	70-CIR-0620-S	70-CIB-0620-S	70-CIC-0620-S		1-3/8"	13.0
		Durastan	1200		70-DUR-0620-S	70-DUB-0620-S	70-DUC-0620-S			10.0
		Forged Steel	1800		70-FSR-0620-S		70-FSC-0620-S			13.0
		GT	1500			70-GTB-0620-S				10.0
		High Temp. Nylon	1200		70-HNR-0620-S					10.0
		Nylatron HD	2200			70-NYB-0620-S				11.0
		Omega	1000		70-UOR-0620-S	70-UOB-0620-S				12.0
		Performance TPR	525		70-RPR-0620-S	70-RPB-0620-S	70-RPC-0620-S			8.7
	2"	Pinnacle	1200	70-PNR-0620-S	70-PNB-0620-S	70-PNC-0620-S		6.2		
		Polyolefin	700	70-POR-0620-S	70-POB-0620-S	70-POC-0620-S		10.0		
		Rubber on Aluminum-EHT	820		70-RAB-0620-S-EHT			9.8		
		Rubber on Iron	410	70-RIR-0620-S		70-RIC-0620-S		10.0		
		Signature	600	70-SWR-0620-S	70-SWB-0620-S	70-SWC-0620-S		6.4		
		Solid Urethane	1200		70-MUB-0620-S			6.4		
		Torus	1200		70-UAB-0621-S			6.1		
		Urethane on Aluminum	1230	70-UAR-0620-S		70-UAC-0620-S		11.0		
2-1/2"	Urethane on Iron	1230	70-UIR-0620-S		70-UIC-0620-S		12.0			
	Urethane Polypropylene	900	70-UPR-0620-S	70-UPB-0620-S	70-UPC-0620-S		8.7			
	V-Groove Iron	1000	70-VIR-0620-S		70-VIC-0620-S		13.0			
	Cast Iron	1800	70-CIR-0625-S			70-CIT-0625-S	18.0			
	Durastan	1600	70-DUR-0625-S			70-FST-0625-S	11.0			
	Forged Steel	4000	70-FSR-0625-S				18.0			
	GT	2300		70-GTB-0625-S			11.0			
	Rubber on Iron	540	70-RIR-0625-S				16.0			
7"	2"	Urethane on Iron	1620	10-1/8"	70-UIR-0625-S			70-UIT-0625-S	16.0	
		V-Groove Iron	2500		70-VIR-0625-S			70-VIT-0625-S	18.0	
		Cast Iron	1400		70-CIR-0820-S	70-CIB-0820-S	70-CIC-0820-S		16.0	
		Durastan	1400		70-DUR-0820-S	70-DUB-0820-S	70-DUC-0820-S		11.0	
		GT	1800			70-GTB-0820-S			11.5	
		Nylatron HD	3000			70-NYB-0820-S			12.5	
		Omega	1200		70-UOR-0820-S	70-UOB-0820-S			13.0	
		Performance TPR	600		70-RPR-0820-S	70-RPB-0820-S	70-RPC-0820-S		9.1	
	2"	Pinnacle	1200	70-PNR-0820-S	70-PNB-0820-S	70-PNC-0820-S		6.9		
		Polyolefin	800	70-POR-0820-S	70-POB-0820-S	70-POC-0820-S		11.0		
		Rubber on Aluminum-EHT	1000		70-RAB-0820-S-EHT			11.0		
		Rubber on Iron	500	70-RIR-0820-S		70-RIC-0820-S		11.0		
		Signature	700	70-SWR-0820-S	70-SWB-0820-S	70-SWC-0820-S		7.1		
		Solid Urethane	1500		70-MUB-0820-S			7.1		
		Torus	1200		70-UAB-0821-S			7.3		
		Urethane on Aluminum	1500	70-UAR-0820-S		70-UAC-0820-S		13.0		
2-1/2"	Urethane on Iron	1500	70-UIR-0820-S		70-UIC-0820-S		13.0			
	Urethane Polypropylene	1000	70-UPR-0820-S	70-UPB-0820-S	70-UPC-0820-S		10.1			
	V-Groove Iron	1050	70-VIR-0820-S		70-VIC-0820-S		16.0			
	Cast Iron	1800	70-CIR-0825-S			70-CIT-0825-S	20.0			
	Durastan	1800	70-DUR-0825-S			70-FST-0825-S	14.0			
	Forged Steel	4000	70-FSR-0825-S				20.0			
	GT	2400		70-GTB-0825-S			14.0			
	Rubber on Iron	670	70-RIR-0825-S			70-RIT-0825-S	17.0			
2-1/2"	Urethane on Iron	1800	70-UIR-0825-S			70-UIT-0825-S	18.0			
	V-Groove Iron	3000	70-VIR-0825-S			70-VIT-0825-S	20.0			
	Cast Iron	1800	70-CIR-1025-S			70-CIT-1025-S	26.0			
	Durastan	1800	70-DUR-1025-S				16.0			
10"	2-1/2"	Rubber on Iron	790	70-RIR-1025-S			70-RIT-1025-S	21.0		
		Urethane on Iron	2370	70-UIR-1025-S			70-UIT-1025-S	21.0		

UP TO 6,000 POUND CAPACITY



# 75 Series Casters

**RAPIDSTOCK**

RWM's 75 Series caster features the patented Kingpinless™ design. The 75 Series is recommended for the most demanding applications and is available with up to 3" wheels for higher capacity applications. All swivel sections are supplied with a lubrication fitting for field maintenance. The 75 series is case hardened to provide long service. It will not crack like through hardened or induction hardened construction provided by other caster manufacturers. Our 75 series are proudly made in the USA! Download free 2D or 3D CAD drawings and models of this caster from our website..



75-UIR-0625-S



75-MUB-0830-S-60D-FICWB

View  
CAD Models  
On Our  
Website!

## Features

**Raceway Design:** Patented Kingpinless™ single ball bearing precision machined raceway hardened to 53 Rockwell C minimum. Swivel section features 3" diameter raceway with 1/2" ball bearings. The notched raceway is standard.

**Capacity:** 6000 lbs

**Leg Thickness:** 5/16" formed steel

**Axle:** 3/4" bolt with lock or slotted nut as required

**Finish:** Laguna Blue paint

**Wheels:** Wheels are available with either a 1" roller bearing which rotates on a hardened and ground spanner bushing or 3/4" tapered bearings that rotate on the axle. All wheels are equipped with a lubrication fitting.

**Mounting Plate Size:** 4-1/2" x 6-1/2" x 5/16"

**Bolt Hole Spacing:** 2-7/16" x 4-15/16", slotted to 3-3/8" x 5-1/4"

**Mounting Bolt Diameter:** 1/2"

## Options

- CWB** Cam Wheel Brake
- DSL** Demountable Swivel Lock
- FG** Foot Guard
- FICWB** Field Installable Cam Wheel Brake
- HT** High Temperature Lubrication
- HTP** High Temperature Paint
- LT** Low Temperature Lubrication
- PCWB** Poly Cam Wheel Brake
- SL** Swivel Lock
- SR** Sealed Swivel Raceway
- ZP** Zinc Plated

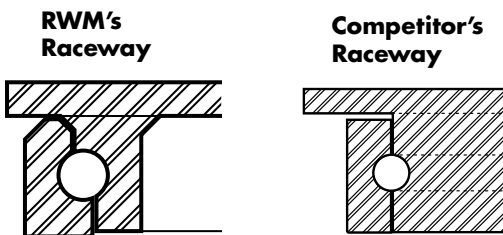
## Applications

The 75 Series typical applications include dollies, utility carts, tow line and platform trucks. It is also ideal for:

- ◆ tow lines
- ◆ abusive conditions
- ◆ automotive
- ◆ metal fabricating
- ◆ military equipment
- ◆ tractor pulled trailers
- ◆ air cargo & ground support equipment
- ◆ boat & ship molding and building
- ◆ storage tanks & gantries
- ◆ heavy duty processing equipment and countless other heavy duty applications
- ◆ shock load applications
- ◆ production line dollies
- ◆ aerospace
- ◆ heavy machinery
- ◆ mobile homes
- ◆ extreme duty platform trucks

## RWM's Patented Offset Raceway – Why It's a Superior Design

Our patented offset precision-machined raceway exerts radial force evenly where there is full contact between the ball bearing and the raceway. RWM's unique design adds more mass at key points. This, plus more thorough heat treatment, provides additional strength and combats brinelling into the core material.



\*Subtract 1/16" OAH when using this top plate  
 \*\* Add 1/16" OAH when using this top plate  
 \*\*\* Add 3/16" OAH when using this top plate

### OPTIONAL MOUNTING PLATES

Optional Top Plate Number	Mounting Plate	Bolt Hole Spacing	Bolt Size
90ST*** 90RT	6" x 7"	4-5/8" x 5-1/2" slotted to 4-3/8" x 5-5/8"	1/2"
43ST* 43RT	5" x 5-1/2"	4-1/8" x 4-1/2"	3/8"
76ST** 76RT	5-1/4" x 7-1/4"	3-3/8" x 5-1/4" slotted to 4-1/8" x 6-1/8"	1/2"

To order a rigid caster, change the "S" to "R" in the model number. For example: "75-CIR-1030-R". To order a rig only, omit the blue letters. For example: "75-1030-S". Dimensions shown are nominal. If precise dimensions are required, consult your B&C representative. For approximate weight of our rigid caster, deduct 3.9 pounds.

UP TO 6,000 POUND CAPACITY

## SPECIFICATIONS

Wheel Diameter	Wheel Width	Wheel Type	Capacity lbs.	Overall Height	Swivel Caster Model Number			Swivel Lead	Approx Weight lbs.	
					Straight Roller Bearing	Ball Bearing	Tapered Roller Bearing			
5"	2-1/2"	Cast Iron	2000	6-1/2"	75-CIR-0525-S		75-CIT-0525-S	1-1/8"	18.0	
6"	2-1/2"	Cast Iron	1800	7-1/2"	75-CIR-0625-S		75-CIT-0625-S	1-5/16"	17.0	
		Durastan	1600		75-DUR-0625-S		75-FST-0625-S		11.5	
		Forged Steel	5000		75-FSR-0625-S				20.5	
		GT	2300			75-GTB-0625-S			11.5	
		Rubber on Iron	540		75-RIR-0625-S				16.5	
		Rubber on Iron-EHT	810		75-RIR-0625-S-EHT		75-RIT-0625-S-EHT		16.5	
		Urethane on Iron	1620		75-UIR-0625-S		75-UIT-0625-S		16.5	
		V-Groove Iron	2500		75-VIR-0625-S		75-VIT-0625-S		16.5	
6"	3"	Cast Iron	3000	7-1/2"	75-CIR-0630-S		75-CIT-0630-S	1-5/16"	18.5	
		Durastan	2000		75-DUR-0630-S		75-FST-0630-S		12.5	
		Forged Steel	6000		75-FSR-0630-S				31.0	
		Nylatron HD	6000			75-NYB-0630-S			12.5	
		Rubber on Iron	680		75-RIR-0630-S				17.5	
		Rubber on Iron-EHT	1020		75-RIR-0630-S-EHT		75-RIT-0630-S-EHT		17.5	
		Urethane on Iron	2000		75-UIR-0630-S		75-UIT-0630-S		17.5	
		V-Groove Forged	6000		75-VFR-0630-S		75-VFT-0630-S		30.0	
8"	2-1/2"	Cast Iron	2000	10-1/8"	75-CIR-0825-S		75-CIT-0825-S	2"	23.0	
		Durastan	2000		75-DUR-0825-S		75-FST-0825-S		15.0	
		Forged Steel	4500		75-FSR-0825-S				25.5	
		GT	2400			75-GTB-0825-S			15.0	
		Rubber on Iron	670		75-RIR-0825-S				18.5	
		Rubber on Iron-EHT	1005		75-RIR-0825-S-EHT		75-RIT-0825-S-EHT		18.5	
		Urethane on Iron	1800		75-UIR-0825-S		75-UIT-0825-S		18.5	
		V-Groove Iron	3000		75-VIR-0825-S		75-VIT-0825-S		27.0	
8"	3"	Cast Iron	3000	10-1/8"	75-CIR-0830-S		75-CIT-0830-S	2"	26.0	
		Durastan	2500		75-DUR-0830-S		75-FST-0830-S		16.5	
		Forged Steel	5500		75-FSR-0830-S				26.0	
		Infinity	4000			75-UIB-0830-S-INF			20.0	
		Nylatron HD	6000			75-NYB-0830-S			16.0	
		Rubber on Iron	840		75-RIR-0830-S				19.5	
		Rubber on Iron-EHT	1260		75-RIR-0830-S-EHT		75-RIT-0830-S-EHT		19.5	
		Omega	1600		75-UOR-0830-S		75-UOT-0830-S		19.0	
		Urethane on Iron	2500		75-UIR-0830-S		75-UIT-0830-S		19.5	
		V-Groove Forged	6000		75-VFR-0830-S		75-VFT-0830-S		36.0	
V-Groove Iron	5000	75-VIR-0830-S		75-VIT-0830-S	26.0					
10"	2-1/2"	Cast Iron	2500	11-1/2"	75-CIR-1025-S		75-CIT-1025-S	2-3/16"	25.5	
		Durastan	2500		75-DUR-1025-S				16.5	
		Rubber on Iron	790		75-RIR-1025-S				21.5	
		Rubber on Iron-EHT	1185		75-RIR-1025-S-EHT		75-RIT-1025-S-EHT		21.5	
		Urethane on Iron	2370		75-UIR-1025-S		75-UIT-1025-S		21.5	
10"	3"	Cast Iron	4000	11-1/2"	75-CIR-1030-S		75-CIT-1030-S	2-3/16"	23.0	
		Durastan	2900		75-DUR-1030-S		75-FST-1030-S		20.0	
		Forged Steel	6000		75-FSR-1030-S				41.0	
		GT	3400			75-GTB-1030-S			20.0	
		Infinity	5000			75-UIB-1030-S-INF			23.0	
		Nylatron HD	6000			75-NYB-1030-S			21.0	
		Omega	2000		75-UOR-1030-S		75-UOB-1030-S		75-UOT-1030-S	20.0
		Rubber on Aluminum-EHT	2000			75-RAB-1030-S-EHT	75-RAT-1030-S			20.3
		Rubber on Iron	1000		75-RIR-1030-S					22.5
		Rubber on Iron-EHT	1500		75-RIR-1030-S-EHT		75-RIT-1030-S-EHT			22.5
		Urethane on Iron	3000		75-UIR-1030-S		75-UIT-1030-S			22.5
		Ultra Thick Urethane	3400		75-UTR-1030-S		75-UTT-1030-S			25.0
		V-Groove Forged	6000		75-VFR-1030-S		75-VFT-1030-S			48.0
V-Groove Iron	5000	75-VIR-1030-S		75-VIT-1030-S		23.0				
12"	2-1/2"	Durastan	3000	13-1/2"	75-DUR-1225-S			2-5/8"	20.5	
		Rubber on Iron	900		75-RIR-1225-S				23.5	
		Urethane on Iron	2700		75-UIR-1225-S		75-UIT-1225-S		23.5	
12"	3"	Cast Iron	5000	13-1/2"	75-CIR-1230-S		75-CIT-1230-S	2-5/8"	32.0	
		Durastan	3500		75-DUR-1230-S				22.5	
		Rubber on Aluminum-EHT	1710			75-RAB-1230-S-EHT	75-RAT-1230-S		24.5	
		Rubber on Iron	1140		75-RIR-1230-S		75-RIT-1230-S		26.5	
		Rubber on Iron-EHT	1710		75-RIR-1230-S-EHT		75-RIT-1230-S-EHT		26.5	
		Urethane on Iron	3400		75-UIR-1230-S		75-UIT-1230-S		26.5	
		Ultra Thick Urethane	4100		75-UTR-1230-S		75-UTT-1230-S		28.0	
		V-Groove Iron	6000		75-VIR-1230-S		75-VIT-1230-S		43.0	

UP TO 6,000 POUND CAPACITY

# 76 Series Casters

**RAPIDSTOCK**

RWM's 76 Series caster features the patented Kingpinless™ design. This is the design that RWM patented, and that has proven itself to be the best solution for demanding applications. This is the caster design that all others are now copying because it is simply unmatched in extending service life, reducing all possible causes for caster failure. The 76 Series offers up to 7000 lb. capacity and is available with a wide variety of wheels. All swivel sections are supplied with a lubrication fitting for field maintenance and is case hardened for long service life. It will not crack like through hardened or induction hardened construction provided by other caster manufacturers. Our 76 series industrial casters are proudly made in the USA! Download free 3D CAD drawings and models of this caster on our website.



76-UOT-1030-R



76-UOT-0830-S



## Features

**Raceway Design:** Patented Kingpinless™ single ball bearing precision machined raceway hardened to 53 Rockwell C minimum. Swivel section features 3" diameter raceway with 1/2" ball bearings. The notched raceway is standard.

**Capacity:** 7000 lbs

**Leg Thickness:** 3/8"

**Axle:** 3/4" bolt with lock or slotted nut as required

**Finish:** Laguna Blue paint

**Wheels:** Wheels are available with either a 1" roller bearing which rotates on a hardened and ground spanner bushing or 3/4" tapered bearings that rotate on the axle. All wheels are equipped with a lubrication fitting.

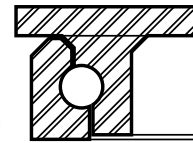
**Mounting Plate Size:** 5-1/4" x 7-1/4" x 3/8"

**Bolt Hole Spacing:** 3-3/8" x 5-1/4", slotted to 4-1/8" x 6-1/8"

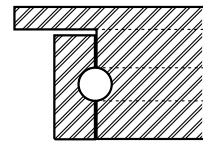
**Mounting Bolt Diameter:** 1/2"



RWM's Raceway



Competitor's Raceway



## Options

- CWB** Cam Wheel Brake
- DSL** Demountable Swivel Lock
- FG** Foot Guard
- FICWB** Field Installable Cam Wheel Brake
- HT** High Temperature Lubrication
- HTP** High Temperature Paint
- LT** Low Temperature Lubrication
- PCWB** Poly Cam Wheel Brake
- SL** Swivel Lock
- SR** Sealed Swivel Raceway
- ZP** Zinc Plated

## Applications

The 76 Series typical applications include dollies, utility carts, tow line and platform trucks. It is also ideal for:

- ◆ tow lines
- ◆ abusive conditions
- ◆ automotive
- ◆ metal fabricating
- ◆ military equipment
- ◆ tractor pulled trailers
- ◆ air cargo & ground support equipment
- ◆ boat & ship molding and building
- ◆ storage tanks & gantries
- ◆ heavy duty processing equipment and countless other heavy duty applications.
- ◆ shock load applications
- ◆ production line dollies
- ◆ aerospace
- ◆ heavy machinery
- ◆ mobile homes
- ◆ extreme duty platform trucks

### OPTIONAL MOUNTING PLATES

Optional Top Plate Number	Mounting Plate	Bolt Hole Spacing	Bolt Size
90ST* 90RT	6" x 7"	4-5/8" x 5-1/2" slotted to 4-3/8" x 5-5/8"	1/2"
95ST* 95RT	6" x 7-1/2"	4-1/2" x 6" slotted to 4-1/8" x 6-1/8"	1/2"
75ST** 75RT	4-1/2" x 6-1/2"	2-7/16" x 4-15/16" slotted to 3-3/8" x 5-1/4"	1/2"

\* Add 1/8" OAH when using this top plate

\*\* Subtract 1/16" OAH when using this top plate



UP TO 7,000 POUND CAPACITY

## SPECIFICATIONS

Wheel Diameter	Wheel Width	Wheel Type	lbs. Capacity	Overall Height	Swivel Caster Model Number			Swivel Lead	lbs. Approx Weight	
					Straight Roller Bearing	Ball Bearing	Tapered Roller Bearing			
5"	2-1/2"	Cast Iron	2000	7"	76-CIR-0525-S		76-CIT-0525-S	2"	18.0	
		Cast Iron	1800		76-CIR-0625-S		76-CIT-0625-S		17.0	
6"	2-1/2"	Durastan	1600	8"	76-DUR-0625-S			2-1/4"	11.5	
		Forged Steel	5000		76-FSR-0625-S		76-FST-0625-S		20.5	
		GT	2300			76-GTB-0625-S			11.5	
		Rubber on Iron	670		76-RIR-0625-S				16.5	
		Rubber on Iron-EHT	810		76-RIR-0625-S-EHT		76-RIT-0625-S-EHT		16.5	
		Urethane on Iron	1620		76-UIR-0625-S		76-UIT-0625-S		16.5	
		V-Groove Iron	2500		76-VIR-0625-S		76-VIT-0625-S		16.5	
		Cast Iron	3000		76-CIR-0630-S		76-CIT-0630-S		2-1/4"	18.5
		Durastan	2000		76-DUR-0630-S					12.5
Forged Steel	7000	76-FSR-0630-S		76-FST-0630-S	31.0					
Nylatron HD	7000		76-NYB-0630-S		12.5					
Rubber on Iron	680	76-RIR-0630-S			17.5					
Rubber on Iron-EHT	1020	76-RIR-0630-S-EHT		76-RIT-0630-S-EHT	17.5					
Urethane on Iron	2000	76-UIR-0630-S		76-UIT-0630-S	17.5					
V-Groove Forged	7000	76-VFR-0630-S		76-VFT-0630-S	30.0					
8"	2-1/2"	Cast Iron	2000	10-1/2"	76-CIR-0825-S		76-CIT-0825-S	2-15/16"		23.0
		Durastan	2000		76-DUR-0825-S				15.0	
		Forged Steel	4500		76-FSR-0825-S		76-FST-0825-S		25.5	
		GT	2400			76-GTB-0825-S			15.0	
		Rubber on Iron	670		76-RIR-0825-S				18.5	
		Rubber on Iron-EHT	1005		76-RIR-0825-S-EHT		76-RIT-0825-S-EHT		18.5	
		Urethane on Iron	2000		76-UIR-0825-S		76-UIT-0825-S		18.5	
		V-Groove Iron	3000		76-VIR-0825-S		76-VIT-0825-S		27.0	
		Cast Iron	3000		76-CIR-0830-S		76-CIT-0830-S		2-15/16"	26.0
Durastan	2500	76-DUR-0830-S			16.5					
Forged Steel	5500	76-FSR-0830-S		76-FST-0830-S	26.0					
Infinity	4000		76-UIB-0830-S-INF		20.0					
Nylatron HD	7000		76-NYB-0830-S		16.0					
Omega	1600	76-UOR-0830-S	76-UOB-0830-S	76-UOT-0830-S	19.0					
Rubber on Iron	840	76-RIR-0830-S			19.5					
Rubber on Iron-EHT	1260	76-RIR-0830-S-EHT		76-RIT-0830-S-EHT	19.5					
Urethane on Iron	2500	76-UIR-0830-S		76-UIT-0830-S	19.5					
V-Groove Iron	5000	76-VIR-0830-S		76-VIT-0830-S	26.0					
V-Groove Forged	6000	76-VFR-0830-S		76-VFT-0830-S	36.0					
10"	2-1/2"	Cast Iron	2500	12-1/2"	76-CIR-1025-S		76-CIT-1025-S	3-3/8"	25.5	
		Durastan	2500		76-DUR-1025-S				16.5	
		Rubber on Iron	790		76-RIR-1025-S				21.5	
		Rubber on Iron-EHT	1185		76-RIR-1025-S-EHT		76-RIT-1025-S-EHT		21.5	
		Urethane on Iron	2370		76-UIR-1025-S		76-UIT-1025-S		21.5	
10"	3"	Cast Iron	4000	12-1/2"	76-CIR-1030-S		76-CIT-1030-S	3-3/8"	23.0	
		Durastan	2900		76-DUR-1030-S				20.0	
		Forged Steel	6000		76-FSR-1030-S		76-FST-1030-S		41.0	
		GT	3400			76-GTB-1030-S			20.0	
		Infinity	5000			76-UIB-1030-S-INF			23.0	
		Nylatron HD	7000			76-NYB-1030-S			21.0	
		Omega	2000		76-UOR-1030-S	76-UOB-1030-S	76-UOT-1030-S		22.0	
		Rubber on Aluminum-EHT	1500			76-RAB-1030-S-EHT	76-RAT-1030-S-EHT		20.3	
		Rubber on Iron	1000		76-RIR-1030-S				22.5	
		Rubber on Iron-EHT	1500		76-RIR-1030-S-EHT		76-RIT-1030-S-EHT		22.5	
		Urethane on Iron	3000		76-UIR-1030-S		76-UIT-1030-S		22.5	
		Ultra Thick Urethane	3400		76-UTR-1030-S		76-UTT-1030-S		26.0	
		V-Groove Forged	6000		76-VFR-1030-S		76-VFT-1030-S		48.0	
		V-Groove Iron	5000		76-VIR-1030-S		76-VIT-1030-S		23.0	
12"	2-1/2"	Durastan	3000	15-1/2"	76-DUR-1225-S		76-RIT-1225-S	4-5/16"	20.5	
		Rubber on Iron	900		76-RIR-1225-S				23.5	
		Urethane on Iron	2700		76-UIR-1225-S				23.5	
12"	3"	Cast Iron	5000	15-1/2"	76-CIR-1230-S		76-CIT-1230-S	4-5/16"	32.0	
		Nylatron HD	7000			76-NYB-1230-S			26.0	
		Durastan	3500		76-DUR-1230-S				22.5	
		Rubber on Aluminum-EHT	1710			76-RAB-1230-S-EHT	76-RAT-1230-S-EHT		24.5	
		Rubber on Iron	1140		76-RIR-1230-S		76-RIT-1230-S		26.5	
		Rubber on Iron-EHT	1710		76-RIR-1230-S-EHT		76-RIT-1230-S-EHT		26.5	
		Urethane on Iron	3400		76-UIR-1230-S		76-UIT-1230-S		26.5	
		Ultra Thick Urethane	4100		76-UTR-1230-S		76-UTT-1230-S		29.0	
		V-Groove Iron	6000		76-VIR-1230-S		76-VIT-1230-S		43.0	

UP TO 7,000 POUND CAPACITY

To order a rigid caster, change the "S" to "R" in the model number. For example: "76-CIR-1230-R". To order a rig only, omit the blue letters. For example: "76-1230-S". Dimensions shown are nominal. If precise dimensions are required, consult your B&C representative. For approximate weight of our rigid casters, deduct 3.9 pounds.

# 85 Series Casters

RWM's 85 Series caster features the patented Kingpinless™ design. This is the design that RWM patented, and that has proven itself to be the best solution for demanding applications. This is the caster design that all others are now copying because it is simply unmatched in extending service life, reducing all possible causes for caster failure. The 85 Series offers a capacity up to 10,000 pounds and is available with wheels up to 5" wide for higher capacity ratings. This caster is built to take the punishment experienced in high shock and impact loads. These casters are proudly made in the USA!



85-UIT-1030-S-8SL-PCWB



85-UIR-0830-R

## Features

**Raceway Design:** Patented Kingpinless™ single ball bearing precision machined raceway hardened to 53 Rockwell C minimum. 4-1/4" diameter raceway with 5/8" ball bearings.

**Capacity:** 10,000 lbs

**Leg Thickness:** 3/8", 3" wide for 3" wheels, 4" wide for 4" wheels, 5" wide for 5" wheels.

**Axle:** 3/4" bolt and nut for 3" wide, 1" or 1-1/4" bolt and nut for 4" wide, 1-1/4" bolt and nut for 5" wide.

**Finish:** Laguna Blue paint

**Wheels:** 3" wide wheels are available with either a 1" roller bearing that rotates on a 3/4" x 1" x 3-9/16" hardened and ground spanner bushing or 3/4" tapered bearings that rotate on a 3/4" axle. 4" and 5" wheels are available with either a 1-1/4" I.D. roller bearing which rotates on a hardened and ground spanner bushing or 1-1/4" tapered bearings which rotate on the axle. All wheels are equipped with lubrication fitting.

**Mounting Plate Size:** 6" x 7" x 1/2"

**Bolt Hole Spacing:** 4-5/8" x 5-1/2", slotted to 4-3/8" x 5-5/8"

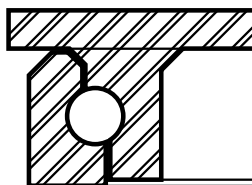
**Mounting Bolt Diameter:** 1/2"

## Applications

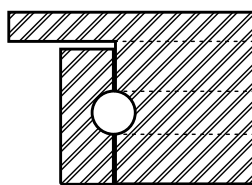
The 85 Series typical applications include dollies, utility carts, tow line and platform trucks. It is also ideal for:

- ◆ tow lines
- ◆ abusive conditions
- ◆ automotive
- ◆ metal fabricating
- ◆ military equipment
- ◆ tractor pulled trailers
- ◆ air cargo & ground support equipment
- ◆ boat & ship molding and building
- ◆ storage tanks & gantries
- ◆ heavy duty processing equipment and countless other heavy duty applications.
- ◆ shock load applications
- ◆ production line dollies
- ◆ aerospace
- ◆ heavy machinery
- ◆ mobile homes
- ◆ extreme duty platform trucks

**RWM's Raceway**



**Competitor's Raceway**



## Options

- CWB** Cam Wheel Brake
- DSL** Demountable Swivel Lock\*
- FG** Foot Guard
- HDSL** Heavy Duty Demountable Swivel Lock
- HT** High Temperature Lubrication
- HTP** High Temperature Paint
- LT** Low Temperature Lubrication
- NY** Notched Yoke
- PCWB** Poly Cam Wheel Brake
- SL** Swivel Lock
- SR** Sealed Swivel Raceway
- ZP** Zinc Plate
- 8SL** 8 Position Swivel Lock

\*When ordering a Demountable Swivel Lock (DSL), you must also order the Notched Yoke (NY).

### OPTIONAL MOUNTING PLATES

Optional Top Plate Number	Mounting Plate	Bolt Hole Spacing	Bolt Size
95ST 95RT	6" x 7-1/2"	4-1/2" x 6" slotted to 4-1/8" x 6-1/8"	1/2"
LLST LLRT	8-1/2" X 11"	7" x 9-3/4"	5/8"
LMST LMRT	8-1/2" X 8-1/2"	7" x 7"	5/8"

## RWM's Patented Offset Raceway - Why It's a Superior Design

Our patented offset precision-machined raceway exerts radial force evenly where there is full contact between the ball bearing and the raceway. RWM's unique design adds more mass at key points. This, plus more thorough heat treatment, provides additional strength and combats brinelling into the core material. The result: No direct "hammering" forces on the intersections of the raceways. Vastly reduced raceway wear. Elimination of the "pull apart" forces of stress in the swivel section. Smoother swiveling action. High maneuverability. Longer service life. Less maintenance. Extra impact resistance. High radial force absorption.

UP TO 10,000 POUND CAPACITY

## SPECIFICATIONS

Wheel Diameter	Wheel Width	Wheel Type	lbs. Capacity	Overall Height	Swivel Caster Model Number			Swivel Lead	lbs. Approx Weight
					Straight Roller Bearing	Ball Bearing	Tapered Roller Bearing		
6"	2-1/2"	Forged Steel	5000	8-1/2"	85-FSR-0625-S		85-FST-0625-S	2"	23.0
		GT	2300			85-GTB-0625-S			17.0
6"	3"	Cast Iron	3000	8-1/2"	85-CIR-0630-S		85-CIT-0630-S	2"	24.0
		Durastan	2000		85-DUR-0630-S				17.0
		Forged Steel	7000		85-FSR-0630-S		85-FST-0630-S		28.0
		Nylatron HD	10000			85-NYB-0630-S			18.0
		Rubber on Iron	680		85-RIR-0630-S				20.0
		Rubber on Iron-EHT	1020		85-RIR-0630-S-EHT		85-RIT-0630-S-EHT		20.0
		Urethane on Iron	2000		85-UIR-0630-S		85-UIT-0630-S		23.0
		V-Groove Forged	7000		85-VFR-0630-S		85-VFT-0630-S		32.0
8"	2-1/2"	Forged Steel	4500	10-1/2"	85-FSR-0825-S		85-FST-0825-S	2-1/2"	30.0
		GT	2400			85-GTB-0825-S			21.0
		Rubber on Iron	670		85-RIR-0825-S				23.0
		Rubber on Iron-EHT	1005		85-RIR-0825-S-EHT		85-RIT-0825-S-EHT		23.0
8"	3"	V-Groove Iron	3000	10-1/2"	85-VIR-0825-S		85-VIT-0825-S	2-1/2"	27.0
		Cast Iron	3000		85-CIR-0830-S		85-CIT-0830-S		28.0
		Durastan	2500		85-DUR-0830-S				21.0
		Forged Steel	5500		85-FSR-0830-S		85-FST-0830-S		32.0
		Infinity	4000			85-UIB-0830-S-INF			26.0
		Nylatron HD	10000			85-NYB-0830-S			22.0
		Omega	1600		85-UOR-0830-S	85-UOB-0830-S	85-UOT-0830-S		26.0
		Rubber on Iron	840		85-RIR-0830-S				23.0
		Rubber on Iron-EHT	1260		85-RIR-0830-S-EHT		85-RIT-0830-S-EHT		23.0
		Urethane on Iron	2500		85-UIR-0830-S		85-UIT-0830-S		26.0
		V-Groove Forged Steel	6000		85-VFR-0830-S		85-VFT-0830-S		29.0
		V-Groove Iron	5000		85-VIR-0830-S		85-VIT-0830-S		30.0
		8"	4"		Cast Iron	4000	10-1/2"		85-CIR-0840-S
Forged Steel	10000			85-FSR-0840-S		85-FST-0840-S		36.0	
Urethane on Iron	3500			85-UIR-0840-S		85-UIT-0840-S		28.0	
V-Groove Forged Steel	10000			85-VFR-0840-S		85-VFT-0840-S		36.0	
10"	3"	Cast Iron	4000	12-1/2"	85-CIR-1030-S		85-CIT-1030-S	2-9/16"	38.0
		Durastan	2900		85-DUR-1030-S				25.0
		Forged Steel	6000		85-FSR-1030-S		85-FST-1030-S		39.0
		GT	3400			85-GTB-1030-S			25.0
		Infinity	5000			85-UIB-1030-S-INF			32.0
		Nylatron HD	10000			85-NYB-1030-S			26.0
		Omega	2000		85-UOR-1030-S	85-UOB-1030-S	85-UOT-1030-S		32.0
		Rubber on Aluminum-EHT	2000			85-RAB-1030-S-EHT	85-RAT-1030-S-EHT		26.0
		Rubber on Iron	1000		85-RIR-1030-S				28.0
		Rubber on Iron-EHT	1500		85-RIR-1030-S-EHT		85-RIT-1030-S-EHT		28.0
		Ultra Thick Urethane	3400		85-UTR-1030-S		85-UTT-1030-S		28.0
		Urethane on Iron	3000		85-UIR-1030-S		85-UIT-1030-S		32.0
		V-Groove Forged Steel	6000		85-VFR-1030-S		85-VFT-1030-S		39.0
		V-Groove Iron	5000		85-VIR-1030-S		85-VIT-1030-S		44.0
10"	4"	Forged Steel	10000	12-1/2"	85-FSR-1040-S		85-FST-1040-S	2-9/16"	44.0
		Rubber on Iron	1400		85-RIR-1040-S		85-RIT-1040-S		32.0
		Ultra Thick Urethane	4500		85-UTR-1040-S		85-UTT-1040-S		32.0
		Urethane on Iron	4200		85-UIR-1040-S		85-UIT-1040-S		27.0
12"	3"	Cast Iron	5000	15-1/2"	85-CIR-1230-S		85-CIT-1230-S	3-7/8"	41.0
		Nylatron HD	10000			85-NYB-1230-S			38.0
		Durastan	3500		85-DUR-1230-S				29.0
		Rubber on Aluminum-EHT	2280			85-RAB-1230-S-EHT	85-RAT-1230-S-EHT		35.0
		Rubber on Iron	1140		85-RIR-1230-S		85-RIT-1230-S		38.0
		Rubber on Iron-EHT	1710		85-RIR-1230-S-EHT		85-RIT-1230-S-EHT		38.0
		Ultra Thick Urethane	4100		85-UTR-1230-S		85-UTT-1230-S		31.0
		Urethane on Iron	3400		85-UIR-1230-S		85-UIT-1230-S		42.0
V-Groove Iron	6000	85-VIR-1230-S		85-VIT-1230-S	43.0				
12"	4"	Durastan	4000	15-1/2"	85-DUR-1240-S		85-RIT-1240-S	3-5/8"	28.0
		Rubber on Iron	1600		85-RIR-1240-S		85-UTT-1240-S		29.0
		Ultra Thick Urethane	5300		85-UTR-1240-S				36.0
		Urethane on Iron	4800		85-UIR-1240-S		85-UIT-1240-S		29.0
12"	5"	Rubber on Iron	2050	15-1/2"	85-RIR-1250-S		85-RIT-1250-S	3-5/8"	44.0
		Ultra Thick Urethane	6500		85-UTR-1250-S		85-UTT-1250-S		45.0
		Urethane on Iron	6000		85-UIR-1250-S		85-UIT-1250-S		48.0

UP TO 10,000 POUND CAPACITY

To order a rigid caster, change the "S" to "R" in the model number. For example: "85-CIR-0840-R". To order a rig only, omit the blue letters. For example: "85-0840-S". Dimensions shown are nominal. If precise dimensions are required, consult your B&C representative. For approximate weight of our rigid caster, deduct 3.9 pounds.

# 95 Series Casters

RWM's 95 Series caster features the patented Kingpinless™ design. This is the design that RWM patented, and that has proven itself to be the best solution for demanding applications. This is the caster design that all others are now copying because it is simply unmatched in extending service life, reducing all possible causes for caster failure. The 95 Series offers a capacity up to 20,000 pounds with a wide variety of heavy duty wheels to maximize capacity. Our 95 Series Casters are proudly made in the USA!



## Features

**Raceway Design:** 4-1/2" diameter with 3/4" diameter carbon steel balls. Precision machined and hardened to 53 Rockwell C minimum scale. Load and thrust are accommodated by our patented Kingpinless™ design. Sealed raceway is standard.

**Capacity:** 20,000 lbs

**Leg Thickness:** 3/8" formed steel

**Axle:** 3/4" bolt and nut for 3" wide, 1" or 1-1/4" bolt and nut for 4" wide, 1-1/4" bolt and nut for 5" wide

**Lubrication:** Grease fitting in swivel and hub of wheel

**Finish:** Laguna Blue paint

**Wheels:** 3" wide wheels are available with either a 1" roller bearing that rotates on a 3/4" x 1" x 3-9/16" hardened and ground spanner bushing or 3/4" tapered bearings that rotate on a 3/4" axle. 4" and 5" wheels are available with either a 1-1/4" I.D. roller bearing which rotates on a hardened and ground spanner bushing or 1-1/4" tapered bearings which rotate on the axle. All wheels are equipped with a lubrication fitting.

**Mounting Plate Size:** 6-1/4" x 7-1/2" x 1/2" swivel top plate, 6" x 7-1/2" x 1/2" rigid top plate

**Bolt Hole Spacing:** 4-1/2" x 6", slotted to 4-1/8" x 6-1/8"

**Swivel Yoke Base:** SAE 1045 hot steel forging

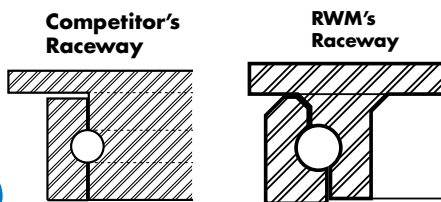
**Swivel Top Plate:** SAE 1045 hot steel forging

**Mounting Bolt Diameter:** 1/2"

## Applications

The 95 Series typical applications include dollies, utility carts, tow line and platform trucks. It is also ideal for:

- ◆ tow lines
- ◆ abusive conditions
- ◆ automotive
- ◆ metal fabricating
- ◆ military equipment
- ◆ tractor pulled trailers
- ◆ air cargo & ground support equipment
- ◆ boat & ship molding and building
- ◆ storage tanks & gantries
- ◆ heavy duty processing equipment
- ◆ shock load applications
- ◆ production line dollies
- ◆ aerospace
- ◆ heavy machinery
- ◆ mobile homes
- ◆ extreme duty platform trucks



## Options

- CWB** Cam Wheel Brake
- DSL** Demountable Swivel Lock\*
- FG** Foot Guard
- HDSL** Heavy Duty Demountable Swivel Lock
- HT** High Temperature Lubrication
- HTP** High Temperature Paint
- LT** Low Temperature Lubrication
- NY** Notched Yoke
- PCWB** Poly Cam Wheel Brake
- SD** Shear Disc (up to 3,600 lbs.)
- SL** Swivel Lock\*\*
- WS** Wheel Seals
- ZP** Zinc Plating

\*When ordering a Demountable Swivel Lock (DSL), you must also order the Notched Yoke (NY).

\*\*Add 1/4" to overall height for swivel lock (SL) casters with 5" wide wheels.

## RWM's Patented Offset Raceway - Why It's a Superior Design

Our patented offset precision-machined raceway exerts radial force evenly where there is full contact between the ball bearing and the raceway. RWM's unique design adds more mass at key points. This, plus more thorough heat treatment, provides additional strength and combats brinelling into the core material. The result:

- ◆ No direct "hammering" forces on the intersections of the raceways
- ◆ Vastly reduced raceway wear
- ◆ Elimination of the "pull apart" forces of stress in the swivel section
- ◆ Smoother swiveling action
- ◆ High maneuverability
- ◆ Longer service life
- ◆ Less maintenance
- ◆ Extra impact resistance
- ◆ High radial force absorption

To order a rigid caster, change the "S" to "R" in the model number. For example: "95-CIR-0630-R". To order a rig only, omit the blue letters. For example: "95-0630-S". Dimensions shown are nominal. If precise dimensions are required, consult your B&C representative. For approximate weight of our rigid caster, deduct 9.6 pounds.

UP TO 20,000 POUND CAPACITY

## SPECIFICATIONS

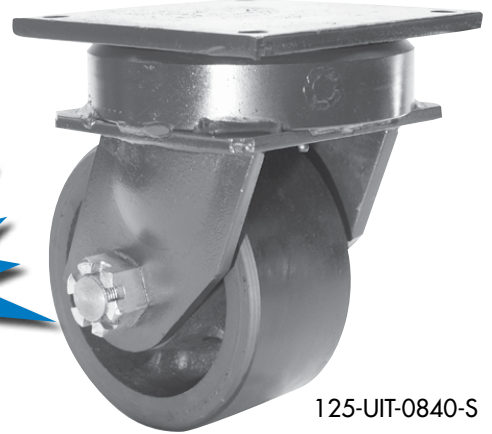
Wheel Diameter	Wheel Width	Wheel Type	lbs. Capacity	Overall Height	Swivel Caster Model Number			Swivel Lead	lbs. Approx Weight										
					Straight Roller Bearing	Ball Bearing	Tapered Roller Bearing												
6"	2-1/2"	Forged Steel GT	5000 2300	8-1/2"	95-FSR-0625-S	95-GTB-0625-S	95-FST-0625-S	1-3/4"	23.0 17.0										
		Cast Iron Durastan Forged Steel Forged Steel HD Nylatron HD	3000 2000 7000 10000 10000		95-CIR-0630-S 95-DUR-0630-S 95-FSR-0630-S		95-CIT-0630-S 95-FST-0630-S 95-FST-0630-S-HD		24.0 17.0 28.0 28.0										
6"	3"	Rubber on Iron	680	8-1/2"	95-RIR-0630-S	95-NYB-0630-S	95-RIT-0630-S-EHT	1-3/4"	20.0										
		Rubber on Iron-EHT	1020		95-RIR-0630-S-EHT				20.0										
		Solid Urethane	1650		95-MUB-0630-S				17.0										
		Urethane on Iron	2000			95-UIR-0630-S	23.0												
		V-Groove Forged Steel	7000			95-VFR-0630-S	32.0												
		8"	2-1/2"		Forged Steel GT	4500 2400	10-1/2"		95-FSR-0825-S	95-GTB-0825-S	95-FST-0825-S	2-3/16"	30.0 21.0						
Rubber on Iron	670			95-RIR-0825-S	23.0														
Rubber on Iron-EHT	1005			95-RIR-0825-S-EHT	23.0														
V-Groove Iron	3000			95-VIR-0825-S	27.0														
8"	3"	Cast Iron Durastan Forged Steel Nylatron HD Omega	3000 2500 5500 10000 1600	10-1/2"	95-CIR-0830-S 95-DUR-0830-S 95-FSR-0830-S	95-NYB-0830-S	95-CIT-0830-S	2-3/16"	28.0 21.0 32.0 22.0 26.0										
		Rubber on Iron	840		95-UOR-0830-S		95-UOT-0830-S		23.0										
		Rubber on Iron-EHT	1260		95-RIR-0830-S		95-MUB-0830-S		23.0										
		Solid Urethane	1650		95-RIR-0830-S-EHT				95-RIT-0830-S-EHT	21.0									
		Urethane on Iron	2500		95-UIR-0830-S				95-UIT-0830-S	26.0									
		V-Groove Forged Steel	6000		95-VFR-0830-S		95-VFT-0830-S		29.0										
		V-Groove Iron	5000		95-VIR-0830-S	95-VIT-0830-S	30.0												
		8"	4"		Cast Iron Forged Steel Forged Steel HD	4000 10000 20000	10-1/2"		95-CIR-0840-S 95-FSR-0840-S		95-CIT-0840-S	2-3/16"	30.0 34.0 34.0						
					Urethane on Iron	3500			95-UIR-0840-S		95-UIT-0840-S		28.0						
					V-Groove Forged Steel	10000			95-VFR-0840-S		95-VFT-0840-S		34.0						
					V-Groove Forged Steel	15000							34.0						
					10"	3"			Cast Iron Durastan Forged Steel GT Nylatron HD Omega		4000 2900 6000 3400 10000 2000		12-1/2"	95-CIR-1030-S 95-DUR-1030-S 95-FSR-1030-S	95-GTB-1030-S 95-NYB-1030-S 95-UOB-1030-S 95-RAB-1030-S-EHT	95-CIT-1030-S	2-11/16"	38.0 25.0 39.0 25.0 26.0	
Rubber on Aluminum-EHT	2000			95-UOR-1030-S				95-UOT-1030-S	32.0										
Rubber on Iron	1000	95-RIR-1030-S	95-MUB-1030-S	95-RAT-1030-S-EHT			26.0												
Rubber on Iron-EHT	1500	95-RIR-1030-S-EHT		95-RIT-1030-S-EHT			28.0												
Solid Urethane	2000	95-UTR-1030-S		95-UTT-1030-S			32.0												
Ultra Thick Urethane	3400	95-UIR-1030-S	95-UIT-1030-S	32.0															
Urethane on Iron	3000	95-VFR-1030-S	95-VFT-1030-S	39.0															
V-Groove Forged Steel	6000	95-VIR-1030-S	95-VIT-1030-S	44.0															
V-Groove Iron	5000			41.0															
10"	4"	Forged Steel Forged Steel HD	10000 20000	12-1/2"			95-FSR-1040-S		95-FST-1040-S	2-7/16"	41.0 41.0								
		Rubber on Iron	1400				95-RIR-1040-S		95-RIT-1040-S		34.0								
		Ultra Thick Urethane	4500				95-UTR-1040-S		95-UTT-1040-S		36.0								
		Urethane on Iron	4200		95-UIR-1040-S	95-UIT-1040-S	63.0												
		V-Groove Forged	10000		95-VFR-1040-S		41.0												
		V-Groove Forged	15000			95-VFT-1040-S	41.0												
10"	5"	Urethane on Iron	5000	12-1/2"	95-UIR-1050-S		95-UIT-1050-S	2-5/8"	32.0										
12"	3"	Cast Iron Durastan Nylatron HD	5000 3500 10000	15-1/2"	95-CIR-1230-S 95-DUR-1230-S	95-NYB-1230-S 95-RAB-1230-S-EHT	95-CIT-1230-S	3-5/8"	41.0 29.0 37.0										
		Rubber on Aluminum-EHT	2280		95-RAT-1230-S-EHT		35.0												
		Rubber on Iron	1140		95-RIR-1230-S		95-RIT-1230-S		38.0										
		Rubber on Iron-EHT	1710		95-RIR-1230-S-EHT		95-RIT-1230-S-EHT		38.0										
		Ultra Thick Urethane	4100		95-UTR-1230-S	95-UTT-1230-S	35.0												
		Urethane on Iron	3400		95-UIR-1230-S	95-UIT-1230-S	42.0												
		V-Groove Iron	6000		95-VIR-1230-S	95-VIT-1230-S	43.0												
		12"	4"		Durastan Rubber on Iron Ultra Thick Urethane Urethane on Iron	4000 1600 5300 4800	15-1/2"		95-DUR-1240-S 95-RIR-1240-S 95-UTR-1240-S 95-UIR-1240-S		95-RIT-1240-S 95-UTT-1240-S 95-UIT-1240-S	3-5/8"	30.0 40.0 40.0 44.0						
12	5"			Rubber on Iron Ultra Thick Urethane Urethane on Iron	2050 6500 6000	15-1/2"		95-RIR-1250-S 95-UTR-1250-S 95-UIR-1250-S			95-RIT-1250-S 95-UTT-1250-S 95-UIT-1250-S		3-5/8"	44.0 49.0 48.0					
				14"	3"			Ultra Thick Urethane			4800			95-UTR-1430-S	95-UTT-1430-S	4-3/8"	39.0		
								Ultra Thick Urethane			6200			95-UTR-1440-S	95-UTT-1440-S	4-3/8"	44.0		
		Ultra Thick Urethane	7600				95-UTR-1450-S	95-UTT-1450-S		4-3/16"	52.0								
16"	3"	Durastan Rubber on Iron Ultra Thick Urethane Urethane on Iron	4000 1420 5400 4600	19"	95-DUR-1630-S 95-RIR-1630-S 95-UTR-1630-S 95-UIR-1630-S		95-RIT-1630-S 95-UTT-1630-S 95-UIT-1630-S	4-3/8"	35.0 45.0 47.0 48.0										
		16"	4"		Durastan Ultra Thick Urethane Urethane on Iron		8000 7100 6000		19"	95-DUR-1640-S 95-UTR-1640-S 95-UIR-1640-S		95-UTT-1640-S 95-UIT-1640-S	4-3/8"	37.0 52.0 54.0					
					16"		5"			Ultra Thick Urethane Urethane on Iron		8800 8400		19"	95-UTR-1650-S 95-UIR-1650-S		95-UTT-1650-S 95-UIT-1650-S	4-3/16"	60.0 60.0

UP TO 20,000 POUND CAPACITY



# 125 Series Casters

RWM's 125 Series features the patented Kingpinless™ design. This is the design that RWM patented, and has proven to be the best solution for demanding applications. This is the caster design that all others are now copying because it is simply unmatched in extending service life, reducing all possible causes for caster failure. The 125 Series offers capacity up to 40,000 pounds. Typical applications include ground support equipment, die carts, and aircraft engine stands. Leg thickness of 1/2" adds extra strength and durability. All swivel sections are supplied with a lubrication fitting for field maintenance. Our 125 Series Casters are proudly made in the USA!



125-UIT-0840-S

## Features

**Raceway Design:** Patented Kingpinless™ single ball bearing precision machined raceway hardened to 53 Rockwell C Minimum, 7" diameter raceway with 3/4" diameter ball bearings

**Capacity:** 40,000 lbs. Larger, higher capacity raceways are available. Contact factory for more information.

**Finish:** Laguna Blue paint

**Wheels:** Wheels are either 3", 4", 5" or 6" wide depending upon wheel size and type. Wheels have either a 3/4", 1", 1-1/4" or 1-1/2" roller bearing or 3/4", 1", 1-1/4" tapered wheel bearings. Roller bearing wheels rotate on a hardened and ground spanner, tapered wheel bearings rotate on the axle. All wheels are equipped with lubrication fittings.

**Mounting Plate Size:** 8-1/2" x 8-1/2" x 1/2"

**Bolt Hole Spacing:** 7" x 7"

**Mounting Bolt Diameter:** 5/8"

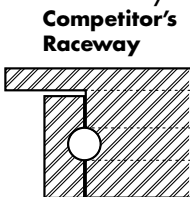
## Applications

The 125 Series typical applications include dollies, utility carts, tow line and platform trucks. It is also ideal for:

- ◆ tow lines
- ◆ abusive conditions
- ◆ automotive
- ◆ metal fabricating
- ◆ military equipment
- ◆ tractor pulled trailers
- ◆ air cargo & ground support equipment
- ◆ boat & ship molding and building
- ◆ storage tanks & gantries
- ◆ heavy duty processing equipment
- ◆ shock load applications
- ◆ production line dollies
- ◆ aerospace
- ◆ heavy machinery
- ◆ mobile homes
- ◆ extreme duty platform trucks

## The Majority of Competitor's Raceways

The inline positioning of the competition's raceway creates a direct "hammering" effect via the ball bearings which are centered on the tangent of the two raceways, thus savaging and eventually eroding the raceway. The inevitable result is



Competitor's Raceway

a loose fit and progressive swivel failure. The machining requirements of the competition to accommodate a swivel lock reduces strength, leading to premature fatigue, stress fractures of the raceway and eventual failure.

## Options

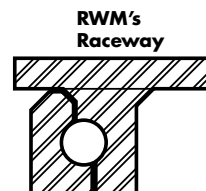
- DSL** Demountable Swivel Lock\*
- HDSL** Heavy Duty Demountable Swivel Lock
- FCWB** Face Contact Wheel Brake
- FG** Foot Guard
- HT** High Temperature Lubrication
- HTP** High Temperature Paint
- LT** Low Temperature Lubrication
- NY** Notched Yoke
- PCWB** Poly Cam Wheel Brake
- SL** Swivel Lock
- SR** Sealed Swivel Raceway
- WS** Wheel Seals
- ZP** Zinc Plated
- 8SL** 8 Position Swivel Lock

\*When ordering the Demountable Swivel Lock (DSL), you must also order the Notched Yoke (NY).

## RWM's Patented Offset Raceway - Why It's a Superior Design

Our patented offset precision-machined raceway exerts radial force evenly where there is full contact between the ball bearing and the raceway. RWM's unique design adds more mass at key points. This, plus more thorough heat treatment, provides additional strength and combats brinelling into the core material. The result:

- ◆ No direct "hammering" forces on the intersections of the raceways
- ◆ Vastly reduced raceway wear
- ◆ Elimination of the "pull apart" forces of stress in the swivel section
- ◆ Smoother swiveling action
- ◆ High maneuverability
- ◆ Longer service life
- ◆ Less maintenance
- ◆ Extra impact resistance
- ◆ High radial force absorption



RWM's Raceway

## OPTIONAL MOUNTING PLATES

Optional Top Plate Number	Mounting Plate	Bolt Hole Spacing	Bolt Size
LLST/LLRT	8-1/2" x 11"	7" x 9-3/4"	5/8"

UP TO 40,000 POUND CAPACITY

SPECIFICATIONS								
Wheel Diameter	Wheel Width	Wheel Type	lbs. Capacity	Overall Height	Swivel Caster Model Number		Swivel Lead	Approx. Weight
					Straight Roller Bearing	Tapered Roller Bearing		
8"	4"	Cast Iron	4000	11"	125-CIR-0840-S	125-CIT-0840-S	2-3/16"	70.0
		Forged Steel	10000		125-FSR-0840-S			86.0
		Forged Steel - HD	20000			125-FST-0840-S		86.0
		Urethane on Iron	3500		125-UIR-0840-S	125-UIT-0840-S		62.0
		V-Grooved Forged	10000		125-VFR-0840-S			80.0
		V-Grooved Forged	15000			125-VFT-0840-S		80.0
10"	4"	Cast Iron	5000	13"	125-CIR-1040-S	125-CIT-1040-S	2-9/16"	90.0
		Forged Steel	10000		125-FSR-1040-S			100.0
		Forged Steel - HD	20000			125-FST-1040-S		100.0
		Rubber On Iron	1400		125-RIR-1040-S	125-RIT-1040-S		72.0
		Ultra Thick Urethane	4500		125-UTR-1040-S	125-UTT-1040-S		62.0
		Urethane on Iron	4200		125-UIR-1040-S	125-UIT-1040-S		75.0
		V-Grooved Forged	10000		125-VFR-1040-S			92.0
		V-Grooved Forged	15000			125-VFT-1040-S		92.0
10"	5"	Cast Iron	6000	13"	125-CIR-1050-S	125-CIT-1050-S	2-9/16"	95.0
		Urethane on Iron	5000		125-UIR-1050-S	125-UIT-1050-S		80.0
11"	5"	Rubber On Iron	1760	14"	125-RIR-1150-S	125-RIT-1150-S	2-5/8"	85.0
		Urethane on Iron	5500		125-UIR-1150-S	125-UIT-1150-S		85.0
11"	6"	Cast Iron	10000	14"	125-CIR-1160-S	125-CIT-1160-S	2-3/4"	95.0
12"	4"	Rubber On Iron	1600	15-1/2"	125-RIR-1240-S	125-RIT-1240-S	3-3/8"	78.0
		Ultra Thick Urethane	5300		125-UTR-1240-S	125-UTT-1240-S		75.0
		Urethane on Iron	4800		125-UIR-1240-S	125-UIT-1240-S		78.0
12"	5"	Rubber On Iron	2050	15-1/2"	125-RIR-1250-S	125-RIT-1250-S	3-3/8"	90.0
		Ultra Thick Urethane	6500		125-UTR-1250-S	125-UTT-1250-S		78.0
		Urethane on Iron	6000		125-UIR-1250-S	125-UIT-1250-S		90.0
12"	6"	Cast Iron	10000	15-1/2"	125-CIR-1260-S	125-CIT-1260-S	3-3/8"	130.0
		Urethane on Iron	7500		125-UIR-1260-S	125-UIT-1260-S		95.0
14"	4"	Ultra Thick Urethane	6200	18"	125-UTR-1440-S	125-UTT-1440-S	3-11/16"	90.0
14"	5"	Ultra Thick Urethane	7600	18"	125-UTR-1450-S	125-UTT-1450-S	3-11/16"	85.0
14"	6"	Ultra Thick Urethane	9000	18"	125-UTR-1460-S	125-UTT-1460-S	3-11/16"	140.0
16"	4"	Rubber On Iron	2050	19"	125-RIR-1640-S	125-RIT-1640-S	3-9/16"	130.0
		Ultra Thick Urethane	7100		125-UTR-1640-S	125-UTT-1640-S		97.0
		Urethane on Iron	6000		125-UIR-1640-S	125-UIT-1640-S		130.0
16"	5"	Rubber On Iron	2570	19"	125-RIR-1650-S	125-RIT-1650-S	3-9/16"	140.0
		Ultra Thick Urethane	8800		125-UTR-1650-S	125-UTT-1650-S		130.0
		Urethane on Iron	8400		125-UIR-1650-S	125-UIT-1650-S		140.0
18"	5"	Rubber On Iron	2800	22"	125-RIR-1850-S	125-RIT-1850-S	4-1/4"	150.0
		Urethane on Iron	8600		125-UIR-1850-S	125-UIT-1850-S		138.0
20"	5"	Rubber On Iron	2900	23"	125-RIR-2050-S	125-RIT-2050-S	4-1/4"	155.0
		Urethane on Iron	9000		125-UIR-2050-S	125-UIT-2050-S		149.0

UP TO 40,000 POUND CAPACITY

To order a rigid caster, change the "S" to "R" in the model number. For example: "125-CIR-0840-R". To order rig only, omit the blue letters. For example: "125-0840-S". Dimensions shown are nominal. If precise dimensions are required, consult your B&C representative. For approximate weight of our rigid casters, deduct 12.5 pounds per item.

# 2-65 Series Casters

RWM's 2-65 Series Kingpinless™ Dual Wheel Casters feature all of the benefits of our patented Kingpinless™ raceway and twice the capacity load. Our 2-65 Series Casters are proudly made in the USA!



2-65-UAR-0420-S-42ST

## Features

**Raceway Design:** Patented Kingpinless™ single ball bearing precision machined raceway hardened to 53 Rockwell C minimum. Swivel section features a 2-3/8" diameter raceway with 3/8" ball bearings. The notched yoke is standard. All swivel sections are supplied with a lubrication fitting for field maintenance.

**Axle:** 1/2" diameter with lubrication fitting and lock nut

**Finish:** Zinc plated to protect from corrosion

**Wheels:** All wheels are 1-1/2" wide with a 3/4" I.D. roller bearing which rotates on a single 3/4" O.D. spanner bushing for ease of rollability. All bearings are pre-lubricated.

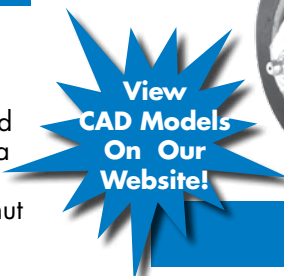
**Mounting Plate Size:** 4" x 4-1/2" x 1/4"

**Bolt Hole Spacing:** 2-5/8" x 3-5/8" slotted to 3" x 3"

**Mounting Bolt Diameter:** 3/8"

**Leg Thickness:** 1/4" formed steel

**Capacity:** 2000 lbs.



## Options

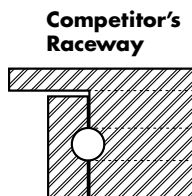
- CWB** Cam Wheel Brake
- DSL** Demountable Swivel Lock
- HT** High Temperature Lubrication
- HTP** High Temperature Paint
- LT** Low Temperature Lubrication
- SL** Swivel Lock
- SR** Sealed Swivel Raceway
- TG** Thread Guard

## Applications

Dual wheel casters offer high weight capacities with minimal overall heights, better load distribution, floor protection and mobility than single wheel casters. This is a result of spreading the weight over a wider floor area while offering wheel differential action, resulting in less friction between the wheels and the floor, requiring less effort for the caster to swivel. Dual wheel casters are ideal for tow lines, shock load applications and abusive conditions, production line dollies & trucks used in various industries.

### The Majority of Competitor's Raceways

The inline positioning of the competition's raceway (as opposed to the offset positioning utilized by RWM) creates a direct "hammering" effect via the ball bearings which are centered on the tangent of the two raceways, thus savaging and eventually eroding the raceway. The inevitable result is a loose fit and progressive swivel failure. Even a double raceway configuration is subject to these same "hammering" hazards. The machining requirements of the competition to accommodate a swivel lock reduces strength, leading to premature fatigue, stress fractures of the raceway and eventual failure.

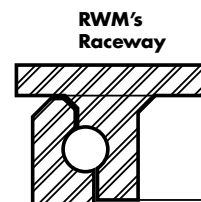


Dual wheel rigid casters utilize a plasma cut top plate with incorporated tabs for various wheel widths depending on the size and model ordered. Top plate dimensions given on this page are a general guideline when these tabs aren't necessary. For specifics on the dimensions of the top plate on your caster, please contact the factory at 1-800-634-7704.

### RWM's Patented Offset Raceway - Why It's a Superior Design

Our patented offset precision-machined raceway exerts radial force evenly where there is full contact between the ball bearing and the raceway. RWM's unique design adds more mass at key points. This, plus more thorough heat treatment, provides additional strength and combats brinelling into the core material. The result:

- ◆ No direct "hammering" forces on the intersections of the raceways
- ◆ Vastly reduced raceway wear
- ◆ Elimination of the "pull apart" forces of stress in the swivel section
- ◆ Smoother swiveling action
- ◆ High maneuverability
- ◆ Longer service life
- ◆ Less maintenance
- ◆ Extra impact resistance
- ◆ High radial force absorption



### OPTIONAL MOUNTING PLATES

Optional Top Plate Number	Mounting Plate	Bolt Hole Spacing	Bolt Size
41ST 41RT	4" x 5"	2-5/8" x 3-5/8" slotted to 3" x 4"	3/8"
42ST 42RT	4-1/2" x 6-1/2"	2-7/16 x 4-15/16 slotted to 3-3/8" x 5-1/4"	1/2"
43ST 43RT	5" x 5-1/2"	4-1/8" x 4-1/2"	3/8"

To order a rigid caster, change the "S" to "R" in the model number. For example: "2-65-CIR-0415-R". To order rig only, omit the blue letters.

For example: "2-65-0415-S". Dimensions shown are nominal. If precise dimensions are required, consult your B&C representative. For approximate weight of our rigid casters, deduct 5.4 pounds per item.

## SPECIFICATIONS

Wheel Diameter	Wheel Width	Wheel Type	lbs.Capacity	Overall Height	Swivel Caster Model Number		Swivel Lead	Approx Weight
					Straight Roller	Ball Bearing		
3-1/2"	1-1/2"	Urethane on Aluminum	840	4-7/8"	2-65- <b>UAR</b> -0315-S		1"	6.8
4"	1-1/2"	Cast Iron	1000	5-3/4"	2-65- <b>CIR</b> -0415-S	2-65- <b>CIB</b> -0415-S	1-1/8"	10.0
		Durastan	1200		2-65- <b>DUR</b> -0415-S	2-65- <b>DUB</b> -0415-S		8.0
		GT	1800			2-65- <b>GTB</b> -0415-S		8.0
		Nylatron HD	2000			2-65- <b>NYB</b> -0415-S		8.3
		Performance TPR	650		2-65- <b>RPR</b> -0415-S	2-65- <b>RPB</b> -0415-S		8.0
		Rubber on Iron	500		2-65- <b>RIR</b> -0415-S			8.0
		Urethane on Aluminum	1200		2-65- <b>UAR</b> -0415-S			7.5
		Urethane on Iron	1200		2-65- <b>UIR</b> -0415-S	2-65- <b>UIB</b> -0415-S		8.0
		Urethane Polypropylene	1000		2-65- <b>UPR</b> -0415-S	2-65- <b>UPB</b> -0415-S		7.5
		Urethane Solid	600		2-65- <b>USR</b> -0415-S			8.0
4"	2"	Cast Iron	1600	5-3/4"	2-65- <b>CIR</b> -0420-S	2-65- <b>CIB</b> -0420-S	1-1/8"	10.8
		Durastan	1600		2-65- <b>DUR</b> -0420-S			8.3
		GT	2000			2-65- <b>GTB</b> -0420-S		8.3
		High Temp Nylon	1600		2-65- <b>HNR</b> -0420-S			8.0
		Performance TPR	700		2-65- <b>RPR</b> -0420-S	2-65- <b>RPB</b> -0420-S		8.0
		Rubber on Aluminum-EHT	1400			2-75- <b>RAB</b> -0420-S-EHT		8.2
		Rubber on Iron	700		2-65- <b>RIR</b> -0420-S			8.3
		Signature Premium	800		2-65- <b>SWR</b> -0420-S	2-65- <b>SWB</b> -0420-S		8.1
		Solid Urethane	1400			2-65- <b>MUB</b> -0420-S		8.3
		Urethane on Aluminum	1400		2-65- <b>UAR</b> -0420-S			8.0
		Urethane on Iron	1400		2-65- <b>UIR</b> -0420-S			8.3
		Urethane on Polypropylene	1200		2-65- <b>UPR</b> -0420-S	2-65- <b>UPB</b> -0420-S		7.8
		5"	1-1/2"		Cast Iron	1200		6-3/4"
Durastan	1300			2-65- <b>DUR</b> -0515-S	2-65- <b>DUB</b> -0515-S	9.0		
GT	2000				2-65- <b>GTB</b> -0515-S	9.0		
Performance TPR	700			2-65- <b>RPR</b> -0515-S	2-65- <b>RPB</b> -0515-S	8.2		
Rubber on Iron	600			2-65- <b>RIR</b> -0515-S		9.0		
Urethane on Aluminum	1440			2-65- <b>UAR</b> -0515-S		8.5		
Urethane on Iron	1440			2-65- <b>UIR</b> -0515-S	2-65- <b>UIB</b> -0515-S	9.0		
Urethane Polypropylene	1400			2-65- <b>UPR</b> -0515-S	2-65- <b>UPB</b> -0515-S	8.0		
Urethane Solid	660			2-65- <b>USR</b> -0515-S		9.0		
5"	2"	Cast Iron	2000	6-3/4"	2-65- <b>CIR</b> -0520-S	2-65- <b>CIB</b> -0520-S	1-1/2"	12.4
		Durastan	2000		2-65- <b>DUR</b> -0520-S			9.3
		GT	2000			2-65- <b>GTB</b> -0520-S		9.3
		High Temp Nylon	2000		2-65- <b>HNR</b> -0520-S			8.8
		Performance TPR	750		2-65- <b>RPR</b> -0520-S	2-65- <b>RPB</b> -0520-S		8.3
		Rubber on Aluminum-EHT	1600			2-75- <b>RAB</b> -0520-S-EHT		9.0
		Signature Premium	1000		2-65- <b>SWR</b> -0520-S	2-65- <b>SWB</b> -0520-S		8.4
		Solid Urethane	2000			2-65- <b>MUB</b> -0520-S		9.2
		Urethane on Aluminum	2000		2-65- <b>UAR</b> -0520-S			8.8
		Urethane on Iron	2000		2-65- <b>UIR</b> -0520-S			9.5
		Urethane on Polypropylene	1500		2-65- <b>UPR</b> -0520-S	2-65- <b>UPB</b> -0520-S		8.5
6"	1-1/2"	Cast Iron	1200	7-3/4"	2-65- <b>CIR</b> -0615-S		1-1/2"	13.0
		Durastan	1600		2-65- <b>DUR</b> -0615-S	2-65- <b>DUB</b> -0615-S		10.0
		GT	2000			2-65- <b>GTB</b> -0615-S		10.0
		Performance TPR	700		2-65- <b>RPR</b> -0615-S	2-65- <b>RPB</b> -0615-S		8.5
		Rubber on Iron	740		2-65- <b>RIR</b> -0615-S			10.0
		Urethane on Iron	1680		2-65- <b>UIR</b> -0615-S	2-65- <b>UIB</b> -0615-S		12.0
		Urethane Polypropylene	1600		2-65- <b>UPR</b> -0615-S	2-65- <b>UPB</b> -0615-S		11.0
6"	2"	Cast Iron	2000	7-3/4"	2-65- <b>CIR</b> -0620-S	2-65- <b>CIB</b> -0620-S	1-1/2"	14.5
		Durastan	2000		2-65- <b>DUR</b> -0620-S			12.0
		GT	2000			2-65- <b>GTB</b> -0620-S		12.0
		High Temp Nylon	2000		2-65- <b>HNR</b> -0620-S			10.2
		Omega	2000		2-65- <b>UOR</b> -0620-S	2-65- <b>UOB</b> -0620-S		14.0
		Performance TPR	1050		2-65- <b>RPR</b> -0620-S	2-65- <b>RPB</b> -0620-S		10.0
		Rubber on Aluminum-EHT	1640			2-75- <b>RAB</b> -0620-S-EHT		11.5
		Signature Premium	1200		2-65- <b>SWR</b> -0620-S	2-65- <b>SWB</b> -0620-S		10.1
		Solid Urethane	2000			2-65- <b>MUB</b> -0620-S		12.0
		Urethane on Iron	2000		2-65- <b>UIR</b> -0620-S	2-65- <b>UIB</b> -0520-S		13.5
		Urethane on Polypropylene	1800		2-65- <b>UPR</b> -0620-S	2-65- <b>UPB</b> -0620-S		11.8

UP TO 2,000 POUND CAPACITY

# 2-75 Series Casters

RWM's 2-75 Series Kingpinless™ Dual Wheel Casters feature all of the benefits of our patented Kingpinless™ raceway and twice the capacity load. Our 2-75 Series Casters are proudly made in the USA!



## Features

**Raceway Design:** Patented Kingpinless™ single ball bearing precision machined raceway hardened to 53 Rockwell C minimum. Swivel section features a 3" diameter raceway with 1/2" ball bearings. The notched yoke is standard.

**Axle:** 1/2" bolt, locking nut and lubrication fittings

**Finish:** Laguna Blue paint

**Wheels:** All wheels are 2" wide with 3/4" I.D. roller bearings that are prelubricated and rotate on individual spanner bushings or annular ball bearings for ease of rollability.

**Mounting Plate Size:** 4-1/2" x 6-1/2" x 5/16"

**Bolt Hole Spacing:** 2-7/16" x 4-15/16", slotted to 3-3/8" x 5-1/4"

**Mounting Bolt Diameter:** 1/2"

**Leg Thickness:** 5/16" formed steel. Center leg support is added for increased strength.

**Capacity:** 6000 lbs.

## Applications

Dual wheel casters offer high weight capacities with minimal overall heights, better load distribution, floor protection and mobility than single wheel casters. This is a result of spreading the weight over a wider floor area while offering wheel differential action, resulting in less friction between the wheels and the floor, requiring less effort for the caster to swivel. Dual wheel casters are ideal for:

- ◆ tow lines
- ◆ abusive conditions
- ◆ automotive
- ◆ metal fabricating
- ◆ military equipment
- ◆ tractor pulled trailers
- ◆ air cargo & ground support equipment
- ◆ boat & ship molding and building
- ◆ storage tanks & gantries
- ◆ heavy duty processing equipment
- ◆ shock load applications
- ◆ production line dollies
- ◆ aerospace
- ◆ heavy machinery
- ◆ mobile homes
- ◆ extreme duty platform trucks

## The Majority of Competitor's Raceways

The inline positioning of the competition's raceway (as opposed to the offset positioning utilized by RWM) creates a direct "hammering" effect via the ball bearings which are centered on the tangent of the two raceways, thus savaging and eventually eroding the raceway. The inevitable result is a loose fit and progressive swivel failure. Even a double raceway configuration is subject to these same "hammering" hazards.

The machining requirements of the competition to accommodate a swivel lock reduces strength, leading to premature fatigue, stress fractures of the raceway and eventual failure.



2-75-HNR-0620-S

View  
CAD Models  
On Our  
Website!

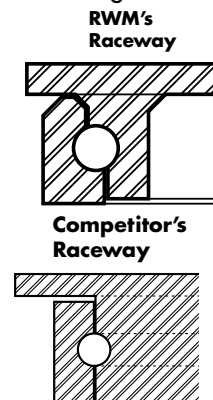
## Options

- CWB** Cam Wheel Brake
- DSL** Demountable Swivel Lock
- FG** Foot Guard
- HT** High Temperature Lubrication
- HTP** High Temperature Paint
- LT** Low Temp Lube
- SL** Swivel Lock
- SR** Sealed Swivel Raceway
- ZP** Zinc Plated

## RWM's Patented Offset Raceway – Why It's a Superior Design

Our patented offset precision-machined raceway exerts radial force evenly where there is full contact between the ball bearing and the raceway. RWM's unique design adds more mass at key points. This, plus more thorough heat treatment, provides additional strength and combats brinelling into the core material. The result:

- ◆ No direct "hammering" forces on the intersections of the raceways
- ◆ Vastly reduced raceway wear
- ◆ Elimination of the "pull apart" forces of stress in the swivel section
- ◆ Smoother swiveling action
- ◆ High maneuverability
- ◆ Longer service life
- ◆ Less maintenance
- ◆ Extra impact resistance
- ◆ High radial force absorption



UP TO 6,000 POUND CAPACITY

## SPECIFICATIONS

Wheel Diameter	Wheel Width	Wheel Type	lbs. Capacity	Overall Height	Swivel Caster Model Number		Swivel Lead	Approx Weight
					Straight Roller	Ball Bearing		
5"	2"	Cast Iron	2000	7-1/2"	2-75-CIR-0520-S	2-75-CIB-0520-S	1-7/16"	17.0
		Durastan	2000		2-75-DUR-0520-S			11.5
		GT	2400			2-75-GTB-0520-S		11.5
		High Temp Nylon	2000		2-75-HNR-0520-S			11.5
		Nylatron HD	4000			2-75-NYB-0520-S		12.0
		Performance TPR	750		2-75-RPR-0520-S	2-75-RPB-0520-S		14.0
		Rubber on Aluminum-EHT	1600			2-75-RAB-0520-S-EHT		15.5
		Rubber on Iron	800		2-75-RIR-0520-S			16.5
		Solid Urethane	2000			2-75-MUB-0520-S		12.5
		Urethane on Iron	2100		2-75-UIR-0520-S			16.5
		Urethane on Polypropylene	1500		2-75-UPR-0520-S	2-75-UPB-0520-S		14.0
6"	2"	Cast Iron	2400	8"	2-75-CIR-0620-S	2-75-CIB-0620-S	1-7/16"	18.5
		Durastan	2400		2-75-DUR-0620-S	2-75-DUB-0620-S		12.5
		High Temp Nylon	2400		2-75-HNR-0620-S			12.5
		GT	3000			2-75-GTB-0620-S		12.5
		Nylatron HD	4400			2-75-NYB-0620-S		13.5
		Performance TPR	1050		2-75-RPR-0620-S	2-75-RPB-0620-S		15.0
		Omega	2000		2-75-UOR-0620-S	2-75-UOB-0620-S		16.5
		Rubber on Aluminum-EHT	1640			2-75-RAB-0620-S-EHT		16.5
		Rubber on Iron	820		2-75-RIR-0620-S			17.5
		Solid Urethane	2400			2-75-MUB-0620-S		13.5
		Urethane on Iron	2460		2-75-UIR-0620-S	2-75-UIB-0620-S		17.5
Urethane on Polypropylene	1800	2-75-UPR-0620-S	2-75-UPB-0620-S	15.0				
8"	2"	Cast Iron	2800	10-1/8"	2-75-CIR-0820-S	2-75-CIB-0820-S	2-1/16"	23.0
		Durastan	2800		2-75-DUR-0820-S	2-75-DUB-0820-S		15.0
		GT	3600			2-75-GTB-0820-S		15.0
		Nylatron HD	6000			2-75-NYB-0820-S		16.0
		Omega	2400		2-75-UOR-0820-S	2-75-UOB-0820-S		18.0
		Rubber on Aluminum-EHT	2000			2-75-RAB-0820-S-EHT		17.5
		Rubber on Iron	1000		2-75-RIR-0820-S			18.5
		Performance TPR	1200		2-75-RPR-0820-S	2-75-RPB-0820-S		16.0
		Solid Urethane	3000			2-75-MUB-0820-S		16.0
		Urethane on Iron	3000		2-75-UIR-0820-S	2-75-UIB-0820-S		18.5
		Urethane on Polypropylene	2000		2-75-UPR-0820-S	2-75-UPB-0820-S		16.0

To order a rigid caster, change the "S" to "R" in the model number. For example: "2-75-CIR-0520-R". To order rig only, omit the blue letters. For example: "2-65-0520-S". Dimensions shown are nominal. If precise dimensions are required, consult your RWM representative. For approximate weight of our rigid casters, deduct 5.4 pounds per item.

## OPTIONAL MOUNTING PLATES

Optional Top Plate Number	Mounting Plate	Bolt Hole Spacing	Bolt Size
90ST*** 90RT	6" x 7"	4-5/8" x 5-1/2" slotted to 4-3/8" x 5-5/8"	1/2"
43ST* 43RT	5" x 5-1/2"	4-1/8" x 4-1/2"	3/8"
76ST** 76RT	5-1/4" x 7-1/4"	3-3/8" x 5-1/4" slotted to 4-1/8" x 6-1/8"	1/2"

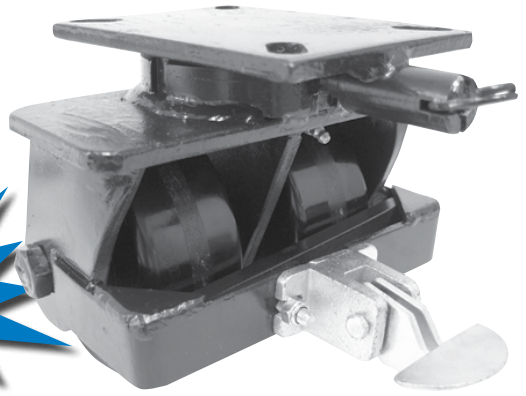
Dual wheel rigid casters utilize a plasma cut top plate with incorporated tabs for various wheel widths depending on the size and model ordered. Top plate dimensions given on this page are a general guideline when these tabs aren't necessary. For specifics on the dimensions of the top plate on your caster, please contact the factory at 1-800-634-7704.

- \* Subtract 1/16" OAH when using this top plate
- \*\* Add 1/16" OAH when using this top plate
- \*\*\* Add 3/16" OAH when using this top plate

UP TO 6,000 POUND CAPACITY

# 2-76 Series Casters

RWM's 2-76 Series Kingpinless™ Dual Wheel Casters feature all of the benefits of our patented Kingpinless™ raceway and twice the capacity load. Our 2-76 Series Casters are proudly made in the USA!



2-76-DUR-0625-S-SL-CWB

## Features

**Raceway Design:** Patented Kingpinless™ single ball bearing precision machined raceway hardened to 53 Rockwell C minimum. Swivel section features a 3" diameter raceway with 1/2" ball bearings. Notched yoke is standard.

**Axle:** 3/4" bolt with locking or slotted nut as required

**Finish:** Laguna Blue paint

**Wheels:** Wheels are available with either 1" roller bearings which rotate on hardened and ground spanner bushings or 3/4" tapered bearings that rotate on the axle. All wheels are equipped with a lubrication fitting.

**Mounting Plate Size:** 5-1/4" x 7-1/4" x 3/8"

**Bolt Hole Spacing:** 3-3/8" x 5-1/4", slotted to 4-1/8" x 6-1/8"

**Mounting Bolt Diameter:** 1/2"

**Leg Thickness:** 3/8"

**Capacity:** 7000 lbs.



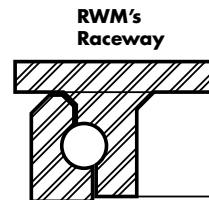
## Options

- CWB** Cam Wheel Brake
- DSL** Demountable Swivel Lock
- FG** Foot Guard
- HT** High Temperature Lubrication
- HTP** High Temperature Paint
- LT** Low Temperature Lubrication
- SL** Swivel Lock
- SR** Sealed Swivel Raceway
- ZP** Zinc Plated

## RWM's Patented Offset Raceway – Why It's a Superior Design

Our patented offset precision-machined raceway exerts radial force evenly where there is full contact between the ball bearing and the raceway. RWM's unique design adds more mass at key points. This, plus more thorough heat treatment, provides additional strength and combats brinelling into the core material. The result:

- ◆ No direct "hammering" forces on the intersections of the raceways
- ◆ Vastly reduced raceway wear
- ◆ Elimination of the "pull apart" forces of stress in the swivel section
- ◆ Smoother swiveling action
- ◆ High maneuverability
- ◆ Longer service life
- ◆ Less maintenance
- ◆ Extra impact resistance
- ◆ High radial force absorption



### OPTIONAL MOUNTING PLATES

Optional Top Plate Number	Mounting Plate	Bolt Hole Spacing	Bolt Size
90ST* 90RT	6" x 7"	4-5/8" x 5-1/2" slotted to 4-3/8" x 5-5/8"	1/2"
95ST* 95RT	6" x 7-1/2"	4-1/2" x 6" slotted to 4-1/8" x 6-1/8"	1/2"
75ST** 75RT**	4-1/2" x 6-1/2"	2-7/16" x 4-15/16" slotted to 3-3/8" x 5-1/4"	1/2"

\* Add 1/8" to caster overall height when using this top plate.

\*\* Deduct 1/16" from caster overall height when using this top plate.

## Applications

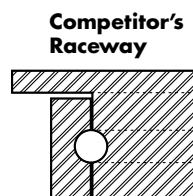
Dual wheel casters offer high weight capacities with minimal overall heights, better load distribution, floor protection and mobility than single wheel casters. This is a result of spreading the weight over a wider floor area while offering wheel differential action, resulting in less friction between the wheels and the floor, requiring less effort for the caster to swivel. Dual wheel casters are ideal for:

- ◆ tow lines
- ◆ abusive conditions
- ◆ automotive
- ◆ metal fabricating
- ◆ military equipment
- ◆ tractor pulled trailers
- ◆ air cargo & ground support equipment
- ◆ boat & ship molding and building
- ◆ storage tanks & gantries
- ◆ heavy duty processing equipment
- ◆ shock load applications
- ◆ production line dollies
- ◆ aerospace
- ◆ heavy machinery
- ◆ mobile homes
- ◆ extreme duty platform trucks

## The Majority of Competitor's Raceways

The inline positioning of the competition's raceway (as opposed to the offset positioning utilized by RWM) creates a direct "hammering" effect via the ball bearings which are centered on the tangent of the two raceways, thus savaging and eventually eroding the raceway. The inevitable result is a loose fit and progressive swivel failure. Even a double raceway configuration is subject to these same "hammering" hazards.

The machining requirements of the competition to accommodate a swivel lock reduces strength, leading to premature fatigue, stress fractures of the raceway and eventual failure.



UP TO 7,000 POUND CAPACITY

SPECIFICATIONS										
Wheel Diameter	Wheel Width	Wheel Type	lbs. Capacity	Overall Height	Swivel Caster Model Number			Swivel Lead	Approx Weight	
					Straight Roller Bearing	Ball Bearing	Tapered Roller Bearing			
6"	2-1/2"	Cast Iron	3600	8-1/16"	2-76-CIR-0625-S	2-76-GTB-0625-S	2-76-CIT-0625-S	2-1/16"	37.0	
		Durastan	3200		2-76-DUR-0625-S		21.7			
		GT	4600				21.0			
		Rubber on Iron	1080		2-76-RIR-0625-S				36.5	
		Rubber on Iron-EHT	2160		2-76-RIR-0625-S-EHT		2-76-RIT-0625-S-EHT		36.5	
		Urethane on Iron	3240		2-76-UIR-0625-S		2-76-UIT-0625-S		39.5	
6"	3"	Cast Iron	6000	8-1/16"	2-76-CIR-0630-S	2-76-NYB-0630-S	2-76-CIT-0630-S	2-1/16"	39.0	
		Durastan	4000		2-76-DUR-0630-S		24.0			
		Nylatron HD	5200				22.0			
		Rubber on Iron	1360		2-76-RIR-0630-S				33.0	
		Rubber on Iron-EHT	2720		2-76-RIR-0630-S-EHT		2-76-RIT-0630-S-EHT		33.0	
		Urethane on Iron	4000		2-76-UIR-0630-S		2-76-UIT-0630-S		33.0	
		Solid Urethane	4000				2-76-MUB-0630-S		24.0	
8"	2-1/2"	Cast Iron	4000	10-1/2"	2-76-CIR-0825-S	2-76-GTB-0825-S	2-76-CIT-0825-S	2-3/4"	52.0	
		Durastan	4000		2-76-DUR-0825-S		29.0			
		GT	4800				28.0			
		Rubber on Iron	1340		2-76-RIR-0825-S				41.5	
		Rubber on Iron-EHT	2680		2-76-RIR-0825-S-EHT		2-76-RIT-0825-S-EHT		41.5	
		Urethane on Iron	3600		2-76-UIR-0825-S		2-76-UIT-0825-S		48.5	
8"	3"	Cast Iron	6000	10-1/2"	2-76-CIR-0830-S	2-76-NYB-0830-S	2-76-CIT-0830-S	2-3/4"	49.0	
		Durastan	5000		2-76-DUR-0830-S		28.0			
		Nylatron HD	7000				29.0			
		Rubber on Iron	1680		2-76-RIR-0830-S				52.0	
		Rubber on Iron-EHT	3360		2-76-RIR-0830-S-EHT		2-76-RIT-0830-S-EHT		52.0	
		Solid Urethane	5000				2-76-MUB-0830-S		28.0	
		Urethane on Iron	5000		2-76-UIR-0830-S		2-76-UIT-0830-S		52.0	
10"	2-1/2"	Cast Iron	5000	12-1/2"	2-76-CIR-1025-S		2-76-CIT-1025-S	3-1/4"	63.5	
		Durastan	5000		2-76-DUR-1025-S		30.5			
		Rubber on Iron	1580		2-76-RIR-1025-S		2-76-RIT-1025-S		47.5	
		Rubber on Iron-EHT	3460		2-76-RIR-1025-S-EHT		2-76-RIT-1025-S-EHT		47.5	
		Urethane on Iron	4740		2-76-UIR-1025-S		2-76-UIT-1025-S		58.5	
10"	3"	Durastan	5800	12-1/2"	2-76-DUR-1030-S	2-76-GTB-1030-S		3-1/4"	31.0	
		GT	6800				2-76-RAB-1030-S-EHT		2-76-RAT-1030-S-EHT	61.0
		Rubber on Aluminum-EHT	4000						2-76-RIT-1030-S	61.0
		Rubber on Iron	2000		2-76-RIR-1030-S				2-76-RIT-1030-S-EHT	61.0
		Rubber on Iron-EHT	4000		2-76-RIR-1030-S-EHT					61.0
		Solid Urethane	6000				2-76-MUB-1030-S			31.0
		Ultra Thick Urethane	6800		2-76-UTR-1030-S				2-76-UTT-1030-S	64.0
		Urethane on Iron	6000		2-76-UIR-1030-S				2-76-UIT-1030-S	61.0
12"	2-1/2"	Durastan	6000	15-1/2"	2-76-DUR-1225-S			4-1/8"	44.5	
		Rubber on Iron	1800		2-76-RIR-1225-S		2-76-RIT-1225-S		55.5	
		Urethane on Iron	5400		2-76-UIR-1225-S		2-76-UIT-1225-S		76.2	
12"	3"	Cast Iron	7000	15-1/2"	2-76-CIR-1230-S	2-76-RAB-1230-S-EHT	2-76-CIT-1230-S	4-1/8"	88.0	
		Durastan	7000		2-76-DUR-1230-S				34.0	
		Rubber on Aluminum-EHT	4560				2-76-RAT-1230-S-EHT		2-76-RIT-1230-S-EHT	88.0
		Rubber on Iron	2280		2-76-RIR-1230-S				2-76-RIT-1230-S	88.0
		Rubber on Iron-EHT	4560		2-76-RIR-1230-S-EHT				2-76-RIT-1230-S-EHT	88.0
		Ultra Thick Urethane	7000		2-76-UTR-1230-S				2-76-UTT-1230-S	101.0
		Urethane on Iron	6800		2-76-UIR-1230-S				2-76-UIT-1230-S	88.0

UP TO 7,000 POUND CAPACITY

To order a rigid caster, change the "S" to "R" in the model number. For example: "2-76-CIR-0630-R". To order rig only, omit the blue letters. For example: "2-76-0630-S". Dimensions shown are nominal. If precise dimensions are required, consult your RWM representative. For approximate weight of our rigid casters, deduct 5.4 pounds per item.

Dual wheel rigid casters utilize a plasma cut top plate with incorporated tabs for various wheel widths depending on the size and model ordered. Top plate dimensions given on page 80 are a general guideline when these tabs aren't necessary. For specifics on the dimensions of the top plate on your caster, please contact the factory at 1-888-276-3386



# 2-85 Series Casters

RWM's 2-85 Series Kingpinless™ Dual Wheel Casters feature all of the benefits of our patented Kingpinless™ raceway and twice the capacity load. Our 2-85 Series Casters are proudly made in the USA!



2-85-UIR-0830-S

## Features

**Raceway Design:** Patented Kingpinless™ single ball bearing precision machined raceway hardened to 53 Rockwell C minimum. 4-1/4" diameter raceway with 5/8" ball bearings.

**Axle:** 3/4" bolt and nut for 3" wide, 1" or 1-1/4" bolt and nut for 4" wide, 1-1/4" bolt and nut for 5" wide.

**Finish:** Laguna Blue paint

**Wheels:** 3" wide wheels are available with either a 1" roller bearing that rotates on 3/4" x 1" x 3-9/16" hardened and ground spanner bushings or 3/4" tapered bearings that rotate on a 3/4" axle. 4" and 5" wheels are available with either a 1-1/4" I.D. roller bearing which rotates on hardened and ground spanner bushings or 1-1/4" tapered bearings which rotate on the axle. All wheels are equipped with lubrication fitting.

**Mounting Plate Size:** 6" x 7"

**Bolt Hole Spacing:** 4-5/8" x 5-1/2", slotted to 4-3/8" to 5-5/8"

**Mounting Bolt Diameter:** 1/2"

**Leg Thickness:** 3/8" double welded

**Mounting Plate Thickness:** 1/2"

**Capacity:** 10,000 lbs.

View  
CAD Models  
On Our  
Website!

## Options

- CWB** Cam Wheel Brake
- DSL** Demountable Swivel Lock\*
- FG** Foot Guard
- HDSL** Heavy Duty Demountable Swivel Lock
- HT** High Temperature Lubrication
- HTP** High Temperature Paint
- LT** Low Temperature Lubrication
- NY** Notched Yoke
- PCWB** Poly Cam Wheel Brake
- SL** Swivel Lock
- SR** Sealed Raceways
- WS** Wheel Seals
- ZP** Zinc Plating
- 8SL** 8 Position Swivel Lock

\*When ordering the Demountable Swivel Lock (DSL), you must also order the Notched Yoke (NY).

## Applications

Dual wheel casters offer high weight capacities with minimal overall heights, better load distribution, floor protection and mobility than single wheel casters. This is a result of spreading the weight over a wider floor area while offering wheel differential action, resulting in less friction between the wheels and the floor, requiring less effort for the caster to swivel. Dual wheel casters are ideal for tow lines, shock load applications and abusive conditions, production line dollies & trucks used in various industries.

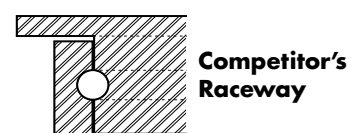
### RWM's Patented Offset Raceway – Why It's a Superior Design

Our patented offset precision-machined raceway exerts radial force evenly where there is full contact between the ball bearing and the raceway. RWM's unique design adds more mass at key points. This, plus more thorough heat treatment, provides additional strength and combats brinelling into the core material. The result: No direct "hammering" forces on the intersections of the raceways. Vastly reduced raceway wear. Elimination of the "pull apart" forces of stress in the swivel section. Smoother swiveling action. High maneuverability. Longer service life. Less maintenance.

#### OPTIONAL MOUNTING PLATES

Optional Top Plate Number	Mounting Plate	Bolt Hole Spacing	Bolt Size
95ST 95RT	6" x 7-1/2"	4-1/2" x 6" slotted to 4-1/8" x 6-1/8"	1/2"
LLST LLRT	8-1/2" x 11"	7" x 9-3/4"	5/8"
LMST LMRT	8-1/2" x 8-1/2"	7" x 7"	5/8"

Dual wheel rigid casters utilize a plasma cut top plate with incorporated tabs for various wheel widths depending on the size and model ordered. Top plate dimensions given on this page are a general guideline when these tabs aren't necessary. For specifics on the dimensions of the top plate on your caster, please contact the factory at 1-888-276-3386



To order a rigid caster, change the "S" to "R" in the model number. For example: "2-85-CIR-1040-R". To order rig only, omit the blue letters. For example: "2-85-1040-S". Dimensions shown are nominal. If precise dimensions are required, consult your B&C representative. For approximate weight of our rigid casters, deduct 5.4 pounds per item.

UP TO 10,000 POUND CAPACITY

## SPECIFICATIONS

Wheel Diameter	Wheel Width	Wheel Type	lbs. Capacity	Overall Height	Swivel Caster Model Number			Swivel Lead	Approx Weight lbs.
					Straight Roller Bearing	Ball Bearing	Tapered Roller Bearing		
6"	3"	Cast Iron	6000	8-1/2"	2-85-CIR-0630-S		2-85-CIT-0630-S	1-9/16"	39.0
		Durastan	4000		2-85-DUR-0630-S				24.0
		Forged Steel	10000		2-85-FSR-0630-S		2-85-FST-0630-S		55.0
		Nylatron HD	10,000			2-85-NYB-0630-S			23.0
		Solid Urethane	4000			2-85-MUB-0630-S			24.0
		Urethane on Iron	4000		2-85-UIR-0630-S		2-85-UIT-0630-S		33.0
8"	3"	Cast Iron	6000	10-1/2"	2-85-CIR-0830-S		2-85-CIT-0830-S	2"	49.0
		Durastan	5000		2-85-DUR-0830-S				28.0
		Forged Steel	10000		2-85-FSR-0830-S		2-85-FST-0830-S		56.0
		Nylatron HD	10000			2-85-NYB-0830-S			29.0
		Omega	3200		2-85-UOR-0830-S		2-85-UOT-0830-S		52.0
		Rubber On Iron	1680		2-85-RIR-0830-S				50.0
		Rubber on Iron-EHT	3360		2-85-RIR-0830-S-EHT		2-85-RIT-0830-S-EHT		50.0
		Solid Urethane	5000			2-85-MUB-0830-S			28.0
		Urethane on Iron	5000		2-85-UIR-0830-S		2-85-UIT-0830-S		52.0
8"	4"	Cast Iron	8000	10-1/2"	2-85-CIR-0840-S		2-85-CIT-0840-S	2"	68.0
		Forged Steel	10000		2-85-FSR-0840-S		2-85-FST-0840-S		88.0
		Urethane on Iron	7000		2-85-UIR-0840-S		2-85-UIT-0840-S		64.0
10"	3"	Cast Iron	8000	12-1/2"	2-85-CIR-1030-S		2-85-CIT-1030-S	2-1/2"	74.0
		Durastan	5800		2-85-DUR-1030-S				31.0
		Forged Steel	10000		2-85-FSR-1030-S		2-85-FST-1030-S		76.0
		GT	6800			2-85-GTB-1030-S			45.0
		Nylatron HD	10000			2-85-NYB-1030-S			46.0
		Omega	4000		2-85-UOR-1030-S		2-85-UOT-1030-S		61.0
		Rubber on Aluminum-EHT	4000			2-85-RAB-1030-S-EHT	2-85-RAT-1030-S-EHT		61.0
		Rubber On Iron	2000		2-85-RIR-1030-S		2-85-RIT-1030-S		54.0
		Rubber on Iron-EHT	4000		2-85-RIR-1030-S-EHT		2-85-RIT-1030-S-EHT		54.0
		Solid Urethane	6000			2-85-MUB-1030-S			31.0
		Ultra Thick Urethane	6800		2-85-UTR-1030-S		2-85-UTT-1030-S		64.0
Urethane on Iron	6000	2-85-UIR-1030-S		2-85-UIT-1030-S	61.0				
10"	4"	Cast Iron	10000	12-1/2"	2-85-CIR-1040-S		2-85-CIT-1040-S	2-1/2"	116.0
		Forged Steel	10000		2-85-FSR-1040-S		2-85-FST-1040-S		110.0
		Ultra Thick Urethane	9000		2-85-UTR-1040-S		2-85-UTT-1040-S		76.0
		Urethane on Iron	8400		2-85-UIR-1040-S		2-85-UIT-1040-S		76.0
12"	3"	Cast Iron	10000	15-1/2"	2-85-CIR-1230-S		2-85-CIT-1230-S	3-3/8"	83.0
		Durastan	7000		2-85-DUR-1230-S				34.0
		Rubber on Aluminum-EHT	4560			2-85-RAB-1230-S-EHT	2-85-RAT-1230-S-EHT		88.0
		Rubber On Iron	2280		2-85-RIR-1230-S		2-85-RIT-1230-S		83.0
		Rubber on Iron-EHT	4560		2-85-RIR-1230-S-EHT		2-85-RIT-1230-S-EHT		83.0
		Ultra Thick Urethane	8200		2-85-UTR-1230		2-85-UTT-1230-S		101.0
		Urethane on Iron	6800		2-85-UIR-1230-S		2-85-UIT-1230-S		88.0
12"	4"	Ultra Thick Urethane	10000	15-1/2"	2-85-UTR-1240-S		2-85-UTT-1240-S	3-3/8"	106.0
		Urethane on Iron	9600		2-85-UIR-1240-S		2-85-UIT-1240-S		96.0
12"	5"	Ultra Thick Urethane	10000	15-1/2"	2-85-UTR-1250-S		2-85-UTT-1250-S	3-3/8"	155.0
		Urethane on Iron	10000		2-85-UIR-1250-S		2-85-UIT-1250-S		155.0
12"	6"	Urethane on Iron	10000	15-1/2"	2-85-UIR-1260-S		2-85-UIT-1260-S	3-3/8"	180.0
14"	3"	Ultra Thick Urethane	9600	16-1/2"	2-85-UTR-1430-S		2-85-UTT-1430-S	3-13/16"	126.0
		Ultra Thick Urethane	10000		2-85-UTR-1440-S		2-85-UTT-1440-S		156.0
		Ultra Thick Urethane	10000		2-85-UTR-1450-S		2-85-UTT-1450-S		170.0
14"	6"	Urethane on Iron	10000	16-1/2"	2-85-UIR-1460-S		2-85-UIT-1460-S	3-13/16"	178.0
16"	3"	Durastan	8000	18-1/2"	2-85-DUR-1630-S			4"	89.0
		Ultra Thick Urethane	10000		2-85-UTR-1630-S		2-85-UTT-1630-S		94.0
		Urethane on Iron	9200		2-85-UIR-1630-S		2-85-UIT-1630-S		115.0
16"	4"	Ultra Thick Urethane	10000	18-1/2"	2-85-UTR-1640-S		2-85-UTT-1640-S	4"	165.0
		Urethane on Iron	10000		2-85-UIR-1640-S		2-85-UIT-1640-S		165.0
16"	5"	Ultra Thick Urethane	10000	18-1/2"	2-85-UTR-1650-S		2-85-UTT-1650-S	4"	205.0
		Urethane on Iron	10000		2-85-UIR-1650-S		2-85-UIT-1650-S		185.0

UP TO 10,000 POUND CAPACITY

# 2-95 Series Casters

RWM's 2-95 Series Kingpinless™ Dual Wheel Casters feature all of the benefits of our patented Kingpinless™ raceway and twice the capacity load. Our 2-95 Series Casters are proudly made in the USA!



2-95-UIR-0830-S

## Features

**Raceway Design:** 4-1/2" diameter with 3/4" diameter carbon steel balls. Precision machined and hardened to 53 Rockwell C minimum. Load and thrust are accommodated by our patented design. Sealed raceway is standard.

**Axle:** 3/4" bolt and nut for 3" wide, 1" or 1-1/4" bolt and nut for 4" wide, 1-1/4" bolt and nut for 5" wide.

**Finish:** Laguna Blue paint

**Wheels:** 3" wide wheels are available with either a 1" roller bearing that rotates on 3/4" x 1" x 3-9/16" hardened and ground spanner bushings or 3/4" tapered bearings that rotate on a 3/4" axle. 4" and 5" wheels are available with either a 1-1/4" I.D. roller bearings which rotate on a hardened and ground spanner bushing or 1-1/4" tapered bearings which rotate on the axle. All wheels are equipped with lubrication fitting.

**Mounting Plate Size:** 6-1/4" x 7-1/2" x 1/2" swivel top plate, 6" x 7-1/2" x 1/2" rigid top plate

**Bolt Hole Spacing:** 4-1/2" x 6", slotted to 4-1/8" x 6-1/8"

**Mounting Bolt Diameter:** 1/2"

**Leg Thickness:** 3/8" thick

**Mounting Plate Thickness:** 1/2"

**Capacity:** 20,000 lbs.



## Options

- CWB** Cam Wheel Brake
- DSL** Demountable Swivel Lock\*
- FG** Foot Guard
- HDSL** Heavy Duty Demountable Swivel Lock
- HT** High Temperature Lubrication
- LT** Low Temperature Lubrication
- PCWB** Poly Cam Wheel Brake
- NY** Notched Yoke Base
- SL** Swivel Lock (Add 1/4" to OAH)
- WS** Wheel Seals (Contact RWM)
- ZP** Zinc Plated

\*When ordering the Demountable Swivel Lock (DSL), you must also order the Notched Yoke (NY).

## Applications

Dual wheel casters offer high weight capacities with minimal overall heights, better load distribution, floor protection and mobility than single wheel casters. This is a result of spreading the weight over a wider floor area while offering wheel differential action, resulting in less friction between the wheels and the floor, requiring less effort for the caster to swivel. Dual wheel casters are ideal for tow lines, shock load applications and abusive conditions, production line dollies & trucks used in various industries.

### CUSTOM FABRICATION

If you don't find the right caster for your application, let our engineering team create one for you.

We custom design caster, wheel and non-powered material handling solutions to meet your individual needs.

Many of our new product innovations offer major improvements in performance and maximize value to our customers.

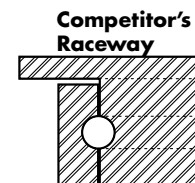
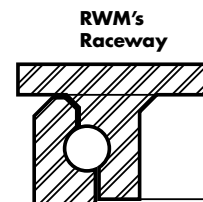
Dual wheel rigid casters utilize a plasma cut top plate with incorporated tabs for various wheel widths depending on the size and model ordered. Top plate dimensions are a general guideline when these tabs aren't necessary. For specifics on the dimensions of the top plate on your caster, please contact the factory at 1-800-634-7704.

## RWM's Patented Offset Raceway - Why It's a Superior Design

Our patented offset precision-machined raceway exerts radial force evenly where there is full contact between the ball bearing and the raceway. RWM's unique design adds more mass at key points. This, plus more thorough heat treatment, provides additional strength and combats brinelling into the core material.

The result:

- ◆ No direct "hammering" forces on the intersections of the raceways
- ◆ Vastly reduced raceway wear
- ◆ Elimination of the "pull apart" forces of stress in the swivel section
- ◆ Smoother swiveling action
- ◆ High maneuverability
- ◆ Longer service life
- ◆ Less maintenance
- ◆ Extra impact resistance
- ◆ High radial force absorption



UP TO 20,000 POUND CAPACITY

## SPECIFICATIONS

Wheel Diameter	Wheel Width	Wheel Type	lbs. Capacity	Overall Height	Swivel Caster Model Number			Swivel Lead	lbs. Approx Weight
					Straight Roller Bearing	Ball Bearing	Tapered Roller Bearing		
6"	3"	Cast Iron	6000	8-3/4"	2-95-CIR-0630-S		2-95-CIT-0630-S	1-9/16"	39
		Durastan	4000		2-95-DUR-0630-S				24
		Forged Steel	14300		2-95-FSR-0630-S		2-95-FST-0630-S		55
		Solid Urethane	4000			2-95-MUB-0630-S			24
		Urethane on Iron	4000		2-95-UIR-0630-S		2-95-UIT-0630-S		33
8"	3"	Cast Iron	6000	10-3/4"	2-95-CIR-0830-S		2-95-CIT-0830-S	2-1/16"	49
		Durastan	5000		2-95-DUR-0830-S				28
		Forged Steel	11000		2-95-FSR-0830-S		2-95-FST-0830-S		56
		Nylatron HD	20000			2-95-NYB-0830-S			29
		Omega	3200		2-95-UOR-0830-S		2-95-UOT-0830-S		52
		Rubber on Iron	1680		2-95-RIR-0830-S		2-95-RIT-0830-S		50
		Rubber on Iron-EHT	3360		2-95-RIR-0830-S-EHT		2-95-RIT-0830-S-EHT		50
		Solid Urethane	5000			2-95-MUB-0830-S			28
		Urethane on Iron	5000		2-95-UIR-0830-S		2-95-UIT-0830-S		52
8"	4"	Cast Iron	8000	10-3/4"	2-95-CIR-0840-S		2-95-CIT-0840-S	2-1/16"	68
		Forged Steel	20000		2-95-FSR-0840-S		2-95-FST-0840-S		88
		Urethane on Iron	7000		2-95-UIR-0840-S		2-95-UIT-0840-S		64
10"	3"	Cast Iron	8000	12-3/4"	2-95-CIR-1030-S		2-95-CIT-1030-S	2-9/16"	74
		Durastan	5800		2-95-DUR-1030-S				31
		Forged Steel	12000		2-95-FSR-1030-S		2-95-FST-1030-S		76
		GT	6800			2-95-GTB-1030-S			45
		Nylatron HD	20000			2-95-NYB-1030-S			46
		Omega	4000		2-95-UOR-1030-S		2-95-UOT-1030-S		61
		Rubber on Aluminum-EHT	4000			2-95-RAB-1030-S-EHT	2-95-RAT-1030-S-EHT		61
		Rubber on Iron	2000		2-95-RIR-1030-S		2-95-RIT-1030-S		54
		Rubber on Iron-EHT	4000		2-95-RIR-1030-S-EHT		2-95-RIT-1030-S-EHT		54
		Solid Urethane	6000			2-95-MUB-1030-S			31
		Ultra Thick Urethane	6800		2-95-UTR-1030-S		2-95-UTT-1030-S		64
Urethane on Iron	6000	2-95-UIR-1030-S		2-95-UIT-1030-S	61				
10"	4"	Cast Iron	10000	12-3/4"	2-95-CIR-1040-S		2-95-CIT-1040-S	2-9/16"	116
		Forged Steel	10000		2-95-FSR-1040-S				110
		Forged Steel	20000				2-95-FST-1040-S		110
		Rubber on Iron	3420		2-95-RIR-1040-S		2-95-RIT-1040-S		72
		Ultra Thick Urethane	9000		2-95-UTR-1040-S		2-95-UTT-1040-S		76
		Urethane on Iron	8400		2-95-UIR-1040-S		2-95-UIT-1040-S		76
									2-95-CIT-1230-S
12"	3"	Cast Iron	10000	15-1/2"	2-95-CIR-1230-S		2-95-CIT-1230-S	3-7/16"	83
		Durastan	7000		2-95-DUR-1230-S				34
		Rubber on Aluminum-EHT	4560			2-95-RAB-1230-S-EHT	2-95-RAT-1230-S-EHT		88
		Rubber on Iron	2280		2-95-RIR-1230-S		2-95-RIT-1230-S		83
		Rubber on Iron-EHT	4560		2-95-RIR-1230-S-EHT		2-95-RIT-1230-S-EHT		83
		Ultra Thick Urethane	8200		2-95-UTR-1230-S		2-95-UTT-1230-S		101
		Urethane on Iron	6800		2-95-UIR-1230-S		2-95-UIT-1230-S		88
12"	4"	Ultra Thick Urethane	10600	15-1/2"	2-95-UTR-1240-S		2-95-UTT-1240-S	3-7/16"	106
		Urethane on Iron	9600		2-95-UIR-1240-S		2-95-UIT-1240-S		96
12"	5"	Ultra Thick Urethane	13000	15-1/2"	2-95-UTR-1250-S		2-95-UTT-1250-S	3-7/16"	155
		Urethane on Iron	12000		2-95-UIR-1250-S		2-95-UIT-1250-S		155
12"	6"	Urethane on Iron	15000	15-1/2"	2-95-UIR-1260-S		2-95-UIT-1260-S	3-7/16"	180
14"	3"	Ultra Thick Urethane	9600	18"	2-95-UTR-1430-S		2-95-UTT-1430-S	3-7/8"	126
	4"	Ultra Thick Urethane	12400	18"	2-95-UTR-1440-S		2-95-UTT-1440-S	3-7/8"	156
	5"	Ultra Thick Urethane	15200	18"	2-95-UTR-1450-S		2-95-UTT-1450-S	3-7/8"	170
14"	6"	Urethane on Iron	18000	18"	2-95-UIR-1460-S		2-95-UIT-1460-S	3-7/8"	178
16"	3"	Durastan	8000	19"	2-95-DUR-1630-S			4-1/8"	89
		Ultra Thick Urethane	10800		2-95-UTR-1630-S		2-95-UTT-1630-S		94
		Urethane on Iron	9200		2-95-UIR-1630-S		2-95-UIT-1630-S		115
16"	4"	Ultra Thick Urethane	14200	19"	2-95-UTR-1640-S		2-95-UTT-1640-S	4-1/8"	165
		Urethane on Iron	12000		2-95-UIR-1640-S		2-95-UIT-1640-S		165
16"	5"	Ultra Thick Urethane	17600	19"	2-95-UTR-1650-S		2-95-UTT-1650-S	4-1/8"	205
		Urethane on Iron	16800		2-95-UIR-1650-S		2-95-UIT-1650-S		185

UP TO 20,000 POUND CAPACITY

To order a rigid caster, change the "S" to "R" in the model number. For example: "2-95-DUR-0830-R". To order rig only, omit the blue letters. For example: "2-95-0830-S". Dimensions shown are nominal. If precise dimensions are required, consult your RWM representative. For approximate weight of our rigid casters, deduct 5.4 pounds per item.

# 2-125 Series Casters

RWM's 2-125 Series Kingpinless™ Dual Wheel Casters feature all of the benefits of our patented Kingpinless™ raceway and twice the capacity load. Our 2-125 Series Casters are proudly made in the USA!



2-125-CIT-1260-S



## Features

**Raceway Design:** Patented Kingpinless™ single ball bearing precision machined raceway hardened to 53 Rockwell C. minimum. 7" diameter raceway with 3/4" diameter ball bearings.

**Axle:** 1-1/4" bolt with rotation prevent lug on leg and slotted nut adjustment

**Finish:** Laguna Blue paint

**Wheels:** Wheels are either 4", 5" or 6" wide depending upon diameter and wheel type. Roller bearing wheels are equipped with a bearing which rotates on hardened and ground spacers. Tapered bearing wheels have a 1-1/4" I.D. tapered bearing which rotate directly on a 1-1/4" axle. All wheels have lubrication fittings.

**Mounting Plate Size:** 8-1/2" x 8-1/2" x 1/2"

**Bolt Hole Spacing:** 7" x 7"

**Mounting Bolt Diameter:** 5/8"

**Leg Thickness:** 1/2" thick including the center leg

**Capacity:** 40,000 lbs.

## Applications

Dual wheel casters offer high weight capacities with minimal overall heights, better load distribution, floor protection and mobility than single wheel casters. This is a result of spreading the weight over a wider floor area while offering wheel differential action, resulting in less friction between the wheels and the floor, requiring less effort for the caster to swivel. Dual wheel casters are ideal for tow lines, shock load applications and abusive conditions, production line dollies & trucks used in various industries.

### OPTIONAL MOUNTING PLATES

Optional Top Plate Number	Mounting Plate	Bolt Hole Spacing	Bolt Size
LLST LLRT	8-1/2" X 11"	7" x 9-3/4"	5/8"

Contact factory for specialty top plates or applications.

Dual wheel rigid casters utilize a plasma cut top plate with incorporated tabs for various wheel widths depending on the size and model ordered. Top plate dimensions given on this page are a general guideline when these tabs aren't necessary. For specifics on the dimensions of the top plate on your caster, please contact the factory at 1-800-634-7704.

## Options

- DSL** Demountable Swivel Lock\*
- FG** Foot Guard
- HDSL** Heavy-Duty Threaded Swivel Lock
- HT** High Temperature Lubrication
- HTP** High Temperature Paint
- LT** Low Temperature Lubrication
- NY** Notched Yoke Base
- PCWB** Poly Cam Wheel Brake
- SL** Swivel Lock
- SR** Sealed Swivel Raceway
- WS** Wheel Seals
- ZP** Zinc Plated

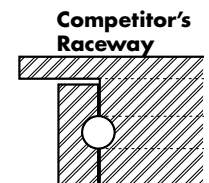
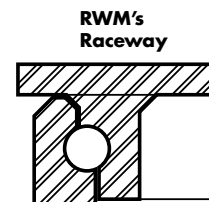
\*When ordering the Demountable Swivel Lock (DSL), you must also order the Notched Yoke (NY).

## RWM's Patented Offset Raceway - Why It's a Superior Design

Our patented offset precision-machined raceway exerts radial force evenly where there is full contact between the ball bearing and the raceway. RWM's unique design adds more mass at key points. This, plus more thorough heat treatment, provides additional strength and combats brinelling into the core material.

The result:

- ◆ No direct "hammering" forces on the intersections of the raceways
- ◆ Vastly reduced raceway wear
- ◆ Elimination of the "pull apart" forces of stress in the swivel section
- ◆ Smoother swiveling action
- ◆ High maneuverability
- ◆ Longer service life
- ◆ Less maintenance
- ◆ Extra impact resistance
- ◆ High radial force absorption



UP TO 40,000 POUND CAPACITY

SPECIFICATIONS								
Wheel Diameter	Wheel Width	Wheel Type	lbs. Capacity	Overall Height	Swivel Caster Model Number		Swivel Lead	lbs. Approx Weight
					Straight Roller Bearing	Tapered Roller Bearing		
8"	4"	Cast Iron	8000	11-1/2"	2-125-CIR-0840-S	2-125-CIT-0840-S	2-1/8"	70.0
		Forged Steel	20000		2-125-FSR-0840-S			86.0
		Forged Steel-HD	40000			2-125-FST-0840-S		86.0
		Urethane on Iron	7000		2-125-UIR-0840-S	2-125-UIT-0840-S		62.0
10	4"	Cast Iron	10000	13-1/2"	2-125-CIR-1040-S	2-125-CIT-1040-S	2-1/2"	90.0
		Forged Steel	20000		2-125-FSR-1040-S			100.0
		Forged Steel-HD	40000			2-125-FST-1040-S		100.0
		Ultra Thick Urethane	9000		2-125-UTR-1040-S	2-125-UTT-1040-S		95.0
		Urethane on Iron	8400		2-125-UIR-1040-S	2-125-UIT-1040-S		75.0
10"	5"	Cast Iron	12000	13-1/2"	2-125-CIR-1050-S	2-125-CIT-1050-S	2-1/2"	95.0
		Urethane on Iron	10000		2-125-UIR-1050-S	2-125-UIT-1050-S		115.0
12"	4"	Ultra Thick Urethane	10600	15-1/2"	2-125-UTR-1240-S	2-125-UTT-1240-S	2-7/8"	90.0
		Urethane on Iron	9600		2-125-UIR-1240-S	2-125-UIT-1240-S		78.0
12"	5"	Ultra Thick Urethane	13000	15-1/2"	2-125-UTR-1250-S	2-125-UTT-1250-S	2-7/8"	100.0
		Urethane on Iron	12000		2-125-UIR-1250-S	2-125-UIT-1250-S		90.0
12"	6"	Cast Iron	20000	15-1/2"	2-125-CIR-1260-S	2-125-CIT-1260-S	2-7/8"	130.0
		Urethane on Iron	15000		2-125-UIR-1260-S	2-125-UIT-1260-S		95.0
14"	4"	Ultra Thick Urethane	12400	18-1/2"	2-125-UTR-1440-S	2-125-UTT-1440-S	3-3/8"	120.0
14"	5"	Ultra Thick Urethane	15200	18-1/2"	2-125-UTR-1450-S	2-125-UTT-1450-S	3-3/8"	150.0
14"	6"	Urethane on Iron	18000	18-1/2"	2-125-UIR-1460-S	2-125-UIT-1460-S	3-3/8"	170.0
16"	4"	Ultra Thick Urethane	14200	19-1/2"	2-125-UTR-1640-S	2-125-UTT-1640-S	3-9/16"	130.0
		Urethane on Iron	12000		2-125-UIR-1640-S	2-125-UIT-1640-S		130.0
16"	5"	Ultra Thick Urethane	17600	19-1/2"	2-125-UTR-1650-S	2-125-UTT-1650-S	3-9/16"	210.0
		Urethane on Iron	16800		2-125-UIR-1650-S	2-125-UIT-1650-S		200.0
18"	5"	Urethane on Iron	17200	22"	2-125-UIR-1850-S	2-125-UIT-1850-S	4-3/8"	270.0
20"	5"	Urethane on Iron	18000	23-1/2"	2-125-UIR-2050-S	2-125-UIT-2050-S	4-5/16"	280.0

To order a rigid caster, change the "S" to "R" in the model number. For example: "2-125-CIR-0840-R". To order rig only, omit the blue letters. For example: "2-125-0840-S". Dimensions shown are nominal. If precise dimensions are required, consult your B&C representative. For approximate weight of our rigid casters, deduct 5.4 pounds per item.

## CUSTOM FABRICATION

If you don't find the right caster for your application, let our engineering team create one for you.

We custom design caster, wheel and non-powered material handling solutions to meet your individual needs.

Many of our new product innovations offer major improvements in performance and maximize value to our customers.

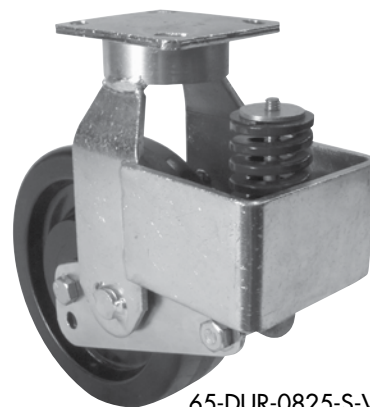


UP TO 40,000 POUND CAPACITY

# SA Series Casters

RWM's SA Series Casters:

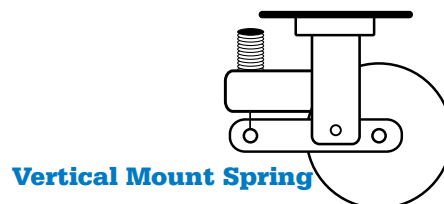
- ◆ Reduce stress on wheels and rigs due to shock from rough surfaces
- ◆ Dampen and isolate shocks and vibration from rough surfaces to protect cargo or contents in a cart or equipment
- ◆ Reduce noise caused by casters traveling over rough surfaces
- ◆ Equalize the load over uneven terrain among four or more casters, thereby reducing overloads on casters and twisting of the cart/frame



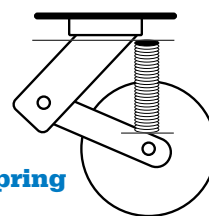
65-DUR-0825-S-VMS-500

## Applications

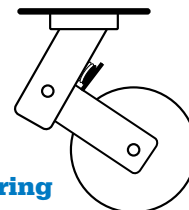
RWM's Shock Absorbing Casters feature either vertical mount springs, outside mount springs or inside mount springs. These are unique casters that were designed for specific applications and industries requiring a cushioned ride for protection from shock and vibration (spring loaded). These industrial casters are ideal for diagnostic and electrical equipment, institutional and laboratory equipment and stands, medical equipment and carts, mobile workstations, computer main frames and towers, point of purchase displays and shelving, food processing equipment, packaging equipment, sound and lighting equipment, ground support equipment, assembly line dollies, mobile storage racks and many other light to heavy duty applications. The Shock Absorbing Casters load ratings vary from 100 to 18,000 pounds.



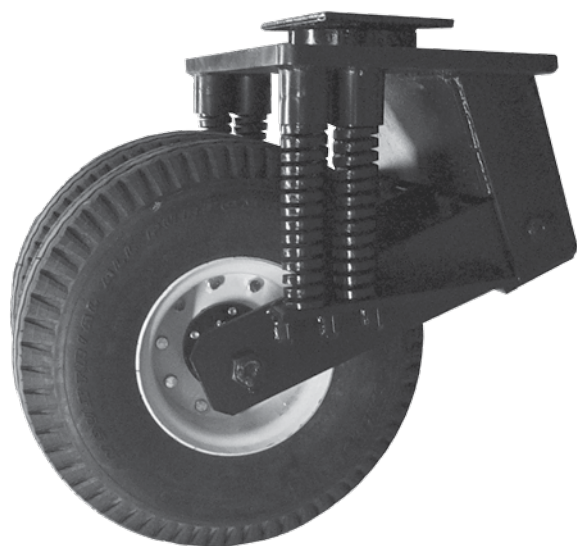
Vertical Mount Spring



Outside Mount Spring



Inside Mount Spring



2-125-FNT-2575-S-SA-OMS-LLST-FF-3,000#

## Options

- CWB** Cam Wheel Brake
- DSL** Demountable Swivel Lock\*
- FG** Foot Guard
- HDSSL** Heavy-Duty Threaded Swivel Lock
- NY** Notched Yoke Base
- PCWB** Poly Cam Wheel Brake
- SL** Swivel Lock
- SR** Sealed Swivel Raceway
- ZP** Zinc Plated

\*When ordering the Demountable Swivel Lock (DSL), also order the Notched Yoke (NY).

**Contact factory for pricing, specialty top plates or applications.**

\* Half deflection at specified overall height and caster load rating.

\*\* When placing an order, add the capacity to the end of the model number. Example: 65-DUR-0820-S-VMS-1000

‡ Often called working height. Add 1/2 of total deflection range to obtain height at no load. Example: 75-DUR-0825-S-VMS-500.

11" overall height plus 5/8" equals 11-5/8" height at no load. All dimensions are nominal. Contact B&C representative for exact information.

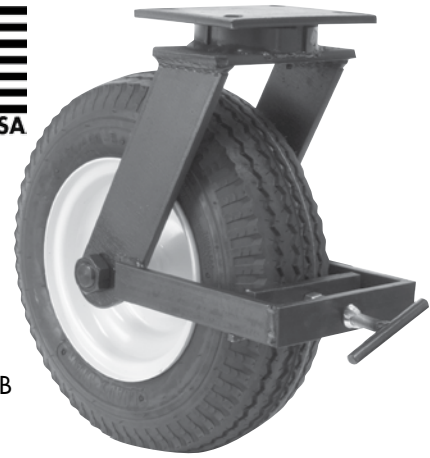
UP TO 18,000 POUND CAPACITY

 Wheel Diameter	 Wheel Width	 Wheel Type	 Swivel Series	 Overall Height @ 1/2 Deflection	 Swivel Lead	 Swivel Radius	 Deflection Range*	 Caster Load Rating Availability (Min-Max)**	 Approx Weight	 Swivel Caster Model Number**
<b>VMS SA CASTER</b>										
6"	2"	Phenolic	44	8-1/8"	1-3/4"	4-3/4"	7/8"	200-800	9.0	44-DUR-0620-S-VMS
		Rubber/Iron					1"	200-400	11.0	44-RIR-0620-S-VMS
		Urethane					1"	200-800	11.1	44-UIR-0620-S-VMS
8"	2"	Phenolic	44	10"	2-1/8"	6-1/8"	15/16"	200-1000	10.0	44-DUR-0820-S-VMS
		Rubber/Iron					1"	200-500	12.0	44-RIR-0820-S-VMS
		Urethane					1"	200-1000	12.0	44-UIR-0820-S-VMS
8"	2"	Phenolic	65	11"	2-1/8"	6-1/8"	1-1/4"	500-1000-1400	12.0	65-DUR-0820-S-VMS
		Rubber/Iron			2-1/4"	6-1/2"		500	13.0	65-RIR-0820-S-VMS
		Urethane			2-1/4"	6-1/2"		500-1000-1500	13.0	65-UIR-0820-S-VMS
8"	2-1/2"	Phenolic	75	11"	2-1/4"	6-1/2"	1-1/4"	500-1000-1500	13.5	75-DUR-0825-S-VMS
		Rubber/Iron						500-670	15.0	75-RIR-0825-S-VMS
		Urethane						500-1000-1500	15.0	75-UIR-0825-S-VMS
8"	2-1/2"	Phenolic	2-75	11"	2"	7-1/8"	1-1/4"	1000-2000-3000	27.0	2-75-DUR-0825-S-VMS
		Rubber/Iron			2-1/4"			1000-1340	30.0	2-75-RIR-0825-S-VMS
		Urethane			2-1/4"			1000-2000-3000	30.0	2-75-UIR-0825-S-VMS
10"	2-1/2"	Phenolic	75	13"	2-3/4"	8"	1-1/4"	500-1000-1050	15.0	75-DUR-1025-S-VMS
		Rubber/Iron						500-790	20.0	75-RIR-1025-S-VMS
		Urethane						500-1000-1500	20.0	75-UIR-1025-S-VMS
10"	2-1/2"	Phenolic	2-75	13"	2-3/4"	8"	1-1/4"	1000-2000-3000	30.0	2-75-DUR-1025-S-VMS
		Rubber/Iron						1000-1500	40.0	2-75-RIR-1025-S-VMS
		Urethane						1000-2000-3000	40.0	2-75-UIR-1025-S-VMS
10"	3"	Phenolic	2-75	13"	2-3/4"	8-5/8"	1-1/4"	1000-2000-3000	38.0	2-75-DUR-1030-S-VMS
		Rubber/Iron						1000-2000	48.0	2-75-RIR-1030-S-VMS
		Urethane						1000-2000-3000	48.0	2-75-UIR-1030-S-VMS
<b>OMS SA CASTER</b>										
12"	4"	Urethane	2-125	21"	5-1/2"	12-3/4"	2-1/2"	4800-9600	290.0	2-125-UIT-1240-S-OMS
		Urethane Thick						4800-9600	290.0	2-125-UTT-1240-S-OMS
12"	5"	Urethane	125	21"	5-1/2"	12"	2-1/2"	3250-6000	100.0	125-UIT-1250-S-OMS
		Urethane Thick						3250-6500	180.0	125-UIT-1650-S-OMS
16"	5"	Urethane	125	23"	5-1/2"	14"	2-1/2"	3250-6500	180.0	125-UIT-1650-S-OMS
		Urethane Thick						6500-13000	400.0	2-125-UIT-1650-S-OMS
16"	5"	Urethane	2-125	23"	5-1/2"	15"	2-1/2"	6500-13000	400.0	2-125-UIT-1650-S-OMS
		Urethane Thick						6500-13000	400.0	2-125-UTT-1650-S-OMS
18"	5"	Urethane	2-125	25"	5-1/2"	16"	2-1/4"	8000-16000	570.0	2-125-UIT-1850-S-OMS
20"	5"	Urethane Iron	2-125	25-5/8"	5-7/8"	18-5/8"	1-1/2"	10000-18000	925.0	2-125-UIT-2050-S-OMS
<b>IMS SA CASTER</b>										
4"	2"	Phenolic	65	7-1/4"	2"	4-1/8"	1-1/16"	100-200-250	10.0	65-DUR-0420-S-IMS
		Rubber/Iron						100-200-250	10.0	65-RIR-0420-S-IMS
		Urethane						100-200-250	10.0	65-UIR-0420-S-IMS
4"	2-1/2"	Urethane	65	7-1/4"	2"	4-1/4"	1-1/16"	100-200-250	10.0	65-UIB-0425-S-IMS
8"	2-1/2"	Phenolic	75	11"	4-1/2"	8-3/4"	1-1/2"	500-1000-1500-2000	13.5	75-DUR-0825-S-IMS
		Rubber/Iron						670	15.0	75-RIR-0825-S-IMS
		Urethane						1000-1500-2000	20.0	75-UIR-0825-S-IMS
8"	3"	Phenolic	75	11"	4-1/2"	8-3/4"	1-1/2"	1000-1500-2000	15.0	75-DUR-0830-S-IMS
		Rubber/Iron						840	17.0	75-RIR-0830-S-IMS
		Urethane						1000-1500-2000	27.0	75-UIT-0830-S-IMS
		Urethane Thick						1000-1500-2000	17.0	75-UTR-0830-S-IMS
8"	3"	Phenolic	2-85	11-1/2"	4-1/2"	9-3/8"	1-1/2"	2000-3000	35.0	2-85-DUR-0830-S-IMS
		Rubber/Iron						1680	45.0	2-85-RIR-0830-S-IMS
		Urethane						2000-3000	45.0	2-85-UIT-0830-S-IMS
		Urethane Thick						2000-3000	45.0	2-85-UTT-0830-S-IMS
10"	2-1/2"	Phenolic	75	13"	4-1/2"	9-3/4"	1-1/2"	1100-1650-2200	15.0	75-DUR-1025-S-IMS
		Rubber/Iron						790	20.0	75-RIR-1025-S-IMS
		Urethane						1100-1650-2200	49.0	75-UIR-1025-S-IMS
10"	3"	Phenolic	75	13"	4-1/2"	9-3/4"	1"	1100-1650-2200	18.0	75-DUR-1030-S-IMS
		Rubber/Iron						1000	40.0	75-RIR-1030-S-IMS
		Urethane						1100-1650-2200	23.0	75-UIT-1030-S-IMS
		Urethane Thick						1100-1650-2200	23.0	75-UTT-1030-S-IMS
10"	3"	Phenolic	2-85	13-1/2"	4-1/2"	10-1/4"	1-1/2"	2200-3300-4400	42.0	2-85-DUR-1030-S-IMS
		Rubber/Iron						2000	52.0	2-85-RIR-1030-S-IMS
		Urethane						2200-3300-4400	52.0	2-85-UIT-1030-S-IMS
		Urethane Thick						2200-3300-4400	52.0	2-85-UTT-1030-S-IMS
10"	5"	Urethane	125	15-1/2"	4-1/2"	10"	1-3/4"	2200-3300	80.0	125-UIT-1050-S-IMS
12"	3"	Phenolic	75	16"	5-1/2"	11-3/4"	1-3/4"	1100-2200-3300	26.0	75-DUR-1230-S-IMS
		Rubber/Iron						1100	31.0	75-RIR-1230-S-IMS
		Urethane						1100-2200-3300	47.0	75-UIT-1230-S-IMS
		Urethane Thick						1100-2200-3300	53.0	75-UTT-1230-S-IMS
12"	3"	Phenolic	2-85	16-1/2"	5-1/2"	12-1/4"	1"	2200-4400-6600	60.0	2-85-DUR-1230-S-IMS
		Rubber/Iron						2200	65.0	2-85-RIR-1230-S-IMS
		Urethane						2200-4400-6600	102.0	2-85-UIT-1230-S-IMS
		Urethane Thick						2200-4400-6600	116.0	2-85-UTT-1230-S-IMS
12"	5"	Urethane	125	16-1/2"	5-1/2"	12"	2"	2200-3300	290.0	125-UIT-1250-S-IMS



# Pneumatic Casters

RWM's Pneumatic Casters are designed for applications that require a cushioned ride, including but not limited to carts and trucks carrying sensitive materials and parts, glass, ceramics, electronics, chemicals, sound and lighting equipment, movie production equipment (ie: cameras), etc. Pneumatic casters are also useful on uneven floors and outdoor environments.



76-FNR-1648-S-FCWB

## Features

### 46 SERIES

**Swivel Section:** Cold formed top plate, yoke and button are all heat treated to prevent brinelling, improve swivel action and increase service life. Load and thrust bearings are hardened and ground and rotate on hardened raceways. All swivel sections are equipped with a lubrication fitting for field maintenance. Notched yokes are standard.

### 65 SERIES

**Raceway Design:** Patented Kingpinless™ single ball bearing precision machined raceway, to 53 Rockwell C minimum, lube fittings for swivel bearings and for wheel bearings. Swivel section features a 2-3/8" diameter raceway with 3/8" ball bearings. Notched yokes are standard.

### 76 SERIES

**Raceway Design** - Patented Kingpinless™ single ball bearing precision machined raceway hardened to 53 Rockwell C minimum. Swivel section features a 3" diameter raceway with 1/2" ball bearings. Lube fittings for swivel bearings and wheel bearings. Notched yokes are standard.

### 95 SERIES

**Raceway Design** - 4-1/2" diameter raceway with 3/4" diameter carbon steel balls. Precision machined and hardened to 53 Rockwell C minimum. Load and thrust are accommodated by our patented Kingpinless™ design. Sealed raceway is standard. Swivel Top Plate - SAE 1045 hot steel forging. Swivel Yoke Base - SAE 1045 hot steel forging.

### 125 SERIES

**Raceway Design** - Patented Kingpinless™ single ball bearing precision machined raceway hardened to 53 Rockwell C minimum. 7" diameter raceway with 3/4" diameter ball bearings.

## Options

- CWB** Cam Wheel Brake (for 8" & 10" wheel only)
- DSL** Demountable Swivel Lock\*
- FCWB** Face Contact Wheel Brake For Larger Sizes
- FF** Foam Fill Tire
- FG** Foot Guard
- HDSL** Heavy-Duty Threaded Swivel Lock
- NY** Notched Yoke
- PCWB** Poly Cam Brake
- SL** Swivel Lock
- SR** Sealed Swivel Raceway
- ZP** Zinc Plating

\*When ordering the Demountable Swivel Lock (DSL), you must also order the Notched Yoke (NY).

## Applications

Other applications for Pneumatic Casters may include luggage carts, platform trucks, material handling carts, warehouse and factory applications, job site tool boxes, security cages, stock carts, shelf trucks, mobile storage racks, etc.

### OPTIONAL MOUNTING PLATES

Prefix/ Top Plate Number	Mounting Plate	Bolt Hole Spacing	Bolt Size
<b>46 &amp; 65 SERIES</b>			
41ST 41RT	4" x 5"	2-5/8" x 3-5/8" slotted to 3" x 4"	3/8"
42ST	4-1/2" x 6-1/2"	2-7/16" x 4-15/16" slotted to 3-3/8" x 5-1/4"	1/2"
43ST	5" x 5-1/2"	4-1/8" x 4-1/2"	3/8"
<b>76 SERIES</b>			
90ST* 90RT	6" x 7"	4-5/8" x 5-1/2" slotted to 4-3/8" x 5-5/8"	1/2"
95ST* 95RT	6" x 7-1/2"	4-1/2" x 6" slotted to 4-1/8" x 6-1/8"	1/2"
75ST**	4-1/2" x 6-1/2"	2-7/16" x 4-15/16" slotted to 3-3/8" x 5-1/4"	1/2"
<b>125 SERIES</b>			
LLST LLRT	8-1/2" x 11"	7" x 9-3/4"	5/8"

UP TO 7,260 POUND CAPACITY

# Pneumatic Casters

SPECIFICATIONS									
Wheel Diameter	Wheel Width	Wheel Type	lbs. Capacity	Overall Height	Swivel Caster Model Number			Swivel Lead	Approx Weight
					Straight Roller Bearing	Ball Bearing	Tapered Roller Bearing		
8"	2.80/4"	FN Pneumatic	300	11"	46-FNR-0828-S	46-FNB-0828-S		2-5/8"	9.5
			300		65-FNR-0828-S	65-FNB-0828-S			13.0
			600		2-65-FNR-0828-S	2-65-FNB-0828-S			20.0
10"	4.10/4"	FN Pneumatic	480	13"	46-FNR-1041-S	46-FNB-1041-S		3-1/4"	11.0
			480		65-FNR-1041-S	65-FNB-1041-S	65-FNT-1041-S		14.5
			960		2-65-FNR-1041-S	2-65-FNB-1041-S	2-65-FNT-1041-S		22.0
12"	4.10/6"	FN Pneumatic	500	15-1/2"	46-FNR-1241-S	46-FNB-1241-S		3-1/2"	14.5
			500		65-FNR-1241-S	65-FNB-1241-S	65-FNT-1241-S		15.0
			1000		2-76-FNR-1241-S	2-76-FNB-1241-S	2-76-FNT-1241-S		35.0
14"	5.30/6"	FN Pneumatic	870	17-3/4"	76-FNR-1448-S	76-FNB-1448-S	76-FNT-1448-S	4-1/2"	28.0
			1740		2-76-FNR-1448-S	2-76-FNB-1448-S	2-76-FNT-1448-S		41.0
16"	4.80/8"	FN Pneumatic	1000	19-1/8"	76-FNR-1648-S		76-FNT-1648-S	4-1/2"	35.0
			1230				95-FNT-1648-S***	4"	45.0
			2000		2-76-FNR-1648-S		2-76-FNT-1648-S	4-1/2"	53.0
			2460				2-95-FNT-1648-S****	4"	45.0
18"	5.70/8"	FN Pneumatic	1170	21-1/4"	76-FNR-1857-S		76-FNT-1857-S	5"	40.0
			2340		2-76-FNR-1857-S		2-76-FNT-1857-S		60.0
			1560	21-1/2"	95-FNR-1857-S***		95-FNT-1857-S***	4-1/2"	55.0
			3120		2-95-FNR-1857-S***		2-95-FNT-1857-S***		82.0
21"	6.90/9"	FN Pneumatic	2420	24-1/4"			125-FNT-2169-S****	5"	84.5
			4840				2-125-FNT-2169-S****		130
23"	6.50/10"	FN Pneumatic	2775	26-1/4"			125-FNT-2365-S****	5"	87.0
			5550				2-125-FNT-2365-S****		135.0
25"	7.50/10"	FN Pneumatic	3630	28-3/4"			125-FNT-2575-S****	5"	90.5
			7260				2-125-FNT-2575-S****		140.0

To order a rigid caster, change the "S" to "R" in the model number. For example: "76-FNR-1857-R". To order rig only, omit the blue letters. For example: "76--1857-S". Dimensions shown are nominal. If precise dimensions are required, consult your B&C representative. For approximate weight of our rigid casters, deduct 9.6 pounds per item.

STANDARD MOUNTING PLATES			
Series/Prefix	Mounting Plate	Bolt Hole Spacing	Bolt Size
46 & 65	4" x 4-1/2"	2-5/8" x 3-5/8" slotted to 3" x 3"	3/8"
76	5-1/4" x 7-1/4"	3-3/8" x 5-1/4" slotted to 4-1/8" x 6-1/8"	1/2"
95	6-1/4" x 7-1/2" (swivel) 6" x 7-1/2" (rigid)	4-1/2" x 6" slotted to 4-1/8" x 6-1/8"	1/2"
125	8-1/2" x 8-1/2"	7" x 7"	5/8"

\*Add 1/8" to caster overall height when using this top plate.

\*\*Deduct 1/16" to caster overall height when using this top plate.

\*\*\* 6 ply

\*\*\*\* 10 ply

4 ply is standard. Maintain proper air pressure for best results. Capacity rating is for manual operation. For capacities of power moved loads, larger diameter or higher capacity wheels, please consult the factory.

UP TO 7,260 POUND CAPACITY

Our Economical Pneumatic Casters feature a cold formed top plate yoke and button that are heat treated for added service life. This caster is ideal for both indoor and outdoor applications where product protection is required.

Pneumatic wheels offer maximum floor protection and move freely over obstructions and rough floors. The wheels provide smooth, shock-resistant operation for delicate instruments and breakable components. All swivel sections are equipped with a lubrication fitting for field maintenance. Ball bearings provide maximum rolling ease and quiet operation for medium to heavy duty loads.



46-FNB-0828-S-E

## Features

**Swivel Section:** Double ball

**Kingpin:** 5/8" rivet

**Finish:** Zinc plated

**Wheels:** 8" Pneumatic

## Applications

RWM's Economical Pneumatic Casters are designed for applications that require a cushioned ride, including but not limited to carts and trucks carrying sensitive materials and parts, glass, ceramics, electronics, chemicals, sound & lighting equipment, movie production equipment (ie: cameras), etc. Pneumatic casters are also useful on uneven floors and outdoor environments. Other applications may include luggage carts, platform trucks, material handling carts, warehouse and factory applications, job site tool boxes, security cages, stock carts, shelf trucks, mobile storage racks, etc.

## Options

Contact RWM Customer Service for options for the Economical Full Pneumatic Casters at 1-800-634-7704 ext. 312 or 314.



## SPECIFICATIONS

Wheel Diameter	Wheel Width	Wheel Type	Capacity lbs.	Overall Height	Bearing	Ball	Swivel Lead	Approx. Weight lbs.
8"	2.80/4"	FN Pneumatic	300	9-3/4"	46-FNB-0828-S-E		2-1/8"	6.5

To order a rigid caster, change the "S" to "R" in the model number. For example, "46-FNB-0828-R-E". If precise dimensions are required, consult your B&C representative. For approximate weight of our rigid casters, deduct 0.8 pounds per item.

UP TO 350 POUND CAPACITY

# Total Lock 65 Series Casters

The supreme performance benefits offered by the kingpinless caster design are available in both a locking plate design and a scaffold caster arrangement. Both casters offer significant improvements in shock load safety factor over conventional kingpin casters. Don't trust your life or goods to inadequate casters! Be sure you're using the strongest total lock and scaffolding casters on the market!

RWM Caster's new total lock design is centered around the versatile 65 series caster. These rigs offer more shock, thrust and towing load capacities to ensure safe and stable work environments. Perfect for use in the aerospace production industry where foreign object debris from failed kingpin type casters could spell disaster for work personnel or costly damaged components.

An excellent choice where work loads of heavy capacity tooling carts, composite molds or scaffolding must be 100% stationary, providing a stable and reliable work platform.



LS65-RIR-0820-S



LP65-RIR-0820-S

## SCAFFOLD (LOCKING STEM) 65 SERIES

Wheel Diameter	Wheel Width	Wheel Type	Capacity lbs.	Overall Height	Swivel Caster Model Number			Swivel Lead	Approx Weight lbs.
					Straight Roller Bearing	Bearing	Ball		
8"	2"	Rubber on Iron	500	10-1/8"	LS65-RIR-0820-S	LS65-RIB-0820-S-Q	2-1/4"		

## LOCKING PLATE 65 SERIES

Wheel Diameter	Wheel Width	Wheel Type	Capacity lbs.	Overall Height	Swivel Caster Model Number			Swivel Lead	Approx Weight lbs.
					Straight Roller Bearing	Bearing	Ball		
8"	2"	Omega	1,200	10-1/2"	LP65-UOR-0820-S	LP65-UOB-0820-S	2-1/4"		
		Rubber on Iron	500		LP65-RIR-0820-S	LP65-RIB-0820-S-Q			
		Rubber on Aluminum EHT	750			LP65-RAB-0820-S-EHT			
		Signature	700		LP65-SWR-0820-S	LP65-SWB-0820-S			
		Torus	1,800			LP-65-UAB-0821-S			
		Urethane on Aluminum	1,500		LP65-UAR-0820-S	LP65-UAB-0820-S-Q			
		Urethane on Iron	1,500		LP65-UIR-0820-S	LP65-UIB-0820-S-Q			

UP TO 1,500 POUND CAPACITY

To order a rigid caster, change the "S" to "R" in the model number. For example: "65-CIR-0520-R". To order a rig only, omit the blue letters. For example: "65-0520-S". Dimensions shown are nominal. If precise dimensions are required, consult your B&C representative. For approximate weight of our rigid caster, deduct 1.5 pounds.

# Super Compact Casters

The ultimate solution for demanding situations requiring super capacities in a compact package. While taking up only 6.5" of vertical clearance, these casters are capable of moving up to 32,000 lbs. Heavy duty 1/2" thick reinforced steel construction backed by RWM's proven kingpinless raceway design provide the necessary strength to get the job done right. Ideal for enabling heavy machinery equipment, tooling, die molds, and home manufacturing lines to get the heaviest of loads off the ground and mobile.



Available in six standard offerings with custom design and manufacturing capabilities for an assortment of potential application specific uses. Custom caster solutions are available and all RWM kingpinless product including the Super Compact casters are produced in the U.S.A.



SC125-MSB-0440-S



SC85-MSB-0440-S



## Features

Options shown below with machined steel wheels are also available with Nylatron HD wheels. Contact the factory for additional information and application specific input.

Wheel Diameter	Wheel Width	Wheel Type	Capacity	Overall Height	Model #	Swivel Lead	Approx. Weight
4	4	Machined Steel	10,000 lbs.	6"	SC85-MSB-0440-S	2-1/4"	28 lbs.
4	4	Machined Steel	32,000 lbs.	6-1/2"	SC125-MSB-0440-S	2-1/4"	47 lbs.

Model Number	Top Plate	Plate Dimensions
SC85-MSB-0440-S	Standard	6" x 7" - 4-5/8" x 5/2 slotted to 4-3/8" x 5-5/8"
	Optional 95ST	6" X 7 1/2" - 4 1/2" X 6" Slotted to 4 1/8" X 6 1/8"
	Optional LLST	8 1/2" X 11" - 7" X 9 3/4"
SC125-MSB-0440-S	Optional LMST	8 1/2" X 8 1/2" - 7" X 7"
	Standard	8 1/2" X 8 1/2" - 7" X 7"
	Optional LLST	8 1/2" X 11" - 7" X 9 3/4"

## CUSTOM FABRICATION

If you don't find the right caster for your application, let our engineering team create one for you.

We custom design caster, wheel and non-powered material handling solutions to meet your individual needs.

Many of our new product innovations offer major improvements in performance and maximize value to our customers.



UP TO 32,000 POUND CAPACITY

# Custom Caster Design Capabilities

RWM Casters offers custom industrial caster design capabilities along with the manufacturing, quality control, testing and engineering facilities to meet your individual needs. Many of our new product innovations offer major improvements in performance and maximize value to our customers.

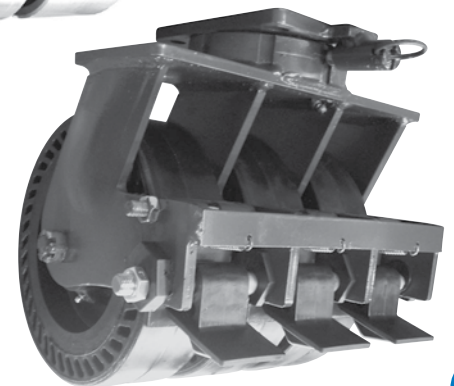
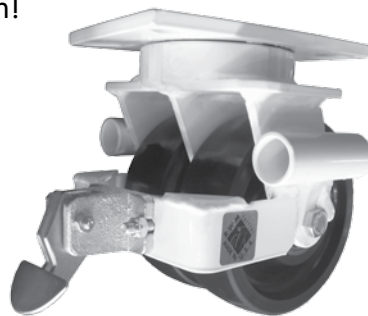
RWM produces all Kingpinless Casters in the USA along with several other domestically manufactured solutions. This allows RWM full control over the design, manufacture, testing and quality processes involved ensuring high performance product output. RWM Casters is ISO 9001 Registered requiring strict adherence to quality policies as set forth by the quality and engineering departments.

Custom caster solutions range from:

- ◆ integrated foot guards
- ◆ special brake designs
- ◆ unique top plates
- ◆ brush casters
- ◆ FOD reduction casters
- ◆ spring loaded casters
- ◆ special swivel locking devices
- ◆ ultra heavy duty casters exceeding 60k lbs capacity
- ◆ highly ergonomic casters tested specifically for automotive and tow assembly line applications
- ◆ keywayed, grooved, or flanged wheel designs of various materials
- ◆ special finishes and protective coatings

RWM Casters Company works with customers to cover every detail, ensure the right product, design products, test and then implement products into the field. 3-D CAD caster model downloads of our caster series are available for download direct from our website with prints and models of custom caster solutions available upon request.

Visit our website at [www.rwmcasters.com](http://www.rwmcasters.com) or contact customer service at 1-800-634-7704 to get things rolling on your unique application!



# S45 Stainless Steel Casters

RAPIDSTOCK

RWM's S45 Stainless Steel Casters come standard with stainless steel roller bearings, sealed bearings, precision ball bearings or celcon bearings, axles, spanners and spacers. Our S45 Series features a cold forged top plate, yoke and button that improves swivel action and increases service life with sealed raceways.

In 6 inch and smaller sizes, this caster features electropolished 304 stainless steel construction, the 8" size is constructed of 202 stainless steel. Stainless steel casters provide a dramatic increase in resistance to corrosion due to environmental or chemical factors. The S45 Series is ideal for wash-down applications such as food processing plants, food service equipment, large volume high temperature bakery and food cooking facilities and many more.

## Features

**Swivel Section:** Cold forged top plate, yoke and button improves swivel action and increases service life. Heavy duty load and thrust bearings are ground and rotate on raceways. Top plate and legs are 1/4" steel, legs formed for increased strength and continuously welded to yoke. All swivel sections are equipped with a lubrication fitting for field maintenance. RWM lubricates all swivel sections prior to shipment. Notched yokes and sealed swivel raceways are standard.

**Kingpin:** 5/8" diameter rivet hydraulically compressed to increase strength of swivel section as compared to staking

**Axle:** 1/2" diameter drilled axle with lubrication fitting provided on casters to improve ease of lubrication where required (not required for ball bearing).

**Mounting Plate Size:** 4" x 4-1/2" x 1/4"

**Bolt Hole Spacing:** 2-5/8" x 3-5/8", slotted to 3" x 3"

**Mounting Bolt Diameter:** 3/8"

**Raceway Seals:** Standard

**Capacity:** 900 lbs.

## Applications

RWM's Stainless Steel Casters feature 202 stainless steel that is highly resistant to conditions that would normally corrode and rust regular zinc plated steel casters. Our Stainless Steel Casters are ideal for wet or damp conditions and harsh environments that may rust or corrode standard zinc casters.

These casters are well suited for rugged duty and are designed for wash-down applications such as food processing plants, food service equipment, large volume high temperature bakery and food cooking facilities, bakery and bread racks, slaughter houses, fisheries, seafood processing plants, stock and maintenance carts, ingredient bins, institutional service carts and equipment, hatcheries, pharmaceutical plants and laboratories.



S45-SWB-0620-R

## Options

- DSL** Demountable Swivel Lock
- FCNB** Face Contact Nylon Brake\*\*
- FCNTLB** Face Contact Nylon Total Lock Brake\*\*
- HT** High Temperature Lubrication
- LT** Low Temperature Lubrication
- SICWB** Stainless Installable Face Contact Brake\*
- SL** Swivel Lock
- WBT** Stainless Side Wheel Brake Tread

\*Brake is all stainless except for tread lock spring and plastic pedal.

\*\* Will not work with DSL or SL



UP TO 900 POUND CAPACITY

# S45 Stainless Steel Casters

SPECIFICATIONS									
Wheel Diameter	Wheel Width	Wheel Type	lbs. Capacity	Overall Height	Swivel Caster Model Number			Swivel Lead	Approx Weight
					Straight Roller Bearing	Ball Bearing	Plain, Oilite, Celcon Bearing		
4"	2"	Durastan	800	5-5/8"	S45-DUR-0420-S		S45-DUC-0420-S	1-3/8"	5.2
		GT	900			S45-GTB-0420-S			5.2
		High Temp Nylon	800		S45-HNR-0420-S				5.2
		Performance TPR	350		S45-RPR-0420-S	S45-RPB-0420-S	S45-RPC-0420-S		5.3
		Polyolefin	500		S45-POR-0420-S		S45-POC-0420-S		4.8
		Signature	400		S45-SWR-0420-S	S45-SWB-0420-S	S45-SWC-0420-S		5.3
		Solid Urethane	500			S45-MUB-0420-S			5.2
		Urethane Polypropylene	600		S45-UPR-0420-S		S45-UPC-0420-S		5.3
5"	2"	Durastan	900	6-1/2"	S45-DUR-0520-S		S45-DUC-0520-S	1-11/16"	5.4
		GT	900			S45-GTB-0520-S			5.4
		High Temp Nylon	900		S45-HNR-0520-S				5.4
		Performance TPR	375		S45-RPR-0520-S	S45-RPB-0520-S	S45-RPC-0520-S		5.3
		Polyolefin	650		S45-POR-0520-S		S45-POC-0520-S		4.6
		Signature	500		S45-SWR-0520-S	S45-SWB-0520-S	S45-SWC-0520-S		5.3
		Solid Urethane	900			S45-MUB-0520-S			5.4
		Urethane Polypropylene	750		S45-UPR-0520-S		S45-UPC-0520-S		5.3
6"	2"	Durastan	900	7-1/2"	S45-DUR-0620-S		S45-DUC-0620-S	1-3/4"	6.3
		GT	900			S45-GTB-0620-S			6.3
		High Temp Nylon	900		S45-HNR-0620-S	S45-HNB-0620-S			6.3
		Performance TPR	525		S45-RPR-0620-S	S45-RPB-0620-S	S45-RPC-0620-S		5.7
		Polyolefin	700		S45-POR-0620-S		S45-POC-0620-S		5.0
		Signature	600		S45-SWR-0620-S	S45-SWB-0620-S	S45-SWC-0620-S		5.3
		Solid Urethane	900			S45-MUB-0620-S			6.3
		Urethane Polypropylene	900		S45-UPR-0620-S		S45-UPC-0620-S		5.7
8"	2"	Durastan	900	9-1/2"	S45-DUR-0820-S		S45-DUC-0820-S	2-1/4"	7.7
		GT	900			S45-GTB-0820-S			7.7
		Performance TPR	600		S45-RPR-0820-S	S45-RPB-0820-S	S45-RPC-0820-S		7.1
		Polyolefin	800		S45-POR-0820-S		S45-POC-0820-S		5.8
		Signature	700		S45-SWR-0820-S	S45-SWB-0820-S	S45-SWC-0820-S		5.3
		Solid Urethane	900			S45-MUB-0820-S			7.7
		Urethane Polypropylene	900		S45-UPR-0820-S		S45-UPC-0820-S		7.7

To order a rigid caster, change the "S" to "R" in the model number. For example: "S45-DUR-0420-R". To order a rig only, omit the blue letters. For example: "S45-0420-S". Dimensions shown are nominal. If precise dimensions are required, consult your B&C representative. For approximate weight of our rigid casters, deduct 0.9 pounds per item.

**NSF**  
COMPONENT

**Available NSF Products:**  
All casters except those with cast iron, soft rubber, rubber on iron, rubber on aluminum, forged steel, urethane on aluminum, urethane on iron, or V-groove wheels. The following options are also not available: DSL, HT, LT, SL, WS. Add "-N" to the end of the model number to specify an NSF approved caster. For example: S45-DUR-0620-S-N.

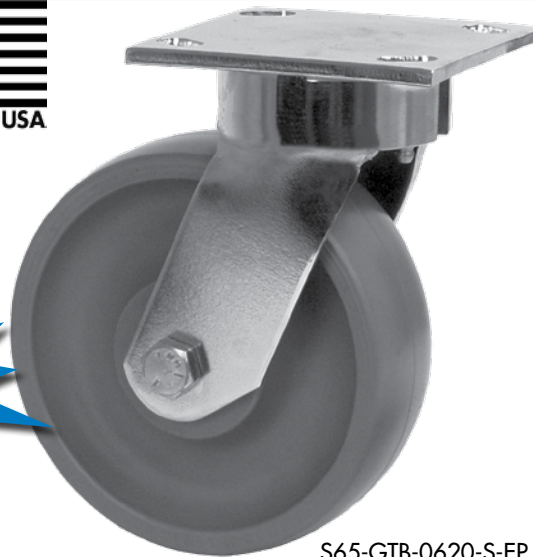
UP TO 900 POUND CAPACITY



# S65 Stainless Steel Casters

Medium Heavy Duty Casters

RWM's S65 Stainless Steel Casters are ideally suited for frequent washdown applications. This caster can handle cleaning agents, steam, caustic solutions or other corrosive agents that can cause rust or corrosion.



S65-GTB-0620-S-EP

## Features

**Raceway Design:** Patented Kingpinless™ single ball bearing precision machined raceway. 2-3/8" diameter raceway with 3/8" stainless ball bearings.

**Capacity:** 1200 lbs.

**Axle:** 1/2" bolt with locking nut

**Leg Thickness:** 3/16"

**Wheels:** Wheels are available with either a straight roller bearing, an annular ball bearing for ease of rollability, or a celcon bearing

**Mounting Plate Size:** 4" x 4-1/2" x 1/4"

**Bolt Hole Spacing:** 2-5/8" x 3-5/8" slotted to 3" x 3"

**Mounting Bolt Diameter:** 3/8"

View  
CAD Models  
On Our  
Website!

## Applications

RWM's Stainless Steel Casters feature surgical grade 304 stainless steel that is highly resistant to conditions that would normally corrode and rust regular zinc plated steel casters. Our Stainless Steel Casters are ideal for wet or damp conditions and harsh environments that may rust or corrode standard zinc casters. These casters are well suited for rugged duty and are designed for wash-down applications such as food processing plants, food service equipment, large volume high temperature bakery and food cooking facilities, bakery and bread racks, slaughter houses, fisheries, seafood processing plants, stock and maintenance carts, ingredient bins, institutional service carts and equipment, hatcheries, pharmaceutical plants and laboratories.

## Options

- DSL** Demountable Swivel Lock STD TP Only
- SCWB** Stainless Steel Cam Wheel Brake
- SICWB** Stainless Installable Face Contact Brake
- SL** Swivel Lock
- SR** Sealed Swivel Raceway
- SSBB** Stainless Steel Ball Bearing
- SSRB** Stainless Steel Roller Bearing
- WB** Stainless Side Wheel Brake (With Roller Bearings Only)
- WTHB** Stainless Welded T-Handle Brake
- EP** Electropolished Finish

UP TO 1,200 POUND CAPACITY

### OPTIONAL MOUNTING PLATES

Optional Top Plate Number	Mounting Plate	Bolt Hole Spacing	Bolt Size
41RT 41ST	4" x 5"	2-5/8" x 3-5/8" slotted to 3" x 4"	3/8"
42RT 42ST	4-1/2" x 6-1/2"	2-7/16" x 4-15/16" slotted to 3-3/8" x 5-1/4"	1/2"
43RT 43ST	5" x 5-1/2"	4-1/8" x 4-1/2"	3/8"

### OPTIONAL OVERALL HEIGHTS

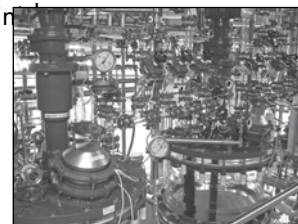
Wheel Diameter	Overall Height
4"	5-9/16"
5"	6-11/16"
6"	7-5/8"
8"	9-1/2"



COMPONENT

#### Available NSF Products:

All casters except those with cast iron, soft rubber, Omega, rubber on iron, rubber on aluminum, forged steel, urethane on aluminum, urethane on iron, or V-groove wheels. The following options are also not available: SL and SR. Add "-N" to the end of the model number to specify an NSF approved caster. For example: S65-DUR-0620-S-N.



To order a rigid caster, change the "S" to "R" in the model number. For example: "S65-GTB-0420-R". To order a rig only, omit the blue letters. For example: "S65-0420-S". Dimensions shown are nominal. If precise dimensions are required, consult your B&C representative. For approximate weight of our rigid caster, deduct 5.4 pounds.

# S65 Stainless Steel Casters

## SPECIFICATIONS

Wheel Diameter	Wheel Width	Wheel Type	lbs. Capacity	Overall Height	Swivel Caster Model Number			Swivel Lead	Approx Weight
					Straight Roller Bearing	Ball Bearing	Plain, Oilite, Celcon Bearing		
4"	2"	Durastan	800	5-5/8"	S65-DUR-0420-S	S65-DUB-0420-S	S65-DUC-0420-S	1-1/4"	8.0
		GT	1050			S65-GTB-0420-S			8.0
		High Temp. Nylon	800		S65-HNR-0420-S				8.0
		Performance TPR	350		S65-RPR-0420-S	S65-RPB-0420-S	S65-RPC-0420-S		7.3
		Polyolefin	500		S65-POR-0420-S	S65-POB-0420-S	S65-POC-0420-S		7.6
		Rubber on Aluminum-EHT	700			S65-RAB-0420-S-EHT			8.0
		Signature	400			S65-SWB-0420-S			7.0
		Solid Urethane	700			S65-MUB-0420-S			8.0
		Urethane on Aluminum	700		S65-UAR-0420-S		S65-UAC-0420-S		7.5
		Urethane on Iron	700		S65-UIR-0420-S	S65-UIB-0420-S	S65-UIC-0420-S		8.0
		Urethane Polypropylene	600		S65-UPR-0420-S	S65-UPB-0420-S	S65-UPC-0420-S		7.3
5"	2"	Durastan	1000	6-1/2"	S65-DUR-0520-S	S65-DUB-0520-S	S65-DUC-0520-S	1-7/16"	9.0
		GT	1200			S65-GTB-0520-S			9.0
		High Temp Nylon	1000		S65-HNR-0520-S				9.0
		Performance TPR	375		S65-RPR-0520-S	S65-RPB-0520-S	S65-RPC-0520-S		7.3
		Polyolefin	650		S65-POR-0520-S	S65-POB-0520-S	S65-POC-0520-S		8.7
		Rubber on Aluminum-EHT	800			S65-RAB-0520-S-EHT			8.6
		Signature	500			S65-SWB-0520-S			8.0
		Solid Urethane	1000			S65-MUB-0520-S			9.0
		Urethane on Aluminum	1050		S65-UAR-0520-S		S65-UAC-0520-S		8.5
		Urethane on Iron	1050		S65-UIR-0520-S	S65-UIB-0520-S	S65-UIC-0520-S		9.0
		Urethane Polypropylene	750		S65-UPR-0520-S	S65-UPB-0520-S	S65-UPC-0520-S		7.3
6"	2"	Durastan	1200	7-1/2"	S65-DUR-0620-S		S65-DUC-0620-S	1-5/8"	10.0
		GT	1200			S65-GTB-0620-S			10.0
		High Temp. Nylon	1200		S65-HNR-0620-S	S65-HNB-0620-S			10.0
		Omega	1000		S65-UOR-0620-S	S65-UOB-0620-S	S65-UOC-0620-S		12.0
		Performance TPR	525		S65-RPR-0620-S	S65-RPB-0620-S	S65-RPC-0620-S		7.7
		Polyolefin	700		S65-POR-0620-S	S65-POB-0620-S	S65-POC-0620-S		8.7
		Rubber on Aluminum-EHT	820			S65-RAB-0620-S-EHT			10.0
		Signature	600			S65-SWB-0620-S			9.0
		Solid Urethane	1200			S65-MUB-0620-S			10.0
		Urethane on Aluminum	1200		S65-UAR-0620-S		S65-UAC-0620-S		11.0
		Urethane on Iron	1200		S65-UIR-0620-S	S65-UIB-0620-S	S65-UIC-0620-S		12.0
Urethane Polypropylene	900	S65-UPR-0620-S	S65-UPB-0620-S	S65-UPC-0620-S	7.7				
8"	2"	Durastan	1200	10-1/8"	S65-DUR-0820-S	S65-DUB-0820-S	S65-DUC-0820-S	2-3/8"	11.0
		GT	1200			S65-GTB-0820-S			11.0
		Omega	1200		S65-UOR-0820-S	S65-UOB-0820-S	S65-UOC-0820-S		13.0
		Performance TPR	600		S65-RPR-0820-S	S65-RPB-0820-S	S65-RPC-0820-S		8.1
		Polyolefin	800		S65-POR-0820-S	S65-POB-0820-S	S65-POC-0820-S		9.1
		Rubber on Aluminum-EHT	1000			S65-RAB-0820-S-EHT			11.0
		Signature	700			S65-SWB-0820-S			10.00
		Solid Urethane	1200			S65-MUB-0820-S			11.0
		Urethane on Aluminum	1200		S65-UAR-0820-S		S65-UAC-0820-S		12.0
		Urethane on Iron	1200		S65-UIR-0820-S	S65-UIB-0820-S	S65-UIC-0820-S		13.0
		Urethane Polypropylene	1000		S65-UPR-0820-S	S65-UPB-0820-S	S65-UPC-0820-S		9.1

UP TO 1,200 POUND CAPACITY

# S75 Stainless Steel Casters

**RAPIDSTOCK**

RWM's S75 Stainless Steel Kingpinless™ Design Casters are ideally suited for frequent washdown applications. This caster can handle cleaning agents, steam, caustic solutions or other corrosive agents that can cause rust or corrosion. We are proud to say that these industrial casters are Made in the USA. The S75 Stainless Steel kingpinless casters are constructed of high quality 304 stainless steel for the best possible corrosion performance attributes.



S75-GTB-0625-S-SSBB-WTHB

## Features

**Raceway Design:** Patented Kingpinless™ single ball bearing precision machined raceway. 3" diameter raceway with 1/2" stainless ball bearings

**Leg Thickness:** 1/4"

**Mounting Plate Size:** 4-1/2" x 6-1/2" x 1/4"

**Bolt Hole Spacing:** 2-7/16" x 4-15/16" slotted to 3-3/8" x 5-1/4"

**Mounting Bolt Diameter:** 1/2"

View  
CAD Models  
On Our  
Website!

## Applications

RWM's Stainless Steel Casters feature surgical grade 304 stainless steel that is highly resistant to conditions that would normally corrode and rust regular zinc plated steel casters. Our Stainless Steel Casters are ideal for wet or damp conditions and harsh environments that may rust or corrode standard zinc casters. These casters are well suited for rugged duty and are designed for wash-down applications such as food processing plants, food service equipment, large volume high temperature bakery and food cooking facilities, bakery and bread racks, slaughter houses, fisheries, seafood processing plants, stock and maintenance carts, ingredient bins, institutional service carts and equipment, hatcheries, pharmaceutical plants and laboratories.

## Options

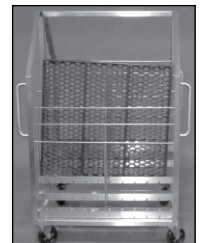
<b>EP</b>	Electropolish Finish
<b>SCWB</b>	Stainless Steel Cam Wheel Brake
<b>SL</b>	Swivel Lock
<b>SR</b>	Sealed Swivel Raceway
<b>SSBB</b>	Stainless Steel Ball Bearing
<b>SSRB</b>	Stainless Steel Roller Bearing
<b>WTHB</b>	Welded "T" Handle Brake

## CUSTOM FABRICATION

If you don't find the right caster for your application, let our engineering team create one for you.

We custom design caster, wheel and non-powered material handling solutions to meet your individual needs.

Many of our new product innovations offer major improvements in performance and maximize value to our customers.



UP TO 2,500 POUND CAPACITY

SPECIFICATIONS									
Wheel Diameter	Wheel Width	Wheel Type	Capacity lbs.	Overall Height	Swivel Caster Model Number			Swivel Lead	Approx. Weight lbs.
					Straight Roller Bearing	Ball Bearing	Tapered Roller Bearing		
6"	2-1/2"	Durastan	1600	7-1/2"	S75-DUR-0625-S			1-3/8"	11.5
		GT	2300			S75-GTB-0625-S			11.5
		Urethane on Iron	1620		S75-UIR-0625-S		S75-UIT-0625-S		16.5
6"	3"	Durastan	2000	7-1/2"	S75-DUR-0630-S			1-3/8"	12.5
		Solid Urethane	2000			S75-MUB-0630-S			12.5
		Urethane on Iron	2000		S75-UIR-0630-S		S75-UIT-0630-S		17.5
8"	2-1/2"	Durastan	2000	10-1/8"	S75-DUR-0825-S			2-1/16"	15.0
		GT	2400			S75-GTB-0825-S			15.0
		Urethane on Iron	2000		S75-UIR-0825-S		S75-UIT-0825-S		18.5
8"	3"	Durastan	2500	10-1/8"	S75-DUR-0830-S			2-1/16"	16.5
		Omega	1600		S75-UOR-0830-S		S75-UOT-0830-S		19.0
		Solid Urethane	2500			S75-MUB-0830-S			16.5
		Urethane on Iron	2500		S75-UIR-0830-S		S75-UIT-0830-S		19.5
		Whisper	2500		S75-UOR-0830-S		S75-UOT-0830-S		9.0
10"	2-1/2"	Durastan	2500	11-1/2"	S75-DUR-1025-S			2-1/4"	16.5
		Urethane on Iron	2370		S75-UIR-1025-S		S75-UIT-1025-S		21.5
10"	3"	Durastan	2500	11-1/2"	S75-DUR-1030-S			2-1/4"	20.0
		GT	2500			S75-GTB-1030-S			20.0
		Omega	2000		S-75-UOR-1030-S	S75-UOB-1030-S	S75-UOT-1030-S		22.0
		Rubber on Aluminum-EHT	2000			S75-RAB-1030-S	S75-RAT-1030-S		20.3
		Solid Urethane	2500			S75-MUB-1030-S			20.0
		Urethane on Iron	2500		S75-UIR-1030-S		S75-UIT-1030-S		22.5
		Ultra Thick Urethane	2500		S75-UTR-1030-S		S75-UTT-1030-S		25.0
		Whisper	2500			S75-UWB-1030-S			21.0
12	2-1/2"	Durastan	2500	13-1/2"	S75-DUR-1225-S			2-11/16"	20.5
		Urethane on Iron	2500		S75-UIR-1225-S		S75-UIT-1225-S		23.5
12	3"	Durastan	2500	13-1/2"	S75-DUR-1230-S			2-11/16"	22.5
		Rubber on Aluminum-EHT	2280			S75-RAB-1230-S	S75-RAT-1230-S		24.5
		Urethane on Iron	2500		S75-UIR-1230-S		S75-UIT-1230-S		26.5
		Ultra Thick Urethane	2500		S75-UTR-1230-S		S75-UTT-1230-S		28.0
		Whisper	2500			S75-UWB-1230-S			25.0

UP TO 2,500 POUND CAPACITY

To order a rigid caster, change the "S" to "R" in the model number. For example: "S75-DUR-0830-R". To order a rig only, omit the blue letters. For example: "S75-0830-S". Dimensions shown are nominal. If precise dimensions are required, consult your B&C representative. For approximate weight of our rigid caster, deduct 5.4 pounds.

# Durastan Phenolic Wheels

**RAPIDSTOCK**

DU Wheels

Durastan wheels are molded from prime phenolic resin compounds for maximum density and strength. Durastan wheels are made of a special water resistant compound using a homogeneous fiber reinforcement that gives excellent service even in wet and cold applications. In addition, Durastan wheels resist degradation, deterioration, corrosion from oil, grease, commonly used acids and solvents. Durastan wheels are recommended for all types of floors except resilient tile. Durastan wheels should not be towed at high speeds or used on poor or damaged floors.

## Features

**Wheel Bearing:** Choice of straight roller, annular ball, celcon or plain

**Retaining Washer:** All wheels 1-1/2" and wider with roller bearings are equipped with a metal thrust/retainer washer

**Temperature Range:** -65° to 275°F continuously, 300°F intermittently

**Bores :** Special sizes available upon request

**Lubrication :** Lubrication fittings standard on 2-1/2" and wider wheels

**Hardness:** 90 Shore D Durometer

## Applications

Durastan phenolic wheels are made from macerated cotton canvas and mixed with a quality premium phenolic resin compound. They are molded under high pressure under controlled conditions to produce a maximum density, superior strength product. Durastan phenolic wheels are extremely hard 90 Shore D, and roll very easily. They are not as loud as steel wheels and provide better floor protection. They are a very popular wheel and are used in a wide range of industrial applications including manufacturing, warehousing and bakeries. Durastan phenolic wheels are very economical. Special high temperature Durastan phenolic wheels are available for -45 to 475° Fahrenheit applications found in industrial bakeries and other high temperature applications. Durastan phenolic wheels are not recommended for submerged or constant wet environments.

**YY:** Shorter Hub Length

**SI:** Spanner Included



DUR-1030-16

## Options

**TG** Thread Guards on 1-1/4", 1-1/2" & 2" wide

**WS** Wheel Seals

**ZF** Zerk Fittings (standard on 6" x 2-1/2" and larger)

## Other Phenolic/Durastan Compounds

### DL-Laminated

The Durastan Laminated wheels have a macerated center with a continuously wound canvas tread bonded with phenolic resin. These wheels provide the same good floor protection as our standard Durastan wheels, but have a greater resistance to fraying and chipping with approximately 35% more impact strength than a standard phenolic wheel and 25% greater capacity. The Durastan laminated wheels are ideal where standard wheels are indicating premature wear.

### DH-High Temperature

High temperature compounds are available for applications up to 475°F continuously. Because of their special high heat compounds, these wheels are more brittle than standard Durastan wheels. Rough uneven floors should be avoided with these wheels.

## SPECIFICATIONS

Wheel Diameter	Wheel Width	lbs.Capacity	Axle Diameter	Straight Roller Bearing	Ball Bearing	Plain, Oilite, Celcon Bearing	Hub Length	Approx Wt.
3"	1-1/4"	400	5/16" 3/8" 1/2"		DUB-0312-05 DUB-0312-06	DUC-0312-05 DUC-0312-06 DUC-0312-08	1-15/32"	0.6
3"	1-1/2"	500	3/8" 1/2" 5/8" 3/4"	DUR-0315-06 DUR-0315-08 DUR-0315-10 DUR-0315-12		DUC-0315-06 DUC-0315-08 DUC-0315-10 DUC-0315-12	1-7/8"	0.9
3"	1-3/4"	400	1/2" 3/4"	DUR-0317-08 DUR-0317-12			1-15/16"	0.8
3-1/4"	1-1/2"	600	1/2" 5/8" 3/4"	DUR-3215-08 DUR-3215-10 DUR-3215-12		DUC-3215-08 DUC-3215-10 DUC-3215-12	1-7/8"	0.9
3-1/4"	2"	700	1/2" 5/8" 3/4"	DUR-3220-08 DUR-3220-10 DUR-3220-12		DUC-3220-08 DUC-3220-10 DUC-3220-12	2-7/16"	1.5
3-1/2"	1-1/4"	400	5/16" 3/8" 1/2"		DUB-3512-05 DUB-3512-06	DUC-3512-05 DUC-3512-06 DUC-3512-08	1-15/32"	0.9
4"	1-1/4"	400	5/16" 3/8" 1/2"		DUB-0412-05 DUB-0412-06	DUC-0412-05 DUC-0412-06 DUC-0412-08	1-15/32"	0.9

UP TO 8,000 POUND CAPACITY

100

For the most current information on our products, visit our website: [www.bandcip.com](http://www.bandcip.com)

# Durastan Phenolic Wheels

Wheel Diameter	Wheel Width	lbs. Capacity	Axle Diameter	Straight Roller Bearing	Ball Bearing	Plain, Oilite, Celcon Bearing	Hub Length	lbs. Approx. Wt.		
4"	1-1/2"	600	3/8"	DUR-0415-06	DUB-0415-06	DUC-0415-06	1-7/8"	1.0		
			1/2"	DUR-0415-08	DUB-0415-08	DUC-0415-08				
			5/8"	DUR-0415-10		DUC-0415-10				
			3/4"	DUR-0415-12		DUC-0415-12				
4"	2"	800	1/2"	DUR-0420-08		DUC-0420-08	2-7/16"	1.9		
			5/8"	DUR-0420-10		DUC-0420-10				
			3/4"	DUR-0420-12		DUC-0420-12				
5"	1-1/4"	400	5/16"		DUB-0512-05	DUC-0512-05	1-15/32"	1.4		
			3/8"		DUB-0512-06	DUC-0512-06				
			1/2"			DUC-0512-08				
5"	1-1/2"	650	3/8"	DUR-0515-06	DUB-0515-06	DUC-0515-06	1-7/8"	1.7		
			1/2"	DUR-0515-08	DUB-0515-08	DUC-0515-08				
			5/8"	DUR-0515-10		DUC-0515-10				
			3/4"	DUR-0515-12		DUC-0515-12				
5"	2"	1000	1/2"	DUR-0520-08		DUC-0520-08	2-7/16"	1.9		
			5/8"	DUR-0520-10		DUC-0520-10				
			3/4"	DUR-0520-12		DUC-0520-12				
6"	1-1/2"	800	3/8"	DUR-0615-06	DUB-0615-06	DUC-0615-06	1-7/8"	2.2		
			1/2"	DUR-0615-08	DUB-0615-08	DUC-0615-08				
			3/8"	DUR-0615-10		DUC-0615-10				
			3/4"	DUR-0615-12		DUC-0615-12				
6"	2"	1200	1/2"	DUR-0620-08	DUB-0620-08	DUC-0620-08	2-7/16"	3.5		
			5/8"	DUR-0620-10		DUC-0620-10				
			3/4"	DUR-0620-12	DUB-0620-12	DUC-0620-12				
6"	2-1/2"	1600	3/4"	DUR-0625-12-YY			3"	4.8		
			1"	DUR-0625-16-YY						
			1"	DUR-0625-16-YY-SI						
			1-1/4"	DUR-0625-20-YY			3-1/2"			
			3/4"	DUR-0625-12						
			1"	DUR-0625-16						
6"	3"	2000	1"	DUR-0625-16-SI			3-1/2"	5.1		
			1-1/4"	DUR-0625-20						
			3/4"	DUR-0630-12					3-1/2"	5.0
			1"	DUR-0630-16						
1"	DUR-0630-16-SI									
1-1/4"	DUR-0630-20									
8"	2"	1400	1/2"	DUR-0820-08	DUB-0820-08	DUC-0820-08	2-7/16"	4.4		
			5/8"	DUR-0820-10	DUB-0820-10	DUC-0820-10				
			3/4"	DUR-0820-12	DUB-0820-12	DUC-0820-12				
8"	2-1/2"	1800	3/4"	DUR-0825-12-YY			3"	5.4		
			1"	DUR-0825-16-YY						
			1"	DUR-0825-16-YY-SI						
		1-1/4"	DUR-0825-20-YY			3-1/2"				
		3/4"	DUR-0825-12							
		1"	DUR-0825-16							
8"	3"	2500	1"	DUR-0825-16-SI			3-1/2"	7.0		
			1-1/4"	DUR-0825-20						
			3/4"	DUR-0830-12					3-1/2"	7.6
			1"	DUR-0830-16						
1"	DUR-0830-16-SI									
1-1/4"	DUR-0830-20									
10"	2-1/2"	1800	3/4"	DUR-1025-12-YY			3"	8.2		
			1"	DUR-1025-16-YY						
			1"	DUR-1025-16-YY-SI						
		1-1/4"	DUR-1025-20-YY			3-1/2"				
		3/4"	DUR-1025-12							
		1"	DUR-1025-16							
10"	3"	2900	1"	DUR-1025-16-SI			3-1/2"	10.2		
			1-1/4"	DUR-1025-20						
			3/4"	DUR-1030-12					3-1/2"	10.2
			1"	DUR-1030-16						
1"	DUR-1030-16-SI									
1-1/4"	DUR-1030-20									
12"	2-1/2"	3000	3/4"	DUR-1225-12-YY			3"	12.0		
			1"	DUR-1225-16-YY						
			1"	DUR-1225-16-YY-SI						
			1-1/4"	DUR-1225-20-YY						
12"	3"	3500	3/4"	DUR-1230-12			3-1/2"	13.3		
			1"	DUR-1230-16						
			1"	DUR-1230-16-SI						
			1-1/4"	DUR-1230-20						
12"	3-1/2"	4000	1"	DUR-1235-16			4-1/2"	15.3		
			1-1/4"	DUR-1235-20						
12"	4"	4000	1-1/4"	DUR-1240-20			4-1/2"	26.25		
			1"	DUR-1630-16					4-1/2"	27.0
16"	3"	4000	1-1/4"	DUR-1630-20			4-1/2"	27.0		
			1"	DUR-1640-16					5-1/2"	35.0
16"	4"	8000	1-1/4"	DUR-1640-20			5-1/2"	35.0		
			1"	DUR-1830-16					3-1/2"	24.0
18"	3"	3500	1-1/4"	DUR-1830-20			3-1/2"	24.0		

UP TO 8,000 POUND CAPACITY

Tests have proven Polyolefin wheels to have superior resistance to water and chemicals, better abrasion resistance than hard rubber and a remarkable ability to withstand impact. They are designed for more applications than any other type of wheel.

## Features

**Wheel Bearing:** Choice of straight rollers, plain, cel-con or ball bearings.

**Temperature Range:** -20° to 230°F

**Hardness:** 65 to 70 Shore D Durometer



POR-0820-12

## Applications

Polyolefin wheels are an excellent low cost wheel. Polyolefin is a very durable plastic material and these wheels can be used in a wide range of applications including bakeries, meat processing and packaging, dairies, food processing, laundries, supermarkets, offices, warehousing and manufacturing.

Most sizes of polyolefin wheels have a slightly crowned tread offering excellent rollability and maneuverability. Various sizes, bores and bearings are available for our polyolefin wheels. Our standard color is black, but it can be ordered in white.

## Options

- WS** Wheel Seals
- TG** Thread Guard
- ZF** Zerk Fitting



# Polyolefin Wheels

## SPECIFICATIONS

Wheel Diameter	Wheel Width	lbs. Capacity	Axle Diameter	Straight Roller Bearing	Ball Bearing	Plain, Oilite, Celcon Bearing	Hub Length	lbs. Approx Weight
3"	1-1/4"	250	5/16"		POB-0312-05	POP-0312-05	1-1/2"	0.5
			5/16"			POC-0312-05		
			3/8"		POB-0312-06	POP-0312-06		
			3/8"			POC-0312-06		
3-1/2"	1-1/4"	275	5/16"		POB-3512-05	POP-3512-05	1-1/2"	0.5
			3/8"			POC-3512-05		
			3/8"		POB-3512-06	POP-3512-06		
			3/8"			POC-3512-06		
4"	1-1/4"	300	5/16"		POB-0412-05	POP-0412-05	1-1/2"	0.5
			5/16"			POC-0412-05		
			3/8"		POB-0412-06	POP-0412-06		
			3/8"			POC-0412-06		
4"	1-1/2"	375	3/8"	POR-0415-06		POP-0415-06	1-7/8"	0.7
			3/8"			POC-0415-06		
			1/2"	POR-0415-08	POB-0415-08	POP-0415-08		
			1/2"			POC-0415-08		
			5/8"	POR-0415-10		POP-0415-10		
			5/8"			POC-0415-10		
4"	2"	500	1/2"	POR-0420-08	POB-0420-08	POP-0420-08	2-7/16"	1.0
			1/2"			POC-0420-08		
			5/8"	POR-0420-10		POP-0420-10		
			5/8"			POC-0420-10		
4"	2"	500	5/8"	POR-0420-10		POP-0420-10	2-7/16"	1.0
			5/8"			POC-0420-10		
			3/4"	POR-0420-12		POP-0420-12		
			3/4"			POC-0420-12		
5"	1-1/4"	300	5/16"		POB-0512-05	POP-0512-05	1-1/2"	0.6
			5/16"			POC-0512-05		
			3/8"		POB-0512-06	POP-0512-06		
			3/8"			POC-0512-06		
5"	1-1/2"	440	1/2"			POP-0512-08	1-7/8"	0.7
			1/2"			POC-0512-08		
			5/8"	POR-0515-10		POP-0515-10		
			5/8"			POC-0515-10		
			3/4"	POR-0515-12		POP-0515-12		
			3/4"			POC-0515-12		
5"	2"	650	1/2"	POR-0520-08	POB-0520-08	POP-0520-08	2-7/16"	1.1
			1/2"			POC-0520-08		
			5/8"	POR-0520-10		POP-0520-10		
			5/8"			POC-0520-10		
5"	2"	650	3/4"	POR-0520-12		POP-0520-12	2-7/16"	1.1
			3/4"			POC-0520-12		
			1/2"	POR-0620-08	POB-0620-08	POP-0620-08		
			1/2"			POC-0620-08		
6"	2"	700	5/8"	POR-0620-10		POP-0620-10	2-7/16"	1.3
			5/8"			POC-0620-10		
			3/4"	POR-0620-12		POP-0620-12		
			3/4"			POC-0620-12		
8"	2"	800	1/2"	POR-0820-08	POB-0820-08	POP-0820-08	2-7/16"	2.1
			1/2"			POC-0820-08		
			5/8"	POR-0820-10		POP-0820-10		
			5/8"			POC-0820-10		
8"	2"	800	3/4"	POR-0820-12		POP-0820-12	2-7/16"	2.1
			3/4"			POC-0820-12		

UP TO 800 POUND CAPACITY



The Performance TPR (Thermal Plastic Rubber or TPE for Thermal Plastic Elastomer) Wheel is specially engineered to provide unsurpassed durability and reliability. This premium wheel combines the durability of a hard tread wheel with the quiet floor protection of a soft tread wheel. They are made of a thermoplastic elastomer which is permanently bonded to a polypropylene core and will not mark floors. The Performance TPR wheel is resistant to chemicals, acids, bases, alcohols, salts and steam. The Performance TPR Wheel tread material can be made to various durometers.

## Features

**Wheel Bearing:** Choice of straight roller bearing, celcon and annular ball bearing

**Temperature Range:** -45° to 120°F continuous; 180°F intermittent

**Bores:** Various sizes available on some wheels

**Hardness:** 65 to 70+/-5 Shore A Durometer

**Capacity:** 600 lbs.

## Applications

This attractive wheel accommodates a large number of industries and a limitless number of applications. They are smooth and quiet, absorb shock and have superior impact resistance. These wheels resist flat spotting, acids and make equipment easier to handle. Performance Wheels are extremely resilient and easily rolls over debris and uneven surfaces. They are very popular in institutional, food service, retail display, hospitals, schools, restaurants and all types of industrial and manufacturing environments including factories, warehouses and shop floors. Performance wheels are available in both flat and round treads.

## Options

- TG** Thread Guards
- WS** Wheel Seals (roller bearing only)
- ZF** Zerk Fitting

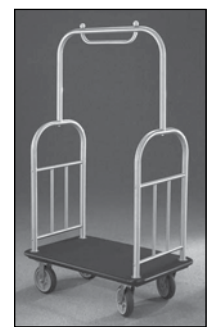


RPR-0820-19



RPR-0821-19

**The Performance Wheel** is available with a flat tread to provide maximum load surface or round tread to provided easy turning. Round tread is only available on the 6" x 2" and 8" x 2" wheels.

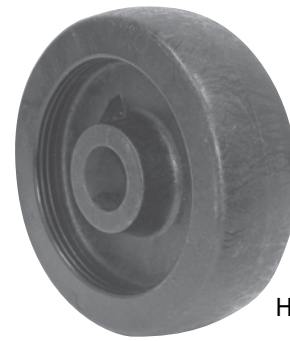


# Performance TPR Wheels

SPECIFICATIONS								
Wheel Diameter	Wheel Width	lbs. Capacity	Axle Diameter	Straight Roller Bearing	Ball Bearing	Plain, Oilite, Celcon Bearing	Hub Length	Approx Weight
<b>FLAT TREAD</b>								
3"	1-1/4"	190	3/8"		RPB-0312-06	RPC-0312-06	1-1/2"	0.22
3-1/2"	1-1/4"	200	3/8"		RPB-3512-06	RPC-3512-06	1-1/2"	0.29
4"	1-1/4"	275	3/8"		RPB-0412-06	RPC-0412-06	1-1/2"	0.34
4"	1-1/2"	325	1/2"	RPR-0415-08	RPB-0415-08	RPC-0415-08	1-7/8"	0.60
			5/8"	RPR-0415-10		RPC-0415-10		
			3/4"	RPR-0415-12		RPC-0415-12		
4"	2"	350	1/2"	RPR-0420-08	RPB-0420-08	RPC-0420-08	2-7/16"	0.66
			5/8"	RPR-0420-10		RPC-0420-10		
			3/4"	RPR-0420-12		RPC-0420-12		
5"	1-1/4"	300	3/8"		RPB-0512-06	RPC-0512-06	1-1/2"	0.52
5"	1-1/2"	350	1/2"	RPR-0515-08	RPB-0515-08	RPC-0515-08	1-7/8"	0.85
			5/8"	RPR-0515-10		RPC-0515-10		
			3/4"	RPR-0515-12		RPC-0515-12		
5"	2"	375	1/2"	RPR-0520-08	RPB-0520-08	RPC-0520-08	2-7/16"	0.96
			5/8"	RPR-0520-10		RPC-0520-10		
			3/4"	RPR-0520-12		RPC-0520-12		
6"	1-1/2"	475	1/2"	RPR-0615-08	RPB-0615-08	RPC-0615-08	1-7/8"	1.85
			5/8"	RPR-0615-10		RPC-0615-10		
			3/4"	RPR-0615-12		RPC-0615-12		
6"	2"	525	1/2"	RPR-0620-08	RPB-0620-08	RPC-0620-08	2-7/16"	1.38
			5/8"	RPR-0620-10		RPC-0620-10		
			3/4"	RPR-0620-12		RPC-0620-12		
8"	2"	600	1/2"	RPR-0820-08	RPB-0820-08	RPC-0820-08	2-7/16"	2.02
			5/8"	RPR-0820-10		RPC-0820-10		
			3/4"	RPR-0820-12		RPC-0820-12		
<b>ROUND TREAD</b>								
6"	2"	525	1/2"	RPR-0621-08	RPB-0621-08	RPC-0621-08	2-7/16"	1.38
			5/8"	RPR-0621-10		RPC-0621-10		
			3/4"	RPR-0621-12		RPC-0621-12		
8"	2"	600	1/2"	RPR-0821-08	RPB-0821-08	RPC-0821-08	2-7/16"	2.02
			5/8"	RPR-0821-10		RPC-0821-10		
			3/4"	RPR-0821-12		RPC-0821-12		

UP TO 600 POUND CAPACITY

High Temperature Glass Filled Nylon wheels can be used continuously at 350°F and intermittently up to 550°F. They are molded from reinforced nylon designed specifically to withstand high temperatures and have excellent wear resistance. High Temperature Nylon wheels are capable of high load capacities and have excellent impact resistance at room temperature.



HNR-0620-19

## Applications

These high temp nylon wheels are highly resistant to water, cooking oils, fats, petroleum based products, common cleaning solutions, solvents, acids and salt. They will outlast and outperform all other high temperature wheels and can be used in bakeries, smokehouses, curing ovens, autoclaves, mobile powder coating racks and other high temperature applications.

## Features

**Wheel Bearing:** Choice of straight roller or plain bore

**Temperature Range:** -40° to 550°F

**Hardness:** 85 durometer Shore D

### SPECIFICATIONS

Wheel Diameter	Wheel Width	lbs.Capacity	Axle Diameter	Straight Roller Bearing	Plain, Oilite, Celcon Bearing	Hub Length	Approx Weight lbs.
3"	1-1/4"	300	3/8"		HNP-0312-06	1-1/2"	0.7
4"	1-1/4"	300	3/8"		HNP-0412-06	1-1/2"	0.9
4"	1-1/2"	700	1/2"		HNP-0415-08	1-7/8"	1.1
4"	2"	800	1/2"	HNR-0420-08		2-7/16"	1.9
			5/8"	HNR-0420-10			
			3/4"	HNR-0420-12			
5"	1-1/4"	350	3/8"		HNP-0512-06	1-1/2"	1.4
5"	2"	1000	1/2"	HNR-0520-08		2-7/16"	2.2
			5/8"	HNR-0520-10			
			3/4"	HNR-0520-12			
6"	2"	1200	1/2"	HNR-0620-08		2-7/16"	3.5
			5/8"	HNR-0620-10			
			3/4"	HNR-0620-12			

UP TO 1,200 POUND CAPACITY

# Pinnacle Thermoplastic Wheels

PN Wheels

RWM's Pinnacle Wheel is an ultra-tough thermoplastic non-marking wheel. It is extremely durable, deflects floor debris and has high impact resistance. Pinnacle Glass Filled Nylon Wheels roll easily and are able to handle high load capacities requiring far less force to roll than other hard tread wheels. This economical wheel is extremely resistant to water, most chemicals, solvents, salts and steam cleaning. Pinnacle Nylon Wheels are available with roller bearings, oilite, celcon or plain bores and are standard black in color.



## Applications

The RWM Pinnacle Wheels are ideal for:

- ◆ platform carts
- ◆ material handling carts
- ◆ warehouse & factory applications
- ◆ food service
- ◆ drywall carts

## Features

**Wheel Bearing:** Choice of straight roller or celcon  
**Temperature Range:** -40° to +350°F  
**Hardness:** 85 D Shore Durometer

### SPECIFICATIONS

Wheel Diameter	Wheel Width	Ibs.Capacity	Axle Diameter	Straight Roller Bearing	Plain, Oilite, Celcon Bearing	Hub Length	Approx Weight
4"	2"	800	1/2"	PNR-0420-08	PNC-0420-08	2-7/16"	1.06
			5/8"	PNR-0420-10	PNC-0420-10		
			3/4"	PNR-0420-12	PNC-0420-12		
5"	2"	1000	1/2"	PNR-0520-08	PNC-0520-08	2-7/16"	1.27
			5/8"	PNR-0520-10	PNC-0520-10		
			3/4"	PNR-0520-12	PNC-0520-12		
6"	2"	1200	1/2"	PNR-0620-08	PNC-0620-08	2-7/16"	1.54
			5/8"	PNR-0620-10	PNC-0620-10		
			3/4"	PNR-0620-12	PNC-0620-12		
8"	2"	1400	1/2"	PNR-0820-08	PNC-0820-08	2-7/16"	2.10
			5/8"	PNR-0820-10	PNC-0820-10		
			3/4"	PNR-0820-12	PNC-0820-12		

UP TO 1,400 POUND CAPACITY

RWM Caster's GT Solid Elastomer Wheels are high performance wheels made from a tough blend of elastomers with the advanced wheel design to carry heavy loads without component breakdown. These industrial wheels will resist most chemicals in industrial and institutional environments.

The GT wheel will perform continuously for extended periods on all surfaces and under all conditions. This wheel provides excellent rollability with minimum effort. It will absorb impacts without damage that would shatter other wheels. The GT will perform under the most extreme temperatures almost entirely maintenance free, and will roll mile after mile with virtually no tread wear.

### The GT Wheel advanced wheel design:

- ◆ carries immense loads without component breakdown
- ◆ moves smoothly and accurately with an absolute minimum pounds of force required to initiate and sustain momentum
- ◆ resists chemical onslaughts from nearly every source
- ◆ performs continuously for very extended periods on all surfaces and under all conditions
- ◆ absorbs impacts without damage that would shatter other wheels
- ◆ continues to perform under the most extreme temperatures
- ◆ rolls mile after mile with virtually no tread wear
- ◆ performs almost entirely maintenance free
- ◆ will not flat spot
- ◆ non-marking
- ◆ one piece construction

### Applications

- ◆ automotive
- ◆ foodservice
- ◆ freezers
- ◆ continuous use applications
- ◆ tow line applications

### Increased Capacity

The GT Wheel's premium blend of high strength/high performance elastomers, plus its state-of-the-art wheel architecture combine to provide 5%-15% more capacity than any other solid elastomer wheel available on the market.

### Chemical Resistance

The GT Wheel is immune to practically every chemical currently in use in industrial/institutional environments.



GTB-0820-12

### Options

- TG** Thread Guard on 1-1/2" and 2" wheels
- YY** Shorter Hub Length

### Features

- Wheel Bearing:** Sealed precision ball bearing
- Temperature Range:** -40°F to +275°F
- Bores:** 1-1/2" and 2" wide wheels are 1/2" bore, 2-1/2" and 3" wide wheels are 3/4" and 1" bore
- Hardness:** 75 durometer Shore D

### Improved Rollability

Probably the most important aspect of day-to-day wheel usage is rollability. In tests involving rolling effort for two swivel casters carrying a load of 1150 pounds per caster, the GT Wheel was matched against competition in straight line pulling effort: 90 degrees to the direction of travel and 180 degrees to the direction of travel. Both wheels were elastomer, were equipped with precision ball bearings and were mounted into identical caster frames. The results of the tests as measured by a computer using a load cell clearly indicate that the GT Wheel provides momentum and maneuverability at half the effort - see the chart below:

Pounds of Effort to Initiate Movement				
Wheel	Load Pounds	Straight Line	90 Degree Start	180 Degree Start
RWM GT Wheel	1150	9	14	21
Competitor	1150	17	34	27

UP TO 3,400 POUND CAPACITY

## SPECIFICATIONS

Wheel Diameter	Wheel Width	lbs. Capacity	Axle Diameter	Sealed Precision Ball Bearing	Hub Length	Approx Weight
4"	1-1/2"	900	1/2"	GTB-0415-08	1-7/8"	1.0
4"	2"	1050	1/2"	GTB-0420-08	2-7/16"	1.5
5"	1-1/2"	1000	1/2"	GTB-0515-08	1-7/8"	1.4
5"	2"	1200	1/2"	GTB-0520-08	2-7/16"	2.0
6"	1-1/2"	1200	1/2"	GTB-0615-08	1-7/8"	1.8
6"	2"	1500	1/2"	GTB-0620-08	2-7/16"	2.8
6"	2-1/2"	2300	3/4"	GTB-0625-12	3-1/2"	4.8
			1"	GTB-0625-16		
			3/4"	GTB-0625-12-YY	3"	4.8
			1"	GTB-0625-16-YY		
8"	2"	1800	1/2"	GTB-0820-08	2-7/16"	4.4
8"	2-1/2"	2400	3/4"	GTB-0825-12	3-1/2"	5.4
			1"	GTB-0825-16		
			3/4"	GTB-0825-12-YY	3"	5.4
			1"	GTB-0825-16-YY		
10"	3"	3400	3/4"	GTB-1030-12	3-1/2"	10.0
			1"	GTB-1030-16		

### Superior Endurance

RWM engineers subjected the GT Wheel to a battery of exhaustive tests on both smooth and rough surfaces, as well as on a metal obstacle testing machine designed to simulate the most challenging workplace conditions. Here are the results of those tests:

- ◆ In continuous rolling tests - at a maximum capacity, and at three miles per hour - the GT Wheel outperformed competitors by a four-to-one ratio, rolling on and on while competitors' wheels literally melted.
- ◆ The same four-to-one ratio also applied to obstacle test, proving conclusively that the GT Wheel is not only the most maneuverable wheel on the market, but also the most durable wheel on the market.

### Reduced Tread Wear

Following the grueling endurance test described above, and after many miles of continuous rolling under the most challenging conditions, a diameter measurement of the GT Wheel showed a minuscule wear factor of less than .007" or practically no wear at all.

### Extended Temperature Performance

Most wheels melt or shatter at temperature extremes - but the GT Wheel provides sustained performance at temperatures ranging from -40 degrees F to +275 degrees F.

### Impact Resistance

The GT wheel's unique combination of chemical composition and wheel design equipped to withstand vastly greater impacts than other wheels. While phenolic, hard rubber, cast iron, and thermoplastic constructions shatter, the GT Wheel rolls on effortlessly.

### Ease of Maintenance

The GT Wheel's one-piece design and sealed, precision ball bearing combine with a tremendous ability to resist the effects of water and chemicals to make it literally maintenance free.

The GT Wheel offers you the finest in-shop industrial and institutional transportation capabilities available anywhere! In addition to its many other applications, the GT Wheel's ability to handle extremely heavy loads, to traverse both smooth and rough floors, and to sustain heavy impact without damage make it ideal for manual moving of equipment as well as for use in tow line applications.

UP TO 3,400 POUND CAPACITY

### Non-Marking EHT Rubber on Nylon

The RWM Signature™ Premium Wheel has a lightweight, reinforced nylon core with a high strength non-marking elastomeric rubber tread. The round tread provides easy rolling. Our durable nylon core is six times stronger than polypropylene. The performance rubber tread is cut, tear and corrosion resistant and will not chunk out. It has the highest strength-to-weight ratio than any other wheel in the industry. The Signature™ Premium Wheel is excellent for floor protection, continuous towing and noise reduction.



SWB-0820-08

## Applications

The RWM Signature™ Premium Wheel is ideal for:

- ◆ platform trucks
- ◆ material handling carts
- ◆ warehouse & factory applications
- ◆ food service
- ◆ drywall carts
- ◆ assembly line dollies



SWB-0412-06

## Features



- Wheel Bearing:** Choice of straight roller or precision ball bearing
- Temperature Range:** -40° to 200°F
- Hardness:** 70 Shore A
- Bores:** 1.190"

UP TO 700 POUND CAPACITY

### SPECIFICATIONS

Wheel Diameter	Wheel Width	lbs. Capacity	Axle Diameter	Straight Roller Bearing	Sealed Precision Ball Bearing	Hub Length	Approx Weight
3.5"	1.25"	225	3/8"		SWB-3512-06	1-5/8"	.6
4"	1.25"	250	3/8"		SWB-0412-06	1-5/8"	.7
4"	2"	400	1/2"	SWR-0420-08	SWB-0420-08	2-7/16"	1.3
5"	1.25"	250	3/8"		SWB-0512-06	1-5/8"	1
5"	2"	500	1/2"	SWR-0520-08	SWB-0520-08	2-7/16"	1.5
6"	1.25"	300	3/8"		SWB-0612-06	1-5/8"	1.5
6"	2"	600	1/2"	SWR-0620-08	SWB-0620-08	2-7/16"	2.0
8"	2"	700	1/2"	SWR-0820-08	SWB-0820-08	2-7/16"	2.8

*Non-Marking EHT Rubber on Nylon*

The RWM Signature™ Premium Wheel has a light-weight, reinforced offset nylon core with a high strength non-marking elastomeric rubber tread. The round tread provides easy rolling. Our durable nylon core is six times stronger than polypropylene. The performance rubber tread is cut, tear and corrosion resistant and will not chunk out. It has the highest strength-to-weight ratio than any other wheel in the industry and provides excellent floor protection and noise reduction.



SW2

**Applications**

The RWM Hand Truck Signature™ Premium Wheel is ideal for:

- ◆ two wheelers
- ◆ convertibles
- ◆ all material handling carts

**Features**

**Wheel Bearing:** Precision flanged ball bearing  
**Temperature Range:** -40° to 200°F  
**Hardness:** 70 Shore A

**The SW1 and SW2 wheels are for hand trucks only.**

SPECIFICATIONS						
Wheel Diameter	Wheel Width	Capacity	Axle Diameter	Sealed Precision Ball Bearing	Hub Length	Approx Weight lbs.
8"	2"	600*	5/8"	SW1	2"	2.30
10"	2"	800*	5/8"	SW2	2.5"	3.00

\*Wheel capacity ratings do not reflect hand truck ratings.



UP TO 800 POUND CAPACITY



## Non-Marking EHT on Aluminum

RWM Elastomeric High Tensile Rubber Wheels are incredible molded rubber wheels. The high quality high tensile premium rubber is bonded to a heavy-duty solid web aluminum core that provides superior strength. These wheels are rated at 200% more than normal molded rubber wheels. This rubber wheel will not crack, chunk, dry out or debond. These elastomeric high tensile rubber wheels are excellent for towing applications in both indoor or outdoor environments. The special compound will not mark your floors. These rubber wheels can be used at higher rated towing speeds than other wheels. Please contact the factory for additional information.



RAB-0820-08-EHT-NM

## Features

**Hardness:** 70-75 Shore A Durometer

## Applications

RWM Elastomeric High Tensile Rubber Wheels provide excellent floor protection, are quiet and roll easily over debris. They will not mark floors. They are an excellent caster for large assembly plants, freight terminals, automotive plants, and continuous use operations.

### SPECIFICATIONS

Wheel Diameter	Wheel Width	lbs. Capacity	Axle Diameter	Sealed Precision Ball Bearing	Tapered Roller Bearing	Hub Length	Approx Weight
4"	2"	700	1/2"	RAB-0420-08-EHT-NM		2-1/2"	1.6
			5/8"				
5"	2"	800	1/2"	RAB-0520-08-EHT-NM		2-1/2"	2.0
			5/8"				
6"	2"	820	1/2"	RAB-0620-08-EHT-NM		2-1/2"	2.7
			5/8"				
8"	2"	1000	1/2"	RAB-0820-08-EHT-NM		2-1/2"	3.7
			5/8"				
10"	3"	2000	3/4"	RAB-1030-12-EHT-NM	RAT-1030-12-EHT-NM	3-1/2"	10.0
			1"	RAB-1030-16-EHT-NM	RAT-1030-16-EHT-NM		
12"	3"	2280	3/4"	RAB-1230-12-EHT-NM	RAT-1230-12-EHT-NM	3-1/2"	14.5
			1"	RAB-1230-16-EHT-NM	RAT-1230-16-EHT-NM		
			1-1/4"		RAT-1230-20-EHT-NM		

UP TO 2,280 POUND CAPACITY

## EHT on Iron

RWM Elastomeric High Tensile Rubber Wheels are incredible molded rubber wheels. The solid core provides superior strength and the rubber does not chunk out. These rubber wheels perform well at 200% of normal molded rubber capacity and are excellent for towing applications. These elastomeric high tensile rubber wheels may mark floors. These lighter rubber wheels reduce the weight of carts and increase amount of loads that carts can carry. RWM Elastomeric High Tensile Rubber Wheels may be the best all purpose towing wheel in the industry.



RIR-0830-31-EHT

## Features

**Hardness:** 70 - 75 Shore A Durometer

## Applications

RWM Elastomeric High Tensile Rubber Wheels may be the best all purpose towing wheel available in the industry.

### SPECIFICATIONS

Wheel Diameter	Wheel Width	lbs. Capacity	Axle Diameter	Straight Roller Bearing	Tapered Roller Bearing	Hub Length	lbs. Approx Weight
6"	2-1/2"	1080	3/4"	RIR-0625-12-EHT-SI	RIT-0625-12-EHT	3-1/2"	10.0
			1"	RIR-0625-16-EHT	RIT-0625-16-EHT		
			1"	RIR-0625-16-EHT-SI			
			1-1/4"	RIR-0625-20-EHT			
6"	3"	1360	3/4"	RIR-0630-12-EHT-SI	RIT-0630-12-EHT	3-1/2"	11.2
			1"	RIR-0630-16-EHT	RIT-0630-16-EHT		
			1"	RIR-0630-16-EHT-SI			
			1-1/4"	RIR-0630-20-EHT			
8"	2-1/2"	1340	3/4"	RIR-0825-12-EHT-SI	RIT-0825-12-EHT	3-1/2"	11.5
			1"	RIR-0825-16-EHT	RIT-0825-16-EHT		
			1"	RIR-0825-16-EHT-SI			
			1-1/4"	RIR-0825-20-EHT			
8"	3"	1680	3/4"	RIR-0830-12-EHT-SI	RIT-0830-12-EHT	3-1/2"	13.0
			1"	RIR-0830-16-EHT-SI			
			1"	RIR-0830-16-EHT	RIT-0830-16-EHT		
			1-1/4"	RIR-0830-20-EHT			
10"	2-1/2"	1580	3/4"	RIR-1025-12-EHT-SI	RIT-1025-12-EHT	3-1/2"	13.0
			1"	RIR-1025-16-EHT	RIT-1025-16-EHT		
			1"	RIR-1025-16-EHT-SI			
			1-1/4"	RIR-1025-20-EHT			
10"	3"	2000	3/4"	RIR-1030-12-EHT-SI	RIT-1030-12-EHT	3-1/2"	15.0
			1"	RIR-1030-16-EHT	RIT-1030-16-EHT		
			1"	RIR-1030-16-EHT-SI			
			1-1/4"	RIR-1030-20-EHT			
12"	3"	2280	3/4"	RIR-1230-12-EHT-SI	RIT-1230-12-EHT	3-1/2"	21.0
			1"	RIR-1230-16-EHT	RIT-1230-16-EHT		
			1"	RIR-1230-16-EHT-SI			
			1-1/4"	RIR-1230-20-EHT			

UP TO 2,280 POUND CAPACITY

**SI:** Spanner Included

# Mold-On Rubber Wheels

RWM rubber tread wheels are constructed by molding high quality rubber to cast iron cores. All RWM mold-on rubber wheels are floor protective, provide long tread life, are quiet in operation and are highly resilient. These wheels are suggested for use on all types of floors and numerous applications. The standard RWM mold-on rubber tread is 75 durometer Shore A.

## Features

**Wheel Bearing:** Choice of straight roller or tapered roller bearing

**Temperature Range:** -40°F to 160°F

**Lubrication Fittings:** Standard on 2-1/2" and wider wheels

**Hardness:** 75 Shore A Durometer

**Hub Lengths:** Can be shortened or lengthened to order

**Keyways:** Can be supplied on most sizes

**Bore Sizes:** Some can be altered

## Applications

Mold-On Rubber Wheels are popular and used in principally inexpensive applications such as trash containers, platform trucks, lumber carts and many manually pushed low cost applications. These wheels should be replaced as soon as they start to crack, chunk or tear apart. They do not handle overloading or towing. Although economical, the RWM Mold-On Rubber Wheel utilizes a higher-grade rubber tread material that significantly outperforms wheels produced by other manufacturers.



RIR-0830-16



RIR-0820-08

**SI:** Spanner Included  
**YY:** Shorter Hub Length









## SPECIFICATIONS

Wheel Diameter	Wheel Width	Capacity lbs.	Axle Diameter	Straight Roller Bearing	Tapered Roller Bearing	Hub Length	Approx Weight
4"	1-1/2"	250	1/2"	RIR-0415-08		1-7/8"	1.2
			5/8"	RIR-0415-10			
			3/4"	RIR-0415-12			
4"	2"	350	1/2"	RIR-0420-08		2-7/16"	3.1
			5/8"	RIR-0420-10			
			3/4"	RIR-0420-12			
5"	1-1/2"	300	1/2"	RIR-0515-08		1-7/8"	2.0
			5/8"	RIR-0515-10			
			3/4"	RIR-0515-12			
5"	2"	400	1/2"	RIR-0520-08		2-7/16"	3.5
			5/8"	RIR-0520-10			
			3/4"	RIR-0520-12			
6"	1-1/2"	370	1/2"	RIR-0615-08		1-7/8"	2.3
			5/8"	RIR-0615-10			
			3/4"	RIR-0615-12			
6"	2"	410	1/2"	RIR-0620-08		2-7/16"	4.1
			5/8"	RIR-0620-10			
			3/4"	RIR-0620-12			
6"	2-1/2"	540	3/4"	RIR-0625-12-YY		3"	7.8
			1"	RIR-0625-16-YY			
			1"	RIR-0625-16-YY-SI			
			1-1/4"	RIR-0625-20-YY		3-1/2"	10.0
			3/4"	RIR-0625-12			
			1"	RIR-0625-16			
			1"	RIR-0625-16-SI			
1-1/4"	RIR-0625-20						

UP TO 2,800 POUND CAPACITY

# Mold-On Rubber Wheels

## SPECIFICATIONS

 Wheel Diameter	 Wheel Width	 Capacity lbs.	 Axle Diameter	 Straight Roller Bearing	 Tapered Roller Bearing	 Hub Length	 Approx. Weight
6"	3"	680	3/4"	RIR-0630-12		3-1/2"	11.2
			1"	RIR-0630-16			
			1"	RIR-0630-16-SI			
			1-1/4"	RIR-0630-20			
8"	2"	500	1/2"	RIR-0820-08		2-7/16"	6.3
			5/8"	RIR-0820-10			
			3/4"	RIR-0820-12			
8"	2-1/2"	670	3/4"	RIR-0825-12-YY		3"	11.1
			1"	RIR-0825-16-YY			
			1"	RIR-0825-16-YY-SI			
			1-1/4"	RIR-0825-20-YY			
			3/4"	RIR-0825-12		3-1/2"	11.5
			1"	RIR-0825-16			
			1-1/4"	RIR-0825-20			
8"	3"	840	3/4"	RIR-0830-12		3-1/2"	13.0
			1"	RIR-0830-16			
			1"	RIR-0830-16-SI			
			1-1/4"	RIR-0830-20			
10"	2-1/2"	790	3/4"	RIR-1025-12-YY	RIT-1025-12-YY	3"	13.0
			1"	RIR-1025-16-YY	RIT-1025-16-YY		
			1"	RIR-1025-16-YY-SI			
			1-1/4"	RIR-1025-20-YY		3-1/2"	
			3/4"	RIR-1025-12	RIT-1025-12		
			1"	RIR-1025-16	RIT-1025-16		
			1"	RIR-1025-16-SI			
1-1/4"	RIR-1025-20						
10"	3"	1000	3/4"	RIR-1030-12	RIT-1030-12	3-1/2"	15.0
			1"	RIR-1030-16	RIT-1030-16		
			1"	RIR-1030-16-SI			
			1-1/4"	RIR-1030-20			
10"	4"	1400	3/4"	RIR-1040-12	RIT-1040-12	4-1/2"	30.0
			1"	RIR-1040-16-SI	RIT-1040-16		
			1-1/4"	RIR-1040-20	RIT-1040-20		
			1-1/4"	RIR-1040-20-SI			
			1-1/2"	RIR-1040-24	RIT-1040-24		
11"	5"	1760	1-1/4"	RIR-1150-20	RIT-1150-20	5-1/2"	42.0
12"	2-1/2"	900	3/4"	RIR-1225-12-YY	RIT-1225-12-YY	3"	16.0
			1"	RIR-1225-16-YY	RIT-1225-16-YY		
			1"	RIR-1225-16-SI-YY			
			1 1/4"	RIR-1225-20-YY			
12"	3"	1140	3/4"	RIR-1230-12	RIT-1230-12	3-1/2"	21.0
			1"	RIR-1230-16	RIT-1230-16		
			1"	RIR-1230-16-SI			
			1-1/4"	RIR-1230-20			
12"	4"	1600	1"	RIR-1240-16-SI	RIT-1240-16	4-1/2"	26.0
			1-1/4"	RIR-1240-20	RIT-1240-20		
			1-1/4"	RIR-1240-20-SI			
			1-1/2"	RIR-1240-24	RIT-1240-24		
12"	5"	2050	1-1/4"	RIR-1250-20	RIT-1250-20	5-1/2"	40.0
16"	3"	1420	3/4"	RIR-1630-12	RIT-1630-12	3-1/2"	32.0
			1"	RIR-1630-16	RIT-1630-16		
			1"	RIR-1630-16-SI			
			1-1/4"	RIR-1630-20			
18"	3"	1580	3/4"	RIR-1830-12	RIT-1830-12	3-1/2"	42.0
			1"	RIR-1830-16	RIT-1830-16		
			1"	RIR-1830-16-SI			
			1-1/4"	RIR-1830-20			
18"	5"	2800	1-1/4"	RIR-1850-20	RIT-1850-20	5-1/2"	50.0
			1-1/2"	RIR-1850-24	RIT-1850-24		

UP TO 2,800 POUND CAPACITY

RWM Soft Rubber wheels are manufactured of quality materials with a resilient rubber tread bonded to the hard rubber core. These wheels are an economical choice for moving equipment.



SRO-3512-06

## Applications

RWM Soft Rubber Wheels are a good choice for those applications where the average load is light with occasional loads using the full capacity of the wheel. Soft Rubber Wheels offer floor protection but can leave black marks on floors.

Soft Rubber Wheels wear on rough surfaces and can become brittle if left outdoors, exposed to the elements. Economical in smaller sizes, soft rubber wheels become more expensive in larger sizes, especially when premium rubber material is used.

## Options

- DC** Dust Cover
- TG** Thread Guards
- WS** Wheel Seals
- SI** Spanner Included

## Features

- Wheel Bearing:** Choice of straight roller bearing or oilite bearings
- Temperature Range:** -40°F to 120°F
- Durometer:** 70-75D

### SPECIFICATIONS

Wheel Diameter	Wheel Width	Capacity lbs.	Axle Diameter	Plain, Oilite, Celcon Bearing	Hub Length	Approx Weight lbs.
2-1/2"	1-1/10"	90	3/8"	SRO-2511-06	1-15/32"	0.5
3"	1-1/4"	250	5/16"	SRO-0312-05-SI	1-1/2"	0.8
			3/8"	SRO-0312-06		
3-1/2"	1-1/4"	250	5/16"	SRO-3512-05	1-1/2"	1.0
			3/8"	SRO-3512-06		
4"	1-1/4"	260	5/16"	SRO-0412-05	1-1/2"	1.2
			3/8"	SRO-0412-06		
5"	1-1/4"	280	5/16"	SRO-0512-05	1-1/2"	1.7
			3/8"	SRO-0512-06		

UP TO 280 POUND CAPACITY

Hard Rubber wheels offer good floor protection, are more quiet than steel wheels, and are strong and chip resistant. These wheels have a center line located in the middle of the tread. This center line, even when removed as close as possible, can cause damage to soft inexpensive floors. Hard Rubber Wheels can become brittle over time, and more so when exposed to outdoor elements. Hard Rubber Wheels can crack when dropped from limited heights or subjected to impact or shock.



HRO-3512-06

## Applications

RWM Hard Rubber Wheels are used where low cost, easy rolling wheels are required.

## Options

- DC** Dust Cover
- SI** Spanner Included

## Features

**Wheel Bearing:** Oilite bearings  
**Temperature Range:** -30°F to 160°F  
**Durometer:** 80-85D

### SPECIFICATIONS

Wheel Diameter	Wheel Width	lbs.Capacity	Axle Diameter	Plain, Oilite, Celcon Bearing	Sealed Precision Ball Bearing	Hub Length	Approx Weight lbs.
2"	1"	175	5/16"		HRB-0210-05	1-1/2"	.03
2-1/2"	1-1/10"	100	3/8"	HRO-2511-06		1-15/32"	.05
3"	1-1/4"	150	5/16"	HRO-0312-05-SI		1-1/2"	0.7
			3/8"	HRO-0312-06			
3-1/2"	1-1/4"	150	5/16"	HRO-3512-05		1-1/2"	0.8
			3/8"	HRO-3512-06			
4"	1-1/4"	180	5/16"	HRO-0412-05		1-1/2"	1.1
			3/8"	HRO-0412-06			
4"	1-1/2"	200	1/2"	HRO-0415-08		1-7/8"	1.3
			5/8"	HRO-0415-10			
			3/4"				
5"	1-1/4"	200	5/16"	HRO-0512-05		1-1/2"	1.6
			3/8"	HRO-0512-06			

UP TO 200 POUND CAPACITY

RWM Pneumatic Wheels provide smooth, shock-resistant operation for delicate instruments and breakable components. Pneumatic wheels are suggested for indoor and outdoor use where product protection is required. Pneumatic wheels offer the maximum in floor protection and move freely over obstructions and rough floors.



FNR-1648-20

## Applications

- ◆ Aerospace
- ◆ Tow-lines
- ◆ Automotive
- ◆ Boat Manufacturing
- ◆ Product Protection

## Options

- FF** Foam Filled
- WS** Wheel Seals
- ZF** Zerk Fitting

## Features

**Wheel Bearing:** Choice of straight roller, ball or tapered roller bearings.

**Operating Temperature Range:** -26 to 220°F

### SPECIFICATIONS

Wheel Diameter	Wheel Width	Ply Rating	lbs. Capacity	Axle Diameter	Straight Roller Bearing	Ball Bearing	Tapered Roller Bearing	Hub Length	lbs. Approx Weight
9.0"	2.80/4	4	300	1/2"	FNR-0828-08	FNB-0828-08		3-1/2"	4.5
				3/4"	FNR-0828-12	FNB-0828-12			
10.9"	4.10/4	4	480	1/2"	FNR-1041-08	FNB-1040-08		3-1/2"	5.5
				3/4"	FNR-1041-12		FNT-1041-12		
				1"	FNR-1041-16				
13.0"	4.10/6	4	500	3/4"	FNR-1241-12	FNB-1241-12	FNT-1241-12	4-1/2"	6.5
				1"	FNR-1241-16				
15.1"	5.30/6	4	870	3/4"	FNR-1448-12	FNB-1448-12		4-1/2"	9.0
				1"	FNR-1448-16				
16.3"	4.80/8	4	1000	1"	FNR-1648-16		FNT-1648-16	4-1/2"	12.0
				1-1/4"	FNR-1648-20				
18.4"	5.70/8	4	1170	1"			FNT-1857-16	4-1/2"	15.0
				1-1/4"	FNR-1857-20				
21.0"	6.90/9	10	2420	1-1/4"			FNT-2169-20	7"	37.5
23.5"	6.50/10	10	2775	1-1/4"			FNT-2365-20	8"	38.0
25.7"	7.50/10	10	3630	1-1/4"			FNT-2575-20	9"	40.0

Capacity rating is for manual operation. For capacities of power moved loads, please consult the factory. Full Pneumatic Wheels must be inflated as specified. For larger diameter, higher capacity pneumatic wheels, please consult the factory.

UP TO 3,630 POUND CAPACITY

# RWM Casters Industry Leading Urethane Wheels

## RWM - Pioneers in the field of Urethane Wheels

RWM always strives to offer its customers the absolute best in material quality because we understand that there is no benefit to anyone by using sub-par materials. Having to replace a poor quality part always costs more than purchasing the quality one in the first place.

### PPG vs. PTMEG

There are two types of polyurethane. They are known as PPG and PTMEG. While the rest of the world uses PPG compounds because they are cheaper, RWM knows that a superior wheel is produced using the PTMEG material. The following are the properties that are used to compare different polyurethanes:

**Tensile Strength** – A general accounting of the strength of the material

**100% Modulus** – The force required to stretch the material to twice its original length

**300% Modulus** – The force required to stretch the material to 300% of its original length

**Elongation at Break** – The amount you can stretch the material before it breaks

**Die C Tear and Split Tear**– These properties are measures of the material's resistance to tearing. Two different test methods are used to obtain this information.

**Compression Set** – This value measures the material's resistance to permanent deformation.

**Bashore Rebound** – This how well the material absorbs a shock such as a bump in the ground.

## RWM Casters Improved Urethane Properties

Between the PPG material used by other companies and the PTMEG material used by RWM, it is plain to see that the PTMEG material is the superior of the two types thus giving you a superior product for your application. Below is a table comparing two type-representative materials.

Urethane Properties		
Property	PPG	RWM PTMEG
Tensile Strength (PSI)	4510	7500
100% Modulus (PSI)	1705	2200
300% Modulus (PSI)	3560	5000
Elongation at Break (%)	335	350
Die C Tear (PLI)	385	400
Split Tear (PLI)	134	130
Compression Set (%)	29	32
Bashore Rebound (%)	37	48

## So What Does This Mean To You?

When you buy from RWM Casters, you can be confident that you are getting a wheel that will last longer, take higher loads, absorb shock better, resist abrasion and tearing, will not flat spot and simply provides a better value to the customer.





# Urethane on Polypropylene Wheels

**RAPIDSTOCK**

UP Wheels

Polyurethane is mechanically bonded to a high density polypropylene core. This mechanical bond eliminates bond separation due to wet conditions. The combination of both materials provides for a long lasting, longwearing wheel that is impervious to water (including salt water), resistant to oils, grease, most solvents and chemicals. The UP wheel provides a smooth ride over rough surfaces.

## Features

**Wheel Bearing:** Choice of straight roller, ball or celcon  
**Temperature Range:** -40° to +175°F  
**Hardness:** 95 durometer Shore A

## Applications

Urethane on Polypropylene Wheels are very popular, attractive, lightweight and extremely durable wheels used in countless applications. These polyurethane wheels are typically used in commercial, industrial and food service applications. The polyurethane tread is non-marking and offers a quiet ride, floor protection and excellent capacity ratings. These polyurethane wheels have a slight crown so that they maneuver very well. They are used in large numbers in the retail industry, shopping carts, platform trucks, etc. and can be washed down offering excellent sanitary applications.



UPR-0820-19

UPR-0520-19

## Options

- TG** Thread Guard\*
- WS** Wheel Seals
- ZF** Zerk Fitting

\*Thread guards are available on some models. Consult factory for specific wheel sizes.

## SPECIFICATIONS

Wheel Diameter	Wheel Width	lbs. Capacity	Axle Diameter	Straight Roller Bearing	Ball Bearing	Plain, Oilite, Celcon Bearing	Hub Length	lbs. Approx Weight
3"	1-1/4"	225	5/16"		UPB-0312-05	UPC-0312-05	1-1/2"	0.5
			3/8"		UPB-0312-06	UPC-0312-06		
3-1/2"	1-1/4"	250	5/16"		UPB-3512-05	UPC-3512-05	1-1/2"	0.6
			3/8"		UPB-3512-06	UPC-3512-06		
4"	1-1/4"	275	5/16"		UPB-0412-05	UPC-0412-05	1-1/2"	0.7
			3/8"		UPB-0412-06	UPC-0412-06		
4"	1-1/2"	500	1/2"	UPR-0415-08	UPB-0415-08	UPC-0415-08	1-7/8"	1.2
			5/8"	UPR-0415-10		UPC-0415-10		
			3/4"	UPR-0415-12		UPC-0415-12		
4"	2"	600	1/2"	UPR-0420-08	UPB-0420-08	UPC-0420-08	2-7/16"	1.4
			5/8"	UPR-0420-10		UPC-0420-10		
			3/4"	UPR-0420-12		UPC-0420-12		
5"	1-1/4"	300	5/16"		UPB-0512-05	UPC-0512-05	1-1/2"	1.3
			3/8"		UPB-0512-06	UPC-0512-06		
5"	1-1/2"	700	1/2"	UPR-0515-08	UPB-0515-08	UPC-0515-08	1-7/8"	1.4
			5/8"	UPR-0515-10		UPC-0515-10		
			3/4"	UPR-0515-12		UPC-0515-12		
5"	2"	750	1/2"	UPR-0520-08	UPB-0520-08	UPC-0520-08	2-7/16"	1.7
			5/8"	UPR-0520-10		UPC-0520-10		
			3/4"	UPR-0520-12		UPC-0520-12		
6"	1-1/2"	800	1/2"	UPR-0615-08	UPB-0615-08	UPC-0615-08	1-7/8"	2.3
			5/8"	UPR-0615-10		UPC-0615-10		
			3/4"	UPR-0615-12		UPC-0615-12		
6"	2"	900	1/2"	UPR-0620-08	UPB-0620-08	UPC-0620-08	2-7/16"	3.2
			5/8"	UPR-0620-10		UPC-0620-10		
			3/4"	UPR-0620-12		UPC-0620-12		
8"	2"	1000	1/2"	UPR-0820-08	UPB-0820-08	UPC-0820-08	2-7/16"	4.1
			5/8"	UPR-0820-10		UPC-0820-10		
			3/4"	UPR-0820-12		UPC-0820-12		

UP TO 1,000 POUND CAPACITY

RWM Urethane Solid wheels are designed primarily for applications involving high moisture. Injection molded hytrel urethane, the urethane solid wheels provide extended service in moisture applications that normally destroy conventionally bonded urethane wheels. The standard durometer of RWM urethane solid wheels is 75 on the Shore D scale.



USB-0515-06

## Applications

The RWM Urethane Solid Wheels are ideal for:

- ◆ high moisture applications

## Features

**Wheel Bearing:** Choice of straight roller, ball, or celcon

**Temperature Range:** -30° to +190°F

**Hub Lengths:** Can be shortened or lengthened to order

## Options

**TG** Thread Guard\*

**WS** Wheel Seals (RB)

There's no need to add an option for microbial resistance; through the use of superior polyurethane, RWM wheels are equipped to resist buildup from the factory.

## SPECIFICATIONS

Wheel Diameter	Wheel Width	lbs. Capacity	Axle Diameter	Straight Roller Bearing	Ball Bearing	Plain, Oilite, Celcon Bearing	Hub Length	lbs. Approx Weight
2"	7/8"	125	5/16"		USB-0208-05		1-1/8"	0.2
2-5/16"	1-5/16"	500	5/16"		USB-2313-05		1-5/8"	0.4
2-1/2"	1-1/4"	150	5/16"		USB-2512-05		1-1/2"	0.3
2-3/4"	1-5/16"	500	5/16"		USB-2713-05		1-5/8"	0.5
3"	1-1/4"	190	5/16"		USB-0312-05		1-1/2"	0.7
3-1/2"	1-5/16"	210	3/8"		USB-3512-06		1-1/2"	0.8
4"	1-1/4"	220	5/16"		USB-0412-05		1-1/2"	0.9
	1-1/2"	300	3/8"	USR-0415-06	USB-0415-06	USC-0415-06	1-7/8"	1.5
			1/2"	USR-0415-08		USC-0415-08		
			5/8"	USR-0415-10		USC-0415-10		
3/4"	USR-0415-12		USC-0415-12					
5"	1-1/2"	330	3/8"	USR-0515-06	USB-0515-06	USC-0515-06	1-7/8"	1.6
			1/2"	USR-0515-08		USC-0515-08		
			5/8"	USR-0515-10		USC-0515-10		
			3/4"	USR-0515-12		USC-0515-12		

UP TO 500 POUND CAPACITY

# Urethane on Aluminum Wheels

RWM urethane on aluminum core wheels roll easier and outlast rubber wheels. RWM urethane treads are a high quality liquid cast polyurethane chemically bonded to our aluminum cores. Aluminum core does not rust, but can corrode when exposed to certain cleaners and solvents (use MU wheel as alternative). Aluminum core has an attractive, strong metallic look. We crown the wheels slightly to reduce the energy needed to turn the wheel when under a heavy load. All RWM urethane tread wheels offer capacities approaching those of steel wheels, outstanding abrasion resistance, oil, and chemical resistance. In addition, these wheels are non-marking and protect floors. Many have found these wheels provide excellent rollability and are versatile enough to use on a variety of floor surfaces. Our Premium **PTMEG** urethane provides longer service life, better wear and tear characteristics and rejects floor debris.



UAR-0620-19

## Features

**Wheel Bearing:** Choice of straight roller, or celcon  
**Temperature Range:** -40° to +180°F  
**Hub Length:** Can be lengthened or shortened to order  
**Hardness:** 92 Shore A Durometer

## Applications

Popular wheel for wash-down applications, and on carts that may be left and used outdoors.

## Options

- TG** Thread Guard
- WS** Wheel Seals
- ZF** Zerk Fitting



## SPECIFICATIONS

Wheel Diameter	Wheel Width	lbs. Capacity	Axle Diameter	Urethane Thickness	Straight Roller Bearing	Plain, Oilite, Celcon Bearing	Hub Length	Approx Weight lbs.
3-1/2"	1-1/2"	420	1/2"	5/16"	UAR-3515-08	UAC-3515-08	1-7/8"	1.1
			5/8"		UAR-3515-10	UAC-3515-10		
			3/4"		UAR-3515-12	UAC-3515-12		
4"	1-1/2"	600	1/2"	1/2"	UAR-0415-08	UAC-0415-08	1-7/8"	1.2
			5/8"		UAR-0415-10	UAC-0415-10		
			3/4"		UAR-0415-12	UAC-0415-12		
4"	2"	700	1/2"	1/2"	UAR-0420-08	UAC-0420-08	2-7/16"	1.6
			5/8"		UAR-0420-10	UAC-0420-10		
			3/4"		UAR-0420-12	UAC-0420-12		
5"	1-1/2"	720	1/2"	1/2"	UAR-0515-08	UAC-0515-08	1-7/8"	1.6
			5/8"		UAR-0515-10	UAC-0515-10		
			3/4"		UAR-0515-12	UAC-0515-12		
5"	2"	1050	1/2"	7/16"	UAR-0520-08	UAC-0520-08	2-7/16"	2.0
			5/8"		UAR-0520-10	UAC-0520-10		
			3/4"		UAR-0520-12	UAC-0520-12		
6"	2"	1230	1/2"	3/8"	UAR-0620-08	UAC-0620-08	2-7/16"	2.4
			5/8"		UAR-0620-10	UAC-0620-10		
			3/4"		UAR-0620-12	UAC-0620-12		
8"	2"	1500	1/2"	7/16"	UAR-0820-08	UAC-0820-08	2-7/16"	3.4
			5/8"		UAR-0820-10	UAC-0820-10		
			3/4"		UAR-0820-12	UAC-0820-12		

UP TO 1,500 POUND CAPACITY

# Urethane on Aluminum Round Tread

The Torus Wheel™ offers a rounded tread that provides easy turning under heavy loads. The Torus Wheel™ features our premium **PTMEG** urethane tread, 92 on the Shore-A scale that is mechanically and chemically bonded to a light-weight sturdy aluminum core. This prevents tread separation and ensures maximum service life especially in demanding continuous use applications. The Torus Wheel™ has an aluminum core that provides a lightweight, long-lasting attractive alternative to cast iron.



UAB-0821-08



UAB-0821-08



UAB-0821-08

## Applications

The Torus Wheel™ is an exceptional wheel for continuous towline applications. It was developed specifically for automotive manufacturing assembly lines. This wheel offers excellent floor protection, noise reduction and is able to roll over small debris.

**\*Contact the factory for special automotive specific urethane wheel designs and options.**

### URETHANE WHEEL EXPERTS

RWM Casters has improved urethane compounds to withstand the new ergonomic, quality and value issues demanded in the aircraft, automotive and heavy-duty industrial material handling markets.



## Features

**Wheel Bearing:** Sealed precision bearing

**Temperature Range:** -40°F to 180°F

**Hardness:** Blue Wheel: 92 durometer shore A

There's no need to add an option for microbial resistance; through the use of superior polyurethane, RWM wheels are equipped to resist build-up from the factory.

## SPECIFICATIONS

Wheel Diameter	Wheel Width	lbs. Capacity	Axle Diameter	Sealed Precision Ball Bearing	Hub Length	Approx Weight
6"	2"	1230	1/2"	UAB-0621-08-92A	2-7/16"	3.1
8"	2"	1500	1/2"	UAB-0821-08-92A	2-7/16"	4.7



UP TO 1,500 POUND CAPACITY

RWM urethane on iron wheels are liquid cast and chemically bonded to our machined cast iron cores. The core is a heavy-duty solid web design with an oversized hub, enabling it to be machined to be fitted for special bearings or a keyway. Careful attention is made during the bonding process to ensure that each urethane on iron wheel meets or exceeds RWM's high standards of performance. They will outlast rubber wheels. In addition, these wheels are non-marking to floors and provide a more quiet ride than hard tread or steel wheels. Urethane wheels also provide outstanding abrasion resistance and are resistant to most chemicals, grease, oils and water. Our Premium **PTMEG** urethane provides longer service life, better wear and tear characteristics and rejects floor debris. All wheels up to 8" x 2 1/2" wide are standard crown tread that reduces the amount of friction between the tread and the floor, improving the rollability and maneuverability of the wheel.



UIT-1030-1.779



UIR-0620-19

## Applications

The RWM Urethane on Iron Wheel performs best in indoor applications on smooth cement floors. They are available with roller bearings for standard applications, or can be fitted with either sealed precision ball bearings or tapered bearings if being used in ergonomic or towline applications. Upgrading the bearings may increase the performance level and life of the wheel.

There's no need to add an option for microbial resistance; through the use of superior polyurethane, RWM wheels are equipped to resist buildup from the factory.

## Options

- 70D** Optional Durometer
- 80A** Optional Durometer
- TG** Thread Guard
- WS** Wheel Seals
- ZF** Zerk Fittings
- YY:** Shorter Hub Length
- SI:** Spanner Included

## Features

- Wheel Bearing:** Choice of straight roller, annular ball bearing, celcon or precision tapered
- Temperature Range:** -40°to+180°F
- Hub Length:** Can be shortened or lengthened to order
- Hardness:** 92 Shore A Durometer
- Lubrication Fittings:** Standard on 2-1/2" and wider wheels
- Keywords:** Can be installed on most sizes

### SPECIFICATIONS

Wheel Diameter	Wheel Width	Ibs. Capacity	Urethane Thickness	Axle Diameter	Straight Roller Bearing	Ball Bearing	Tapered Roller Bearing	Plain, Oilite, Celcon Bearing	Hub Length	Approx Weight
3-1/2"	1-1/4"	400	1/4"	5/16"		UIB-3512-05			1-15/32"	1.7
4"	1-1/4"	420	1/2"	5/16"		UIB-0412-05			1-15/32"	2.0
4"	1-1/2"	600	3/8"	3/8"	UIR-0415-06	UIB-0415-06		UIC-0415-06	1-7/8"	2.6
				1/2"	UIR-0415-08	UIB-0415-08	UIC-0415-08			
				5/8"	UIR-0415-10		UIC-0415-10			
				3/4"	UIR-0415-12		UIC-0415-12			
4"	2"	700	7/16"	1/2"	UIR-0420-08			UIC-0420-08	2-7/16"	3.2
				5/8"	UIR-0420-10		UIC-0420-10			
				3/4"	UIR-0420-12		UIC-0420-12			
4-1/2"	2-1/2"	1200	3/8"	3/4"	UIR-4525-12	UIB-4525-12	UIT-4525-12		3-1/2"	5.9
5"	1-1/4"	480	3/8"	5/16"		UIB-0512-05			1-15/32"	2.2
5"	1-1/2"	720	3/8"	3/8"	UIR-0515-06	UIB-0515-06		UIC-0515-06	1-7/8"	3.7
				1/2"	UIR-0515-08	UIB-0515-08	UIC-0515-08			
				5/8"	UIR-0515-10		UIC-0515-10			
				3/4"	UIR-0515-12		UIC-0515-12			
5"	2"	1050	3/8"	1/2"	UIR-0520-08			UIC-0520-08	2-7/16"	4.2
				5/8"	UIR-0520-10		UIC-0520-10			
				3/4"	UIR-0520-12		UIC-0520-12			
6"	1-1/2"	840	3/8"	3/8"	UIR-0615-06	UIB-0615-06		UIC-0615-06	1-7/8"	4.5
				1/2"	UIR-0615-08	UIB-0615-08	UIC-0615-08			
				5/8"	UIR-0615-10		UIC-0615-10			
				3/4"	UIR-0615-12		UIC-0615-12			
6"	2"	1230	1/2"	1/2"	UIR-0620-08	UIB-0620-08		UIC-0620-08	2-7/16"	5.1
				5/8"	UIR-0620-10	UIB-0620-10	UIC-0620-10			
				3/4"	UIR-0620-12	UIB-0620-12	UIC-0620-12			
6"	2-1/2"	1620	3/8"	3/4"	UIR-0625-12-YY		UIT-0625-12-YY		3"	10.2
				1"	UIR-0625-16-YY		UIT-0625-16-YY			
				1"	UIR-0625-16-YY-SI					
				1-1/4"	UIR-0625-20-YY					
				3/4"	UIR-0625-12	UIB-0625-12	UIT-0625-12	3-1/2"	12.5	
				1"	UIR-0625-16		UIT-0625-16			
1"	UIR-0625-16-SI									
6"	3"	2000	1/2"	1-1/4"	UIR-0625-20					
				3/4"	UIR-0630-12	UIB-0630-12	UIT-0630-12			
				1"	UIR-0630-16		UIT-0630-16			
				1"	UIR-0630-16-SI					
				1-1/4"	UIR-0630-20					

UP TO 9,000 POUND CAPACITY

# Urethane on Iron Wheels

Wheel Diameter	Wheel Width	Lbs. Capacity	Urethane Thickness	Axle Diameter	Straight Roller Bearing	Ball Bearing	Tapered Roller Bearing	Plain, Oilite, Celcon Bearing	Hub Length	Approx Weight
8"	2"	1500	7/16"	1/2"	UIR-0820-08	UIB-0820-08		UIC-0820-08	2-7/16"	8.2
				5/8"	UIR-0820-10	UIB-0820-10	UIC-0820-10			
				3/4"	UIR-0820-12	UIB-0820-12	UIC-0820-12			
8"	2-1/2"	1800	3/8"	3/4"	UIR-0825-12-YY		UIT-0825-12-YY		3"	11.0
				1"	UIR-0825-16-YY		UIT-0825-16-YY			
				1"	UIR-0825-16-YY-SI					
				1-1/4"	UIR-0825-20-YY			3-1/2"	13.4	
				3/4"	UIR-0825-12	UIB-0825-12	UIT-0825-12			
				1"	UIR-0825-16		UIT-0825-16			
1"	UIR-0825-16-SI									
1-1/4"	UIR-0825-20									
8"	3"	2500	1/2"	3/4"	UIR-0830-12	UIB-0830-12	UIT-0830-12		3-1/2"	17.0
				1"	UIR-0830-16		UIT-0830-16			
				1"	UIR-0830-16-SI					
				1-1/4"	UIR-0830-20					
8"	4"	3500	1/2"	1"	UIR-0840-16-SI		UIT-0840-16		4-1/2"	24.0
				1-1/4"	UIR-0840-20		UIT-0840-20			
				1-1/4"	UIR-0840-20-SI					
				1-1/2"	UIR-0840-24		UIT-0840-24			
10"	2-1/2"	2370	1/2"	3/4"	UIR-1025-12-YY		UIT-1025-12-YY		3"	17.3
				1"	UIR-1025-16-YY		UIT-1025-16-YY			
				1-1/4"	UIR-1025-20-YY					
				1"	UIR-1025-16-YY-SI			3-1/2"	19.0	
				3/4"	UIR-1025-12	UIB-1025-12	UIT-1025-12			
				1"	UIR-1025-16		UIT-1025-16			
1"	UIR-1025-16-SI									
1-1/4"	UIR-1025-20									
10"	3"	3000	1/2"	3/4"	UIR-1030-12	UIB-1030-12	UIT-1030-12		3-1/2"	20.8
				1"	UIR-1030-16		UIT-1030-16			
				1"	UIR-1030-16-SI					
				1-1/4"	UIR-1030-20		UIT-1030-20			
10"	4"	4200	1"	1"	UIR-1040-16-SI		UIT-1040-16		4-1/2"	28.0
				1-1/4"	UIR-1040-20		UIT-1040-20			
				1-1/4"	UIR-1040-20-SI					
				1-1/2"	UIR-1040-24		UIT-1040-24			
10"	5"	5000	1/2"	1"	UIR-1050-16-SI		UIT-1050-16		5-1/2"	40.0
				1-1/4"	UIR-1050-20		UIT-1050-20			
				1-1/4"	UIR-1050-20-SI					
				1-1/2"	UIR-1050-24		UIT-1050-24			
12"	2-1/2"	2700	1/2"	3/4"	UIR-1225-12-YY		UIT-1225-12-YY		3"	28.8
				1"	UIR-1225-16-YY		UIT-1225-16-YY			
				1"	UIR-1225-16-YY-SI					
				1-1/4"	UIR-1225-20-YY					
12"	3"	3400	1/2"	3/4"	UIR-1230-12	UIB-1230-12	UIT-1230-12		3-1/2"	31.5
				1"	UIR-1230-16		UIT-1230-16			
				1"	UIR-1230-16-SI					
				1-1/4"	UIR-1230-20		UIT-1230-20			
12"	3-1/2"	4100	1/2"	1-1/4"	UIR-1235-20		UIT-1235-20		4-1/2"	32.0
12"	4"	4800	1"	1"	UIR-1240-16-SI		UIT-1240-16		4-1/2"	35.6
				1-1/4"	UIR-1240-20		UIT-1240-20			
				1-1/4"	UIR-1240-20-SI					
				1-1/2"	UIR-1240-24		UIT-1240-24			
12"	5"	6000	1"	1"	UIR-1250-16-SI		UIT-1250-16		5-1/2"	65.0
				1-1/4"	UIR-1250-20		UIT-1250-20			
				1-1/4"	UIR-1250-20-SI					
				1-1/2"	UIR-1250-24		UIT-1250-24			
12"	6"	7500	3/8"	1"	UIR-1260-16-SI		UIT-1260-16		6-1/2"	70.0
				1-1/4"	UIR-1260-20		UIT-1260-20			
				1-1/2"	UIR-1260-24		UIT-1260-24			
14"	3"	4300	1"	3/4"	UIR-1430-12	UIB-1430-12	UIT-1430-12		3-1/2"	28.6
				1"	UIR-1430-16		UIT-1430-16			
				1"	UIR-1430-16-SI					
				1-1/4"	UIR-1430-20					
14"	6"	7800	1-1/2"	1-1/4"	UIR-1460-20		UIT-1460-20		6-1/2"	69.0
16"	4"	6000	1"	1"	UIR-1640-16-SI		UIT-1640-16		4-1/2"	51.0
				1-1/4"	UIR-1640-20		UIT-1640-20			
				1-1/4"	UIR-1640-20-SI					
				1-1/2"	UIR-1640-24		UIT-1640-24			
16"	5"	8400	1"	1"	UIR-1650-16-SI		UIT-1650-16		5-1/2"	70.0
				1-1/4"	UIR-1650-20		UIT-1650-20			
				1-1/4"	UIR-1650-20-SI					
				1-1/2"	UIR-1650-24		UIT-1650-24			
18"	5"	8600	1"	1"	UIR-1850-16-SI		UIT-1850-16		5-1/2"	90.0
				1-1/4"	UIR-1850-20		UIT-1850-20			
				1-1/4"	UIR-1850-20-SI					
				1-1/2"	UIR-1850-24		UIT-1850-24			
20"	5"	9000	2"	1"	UIR-2050-16-SI		UIT-2050-16		5-1/2"	100.0
				1-1/4"	UIR-2050-20		UIT-2050-20			
				1-1/4"	UIR-2050-20-SI					
				1-1/2"	UIR-2050-24		UIT-2050-24			

UP TO 9,000 POUND CAPACITY

The Omega Wheel is a patented urethane wheel developed for caster applications. This polyurethane wheel achieves its load bearing and enhanced impact absorbing capabilities through a patented web/spoke design. When the wheel encounters an obstacle, it flexes, cushioning the load, and rebounds to its original shape. It retains bond at high speeds and resists picking up metal chips.



UOR-0820-19

The Omega tread resists chunking and tearing, and reduces noise more than standard polyurethane wheels. It eliminates the need for spring loaded casters. This wheel has been tested and engineered for 5 years. This design has been optimized to carry high loads at high speeds. Omega wheels are built to industry standards and can be retrofitted to any caster rig using the same size wheels.

## What Makes the Omega Wheel Different?

The Omega Wheel is different from other wheels due to the fact that it achieves its enhanced impact absorbing capabilities through a web/spoke structure, which is designed to buckle at deflections above a pre-described operating deflection. The web and spokes buckle in a localized area of the wheel. Due to the supreme elasticity of the specially formulated polyurethane, the web and spokes return to their original configuration and continue to carry load. Because of this designed-in critical deflection limit, the structure is not capable of prolonged operation at loads above its rated load. However, the Omega is capable of random, complete localized deflections to the cast core without permanent damage. Literally speaking, this means that the Omega Wheel can withstand loads above its capacity for short periods of time, whether the wheel is moving or not, without permanent damage to the tread.

## Features

**Wheel Bearing:** Choice of straight roller bearing, tapered or ball bearings

**Temperature Range:** -40°F to 180°F

**Hardness:** 95 Shore A Durometer

### 3. Omega Tread Resists Chunking & Tearing

Due to the specially formulated polymers and its built-in, resilient design, the Omega Wheel is able to travel over rough surfaces and sharp objects without chunking or tearing as standard polyurethane wheels do. The result is a reduction in maintenance costs because the Omega Wheel lasts longer than standard polyurethane wheels.

### 4. Does Not Pick up Metal Chips

The Omega Wheel is resilient enough to roll over metal chips and floor debris without embedding the material into the tread as happens with standard polyurethane wheels. This results in quieter wheel revolution and cleaner floors in your plant.

### 5. Eliminated Need for Spring Load Casters

Due to the unique, patented web and spoke structure, the wheel is capable of rolling over a 1/2" bar without changing the axle line. This results in a more economical caster design than spring load casters for absorbing impact in a variety of sizes.

### 6. Simplified Installation

The Omega Wheels are built to industry standards and therefore, can be retrofitted to any caster rig using the same size wheel.

### 7. Cost Effective

When you consider the previous benefits in their totality, you will see that the Omega Wheel will provide longer service life, reduce maintenance costs, reduce noise, and in general operate for a fraction of the cost of standard polyurethane wheels over time.

## Advantages of Omega Wheels

Here are some of the benefits and advantages the Omega Wheel can offer over standard polyurethane wheel designs:

### 1. Retains Bond at High Speed

Under load the Omega Wheel was tested at 17.5 mph for a period of twenty minutes. The wheel showed no signs of damage after that period. A standard polyurethane wheel was tested using the same criteria and the polyurethane delaminated after five minutes resulting in complete failure. Bond failure is the number one cause of polyurethane wheel failure. The Omega Wheel increases the service life of equipment using polyurethane wheels and keeps your equipment productive.

### 2. Reduces Noise

The Omega Wheel flexes when it encounters obstacles and absorbs the impact that generally is transferred to the equipment riding on the casters. The results are quieter working environments for your employees. Until now, noise reduction of casters has been achieved using shear discs. The Omega Wheel eliminates the need for these expensive shear discs. Using a spacer reducer, the Omega Wheel can be installed in any rig currently using the shear discs configuration.

### 3. Omega Tread Resists Chunking & Tearing

Due to the specially formulated polymers and its built-in, resilient design, the Omega Wheel is able to travel over rough surfaces and sharp objects without chunking or tearing as standard polyurethane wheels do. The result is a reduction in maintenance costs because the Omega Wheel lasts longer than standard polyurethane wheels.

### 4. Does Not Pick up Metal Chips

The Omega Wheel is resilient enough to roll over metal chips and floor debris without embedding the material into the tread as happens with standard polyurethane wheels. This results in quieter wheel revolution and cleaner floors in your plant.

### 5. Eliminated Need for Spring Load Casters

Due to the unique, patented web and spoke structure, the wheel is capable of rolling over a 1/2" bar without changing the axle line. This results in a more economical caster design than spring load casters for absorbing impact in a variety of sizes.

### 6. Simplified Installation

The Omega Wheels are built to industry standards and therefore, can be retrofitted to any caster rig using the same size wheel.

### 7. Cost Effective

When you consider the previous benefits in their totality, you will see that the Omega Wheel will provide longer service life, reduce maintenance costs, reduce noise, and in general operate for a fraction of the cost of standard polyurethane wheels over time.

## SPECIFICATIONS

Wheel Diameter	Wheel Width	lbs. Capacity	Axle Diameter	Straight Roller Bearing	Ball Bearing	Tapered Roller Bearing	Hub Length	lbs. Approx Weight
6"	2"	1000	1/2"	UOR-0620-08	UOB-0620-08	UOT-0620-08	2-7/16"	5.0
			3/4"	UOR-0620-12		UOT-0620-12		
8"	2"	1200	1/2"	UOR-0820-08	UOB-0820-08	UOT-0820-08	2-7/16"	9.0
			3/4"	UOR-0820-12	UOB-0820-08-SPB	UOT-0820-12		
8"	3"	1600	3/4"	UOR-0830-12		UOT-0830-12	3-1/2"	13.0
			1"	UOR-0830-16		UOT-0830-16		
			1-1/4"			UOT-0830-20		
10"	3"	2000	3/4"	UOR-1030-12	UOB-1030-12	UOT-1030-12	3-1/2"	21.2
			1"	UOR-1030-16		UOT-1030-16		
			1-1/4"			UOT-1030-20		

6" UOB sealed only

8" UOB sealed or "A" bearing

10" UOB sealed only

## Applications

- ◆ aerospace industry
- ◆ automotive industry
- ◆ air conditioning and warm air heat equipment
- ◆ carpet industry
- ◆ ceramic wall and floor tiles industry
- ◆ construction machinery and equipment
- ◆ conveyors
- ◆ dollies
- ◆ food products machinery
- ◆ industrial trucks industry
- ◆ mining machinery
- ◆ mobile home industry
- ◆ newspaper industry
- ◆ papermill industry
- ◆ refuse containers
- ◆ tow line
- ◆ tire manufacturing industry
- ◆ warehouse/storage facilities

## Field Test Results

The Omega Wheel has been tested and used extensively at automotive plants. The material handling department at a major automotive engine and fuel tanks plant was experiencing a high rate of hearing loss injuries. It was observed that stock trailers generated a great deal of noise when towed. Testing confirmed that empty trailers generated noise at about 114 dbA TWA- a level equivalent to a jackhammer, and well above OSHA guidelines. It was also noted that these same stock trailers were contributing to plant cleaning problems. This was due to chunking of existing caster wheels and their picking up of waste materials and debris. Finally, incidences of excessive scrap generation in certain critical machining and grinding operations were traced to floor vibrations. These were determined to be caused by passing stock trailers which had worn or damaged caster wheels.

## Results of Omega Installation

Four in-line stock trailers were pulled by a tow vehicle on a test course set up in the receiving area of the automotive plant. Trailers were tested empty, and then loaded with two baskets of cylinder block castings. The empty weight of each trailer was estimated at 800 lbs., and loaded weight was 9720 lbs. Two Quest Model M27 12EE Noise Meters were used to measure the noise generated by the trailers. One was handheld about six feet from the test route and measured noise over a distance of 150 feet. The second meter was mounted under the center of the second stock trailer. Three laps were made while accumulating the test data. After running the loaded and unloaded tests with standard single wheel casters, then two Omega Wheels mounted in dual Kingpinless™ casters were fitted on the same trailers for the second series of tests.

## Conclusions

The conclusion of the automotive plant's study showed that in aggregate, empty trailers averaged a reduction of 13.2 dbA with Omega Wheels. From the position of operators and bystanders, the Omega Wheels reduced noise by 13.8 dbA. Loaded trailers averaged a reduction of 4.6 dbA with Omega Wheels. For operators and bystanders, a 4.8 dbA noise reduction was achieved with the Omega Wheels. Visual inspection of the Omega Wheels during later use confirmed that they exhibited improved resistance to chunking and they did not pick up debris from the plant floor as readily as the standard casters. Finally, vibration measurements at critical machining operations showed a significant reduction in scrap generation or down-time when trailers equipped with Omega Wheels passed by. This was attributed to the Omega Wheel's ability to provide a smooth ride for the trailers and their resistance to chunking or picking up of foreign materials.

*The Omega Wheel is an innovative product that will make a huge impact on caster manufacturing as well as its customers and users. The Omega Wheel is made available today ONLY by RWM, the caster innovator.*

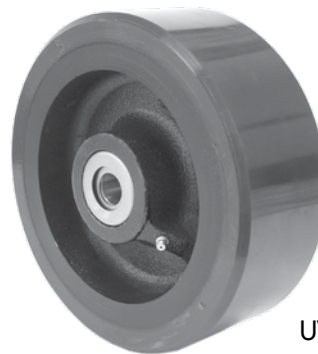
UP TO 2,000 POUND CAPACITY



# Whisper Wheels HD Urethane on Iron

RAPIDSTOCK

The Whisper Wheel is a unique design in which one inch of urethane is molded to a specially machined cast iron core. The core is uniquely machined and the urethane is then mechanically and chemically bonded to the core. This unique design provides you with a wheel that is longer wearing than standard urethane wheel designs, resists lateral delamination of the tread and reduces noise and provides a quiet ride. Our Premium **PTMEG** urethane provides longer service life, better wear and tear characteristics and rejects floor debris.



UWT-0830-12

## Features

**Wheel Bearing:** Choice of straight roller bearing, tapered or ball bearings

**Temperature Range:** -40°F to 180°F

**Hardness:** 92 Durometer Shore A

**Bores:** Sizes can be altered

**Keyways:** Can be installed on most sizes

## Applications

- ◆ automotive plants and towline applications
- ◆ applications needing lower noise levels, improved floor protection and where heavy loads and continuous use cause standard poly wheels to heat up and degrade

## Options

- 70D** Optional Durometer
- 80A** Optional Durometer
- 90A** Optional Durometer
- TG** Thread Guard on 2" wheels
- WS** Wheel Seals
- ZF** Zerk Fittings

There's no need to add an option for microbial resistance; through the use of superior polyurethane, RWM wheels are equipped to resist buildup from the factory.

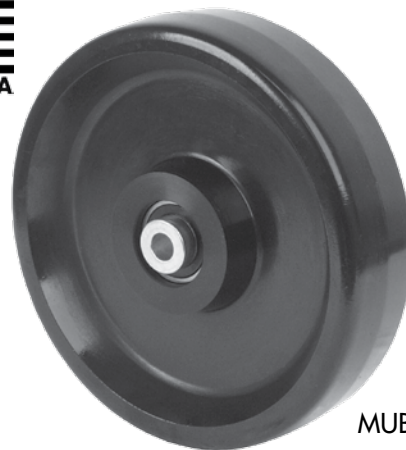
## SPECIFICATIONS

Wheel Diameter	Wheel Width	Urethane Thickness	Capacity		Axle Diameter	Straight Roller Bearing	Ball Bearing	Tapered Roller Bearing	Hub Length	Approx. Weight
			92A	90A						
8"	2"	1"	1500	1500	1/2"	UWR-0820-08	UWB-0820-08	UWT-0820-08	2-7/16"	10
					5/8"	UWR-0820-10				
					3/4"	UWR-0820-12	UWT-0820-12			
8"	3"	3/4"	3000	3000	3/4"	UWR-0830-12	UWB-0830-12	UWT-0830-12	3-1/2"	20
					1"	UWR-0830-16	UWT-0830-16			
					1"	UWR-0830-16-SI				
					1-1/4"	UWR-0830-20				
10"	3"	1"	3410	3410	3/4"	UWR-1030-12	UWB-1030-12	UWT-1030-12	3-1/2"	23
					1"	UWR-1030-16	UWT-1030-16			
					1"	UWR-1030-16-SI				
					1-1/4"	UWR-1030-20	UWT-1030-20			
12"	3"	1"	4100	4100	3/4"	UWR-1230-12	UWB-1230-12	UWT-1230-12	3-1/2"	31
					1"	UWR-1230-16	UWB-1230-16	UWT-1230-16		
					1"	UWR-1230-16-SI				
					1-1/4"	UWR-1230-20	UWT-1230-20			

SI: Spanner Included

UP TO 4,100 POUND CAPACITY

The RWM Casters Solid Urethane Wheels offer quiet operation and rollability and are designed for topline applications such as automotive plants. This non-marking wheel is resistant to grease, oil, chemicals and moisture. In addition, it is also resistant to chunking, cutting and abrasive wear. These Solid Urethane Wheels are used in application that need lower noise levels, improved floor protection and where heavy loads and continuous use cause standard polyurethane wheels to heat up and degrade. These Solid Urethane Wheels are proudly Made in the USA.



MUB-0820-08

**MU** - High Performance Solid Urethane Wheel - color black

## Features

**Wheel Bearing:** Choice of straight roller, celcon and ball bearings

**Temperature Range:** -40°to +180°F

**Hub Length:** Can be shortened or lengthened to order

**Hardness:** MU wheel is 70 durometer Shore D

## Applications

- ◆ automotive plants and topline applications
- ◆ applications needing lower noise levels
- ◆ applications needing improved floor protection
- ◆ applications where heavy loads and continuous use cause standard poly wheels to heat up and degrade



## Options

- TG** Thread Guard on 2" wheels
- WS** Wheel Seals

The solid urethane wheels can be used for the following series of rigs to make durable, long-lasting casters: 46, 47, 48, 52, 65, 70, 75 and 76 Series.

There's no need to add an option for microbial resistance; through the use of superior polyurethane, RWM wheels are equipped to resist buildup from the factory.

## SPECIFICATIONS

Wheel Diameter	Wheel Width	lbs.Capacity	Axle Diameter	Precision Ball Bearing	Sealed	Hub Length	Approx Weight
4"	2"	700	1/2"	MUB-0420-08		2-3/16"	1.6
5"	2"	1000	1/2"	MUB-0520-08		2-3/16"	1.7
6"	2"	1200	1/2"	MUB-0620-08		2-3/16"	1.8
8"	2"	1500	1/2"	MUB-0820-08		2-7/16"	2.9

UP TO 3,000 POUND CAPACITY

# 60D Solid Urethane Wheels

Our New 60D Solid Urethane Wheels offer quiet operation and are designed for towline applications for noise reduction and rolling ease. These non-marking wheels are resistant to grease, oil, chemicals and moisture. They are also resistant to chunking, cutting and abrasive wear.

Solid Urethane Wheels are used in applications that need lower noise levels, improved floor protection and where heavy loads and continuous use cause standard polyurethane wheels to heat up and degrade. Excellent solution for applications requiring improved rolling ease while maintaining ultra quiet operation. All RWM Solid Polyurethane Wheels come equipped with sealed precision ball bearings from the factory, eliminating wheel maintenance and improving operational characteristics.



MUB-0830-12-60D



MUB-0620-08-60D

## Features

**Wheel Bearing:** Sealed Precision Ball Bearings  
**Temperature Range:** -40°F to 180°F  
**Hardness:** MU wheel is 60 Durometer Shore D

## Applications

- ◆ Automotive plants and towline applications
- ◆ Applications needing lower noise levels
- ◆ Applications needing improved floor protection
- ◆ Applications where heavy loads and continuous use cause standard poly wheels to heat up and degrade

There's no need to add an option for microbial resistance; through the use of superior polyurethane, RWM wheels are equipped to resist buildup from the factory.

### SPECIFICATIONS

Wheel Diameter	Wheel Width	Capacity	Axle Diameter	Ball Bearing	Hub Length	Approx Weight lbs.
4"	2"	700	1/2"	MUB-0420-08-60D	2-3/16"	1.6
5"	2"	1000	1/2"	MUB-0520-08-60D	2-3/16"	1.7
6"	2"	1200	1/2"	MUB-0620-08-60D	2-3/16"	1.8
6"	3"	2000	3/4"	MUB-0630-12-60D	3-1/2"	5
8"	2"	1500	1/2"	MUB-0820-08-60D	2-7/16"	2.9
8"	3"	2500	3/4"	MUB-0830-12-60D	3-1/2"	7
10"	3"	3000	3/4"	MUB-1030-12-60D	3-1/2"	10

UP TO 3,000 POUND CAPACITY

RWM's Infinity Wheels are made from the highest quality Vulkollan® polyurethane in the world. These wheels have exceptional abrasion resistance, high tear strength and up to TEN TIMES THE LIFE OF NATURAL RUBBER WHEELS under similar loads and conditions. Load capacities are greater than similarly designed wheels, enabling the use of a smaller diameter wheel if required. Excellent for towing applications.



UIB-0830-12-INF



UIB-0820-12-INF

Our Infinity Wheels are resistant to a wide range of oils, greases and chemical, but are sensitive to hydrolysing agents such as hot water, steam and hot moist air, strong acids and alcohols. They offer excellent recovery from long periods of heavy static loading combined with low rolling resistance and floor saving tread.

## Advantages of Infinity Wheels

- Highest Quality Vulkollan® Polyurethane in the World!
- High Dynamic Load Capacity
- Superior Tear Resistance
- Exceptional Abrasion Resistance
- Extremely Durable
- Ergonomic / Easy to Roll
- Superior Rebound Resilience
- Superior Ozone, Grease and Oils Resistance
- Extremely Reliable
- Superior Structural Strength
- Reduced Downtime and Maintenance Costs

## Features

- Wheel Bearing:** Choice of precision ball or tapered roller bearings
- Temperature Range:** -20°F to 200°F
- Hardness:** 93 Durometer Shore A
- Finish:** Amber tread on cast iron core. The color of Vulkollan polyurethane will change over time and exposure to UV rays from a light amber to a very dark brown.

There's no need to add an option for microbial resistance; through the use of superior polyurethane, RWM wheels are equipped to resist buildup from the factory.

UP TO 6,800 POUND CAPACITY

SPECIFICATIONS								
Wheel Diameter	Wheel Width	lbs. Capacity	Axle Diameter	Tread Thickness	Sealed Precision Ball Bearing	Tapered Roller Bearing	Hub Length	lbs. Approx Weight
8"	2"	2000	1/2"	3/8"	UIB-0820-08-INF	UIT-0820-08-INF	2-7/16"	10
			5/8"		UIB-0820-10-INF	UIT-0820-10-INF		
		2500	3/4"		UIB-0820-12-INF	UIT-0820-12-INF		
			1"		UIB-0820-16-INF	UIT-0820-16-INF		
			1-1/4"		UIT-0820-20-INF			
8"	3"	4000	3/4"	5/8"	UIB-0830-12-INF	UIT-0830-12-INF	3-1/2"	15
			1"		UIB-0830-16-INF	UIT-0830-16-INF		
			1-1/4"		UIT-0830-20-INF			
10"	3"	5000	3/4"	1/2"	UIB-1030-12-INF	UIT-1030-12-INF	3-1/2"	22
			1"		UIB-1030-16-INF	UIT-1030-16-INF		
			1-1/4"		UIB1030-20-INF	UIT-1030-20-INF		
10"	4"	6800	1-1/4"	1"	UIB-1040-20-INF		4-1/2"	28

# Ultron Wheels

RWM's Nylatron HD Wheels are as strong as steel. These wheels are EXTREMELY heavy duty wheels designed for severe loads that won't sacrifice your floors! Nylatron HD Wheels do not chunk or separate under extreme applications. They are resilient against high temperature buildup from bearings and friction and will not chunk or separate. These wheels are a superb alternative to forged steel and other metal wheels.



NYB-0620-12

## Features

- Temperature Range:** -40°F to +300°F
- Finish:** Machined Dark Gray
- Bores:** Special configurations and keyways available
- Keyways:** Can be installed on most sizes
- Bearings:** Sealed Precision Ball Bearings
- Durometer:** Shore 80-85D
- Options:** Flanged, V-Groove, and other configurations available upon request

**Contact RWM for special sizes.**

Hub length includes top hat bushings.

3" wide wheels require 4 precision ball bearings.

These wheels are not for use in heavily acidic or base environments.

There's no need to add an option for microbial resistance; through the use of superior polyurethane, RWM wheels are equipped to resist buildup from the factory.

## SPECIFICATIONS

Wheel Diameter	Wheel Width	lbs. Capacity	Axle Diameter	Sealed Precision Ball Bearing	Hub Length	Approx Weight
2"	1"	250	5/16"	NYB-0210-05	1-1/6"	0.6
3"	1.25"	550	5/16"	NYB-0312-05	1-1/2"	1.2
			3/8"	NYB-0312-06		
3"	1.5"	700	3/8"	NYB-0315-06	1-7/8"	1.4
			1/2"	NYB-0315-08		
4"	1.25"	850	5/16"	NYB-0412-05	1-1/2"	1.8
			3/8"	NYB-0412-06		
4"	1.5"	1200	3/8"	NYB-0415-06	1-7/8"	2.1
			1/2"	NYB-0415-08		
4"	2"	2000	1/2"	NYB-0420-08	2-1/2"	2.5
			5/8"	NYB-0420-10		
		4000	3/4"	NYB-0420-12		
			1"	NYB-0420-16		
5"	1.25"	1200	5/16"	NYB-0512-05	1-1/2"	2.4
			3/8"	NYB-0512-06		
5"	1.5"	1400	3/8"	NYB-0515-06	1-7/8"	2.6
			1/2"	NYB-0515-08		
5"	2"	2000	1/2"	NYB-0520-08	2-1/2"	3
			5/8"	NYB-0520-10		
		4500	3/4"	NYB-0520-12		
			1"	NYB-0520-16		

UP TO 16,500 POUND CAPACITY

## SPECIFICATIONS

Wheel Diameter	Wheel Width	lbs. Capacity	Axle Diameter	Sealed Precision Ball Bearing	Hub Length	Approx Weight
6"	1.5"	1600	3/8"	NYB-0615-06	1-7/8"	3.4
			1/2"	NYB-0615-08		
6"	2"	2200	1/2"	NYB-0620-08	2-1/2"	4
			5/8"	NYB-0620-10		
		5000	3/4"	NYB-0620-12		
			1"	NYB-0620-16		
6"	2.5"	6500	3/4"	NYB-0625-16-YY	3"	4.5
			1"	NYB-0625-16-YY		
6"	3"	4000	1/2"	NYB-0630-08	3-1/2"	5.2
			5/8"	NYB-0630-10		
		10,000	3/4"	NYB-0630-12		
			1"	NYB-0630-16		
			1-1/4"	NYB-0630-20		
8"	2"	3000	1/2"	NYB-0820-08	2-1/2"	5.6
			5/8"	NYB-0820-10		
		5000	3/4"	NYB-0820-12		
			1"	NYB-0820-16		
8"	2.5"	7500	3/4"	NYB-0825-12-YY	3"	7.1
			1"	NYB-0825-16-YY		
8"	3"	10,000	3/4"	NYB-0830-12	3-1/2"	8
			1"	NYB-0830-16		
			1-1/4"	NYB-0830-20		
8"	4"	14,000	1"	NYB-0840-16	4-1/2"	12
			1-1/4"	NYB-0840-20		
10"	2.5	8500	3/4"	NYB-1025-12-YY	3"	9.5
			1"	NYB-1025-16-YY		
10"	3"	10,000	3/4"	NYB-1030-12	3-1/2"	11
			1"	NYB-1030-16		
			1-1/4"	NYB-1030-20		
10"	4"	16,500	1"	NYB-1040-16	4-1/2"	15
			1-1/4"	NYB-1040-20		
12"	3"	10,000	3/4"	NYB-1230-12	3-1/2"	13
			1"	NYB-1230-16		
			1-1/4"	NYB-1230-20		

UP TO 16,500 POUND CAPACITY

Ultra Thick Urethane wheels solve performance applications previously requiring press-on wheels. The thick tread reduces contact stresses in the polyurethane during high loading and towing, which reduces tread chunking. These liquid cast wheels feature a chemical and mechanical lock between the core and the urethane. Our Premium **PTMEG** urethane provides longer service life, better wear and tear characteristics and rejects floor debris.

## Features

**Wheel Bearing:** Choice of straight roller bearing or tapered roller bearing

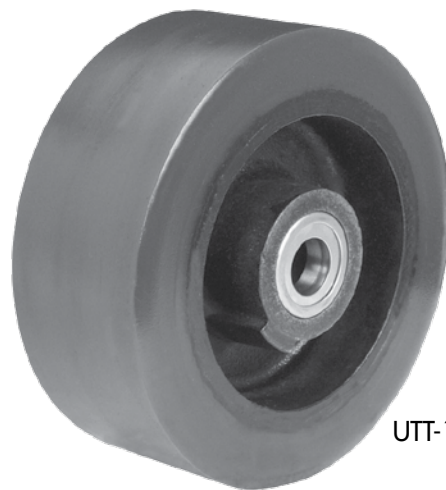
**Temperature Range:** -40° to 180°F

**Hub Length:** Can be shortened or lengthened to order

**Hardness:** 92 durometer Shore A

**Bores:** Sizes can be altered

**Keyways:** Can be installed on most sizes



UTT-1040-20

## Options

**WS** Wheel Seals

**70D** Optional Durometer

**80A** Optional Durometer

There's no need to add an option for microbial resistance; through the use of superior polyurethane, RWM wheels are equipped to resist buildup from the factory.

## Applications

Ultra Thick Urethane wheels provide a softer ride and quiet operation due to tread thickness and are good for towing applications. These wheels are non-marking to floors, provide outstanding abrasion resistance, and are resistant to most chemicals.

## URETHANE WHEEL EXPERTS

RWM Casters has improved urethane compounds to withstand the new ergonomic, quality and value issues demanded in the aircraft, automotive and heavy-duty industrial material handling markets.

Our new urethane performs 69% better Tensile PSI,

56% better Die C Tear PLI,

27% better 100% Modulus PSI,

22% better Bashore Rebound %,

21% better 300% Modulus PSI,

12% better Split Tear PLI,

10% better Elongation % and

Comparable Compression Set than PPG urethanes.



# Ultra Thick Urethane Wheels

## SPECIFICATIONS

Wheel Diameter	Wheel Width	Capacities at 3mph/6mph/10mph	Axle Diameter	Urethane Thickness	Straight Roller Bearing	Tapered Roller Bearing	Hub Length	Approx Weight lbs.
8"	3"	2600/2300/1600	3/4"	1-1/2"	UTR-0830-12	UTT-0830-12	3-1/2"	18.0
			1"		UTR-0830-16	UTT-0830-16		
			1-1/4"		UTR-0830-20	UTT-0830-20		
10"	3"	3400/2800/2000	3/4"	1-1/2"	UTR-1030-12	UTT-1030-12	3-1/2"	21.0
			1"		UTR-1030-16	UTT-1030-16		
			1-1/4"		UTR-1030-20	UTT-1030-20		
			1-1/2"		UTR-1030-24	UTT-1030-24		
10"	4"	4500/3800/2700	1"	1-1/2"	UTR-1040-16	UTT-1040-16	4-1/2"	45.0
			1-1/4"		UTR-1040-20	UTT-1040-20		
			1-1/2"		UTR-1040-24	UTT-1040-24		
12"	3"	4100/3400/2600	3/4"	2"	UTR-1230-12	UTT-1230-12	3-1/2"	38.0
			1"		UTR-1230-16	UTT-1230-16		
			1-1/4"		UTR-1230-20	UTT-1230-20		
			1-1/2"		UTR-1230-24	UTT-1230-24		
12"	4"	5300/4300/3000	1"	2"	UTR-1240-16	UTT-1240-16	4-1/2"	43.0
			1-1/4"		UTR-1240-20	UTT-1240-20		
			1-1/2"		UTR-1240-24	UTT-1240-24		
12"	5"	6500/5300/3600	1"	1-1/2"	UTR-1250-16	UTT-1250-16	5-1/2"	64.0
			1-1/4"		UTR-1250-20	UTT-1250-20		
			1-1/2"		UTR-1250-24	UTT-1250-24		
14"	3"	4800/4300/3000	3/4"	1"	UTR-1430-12	UTT-1430-12	3-1/2"	46.0
			1"		UTR-1430-16	UTT-1430-16		
			1-1/4"		UTR-1430-20	UTT-1430-20		
			1-1/2"		UTR-1430-24	UTT-1430-24		
14"	4"	6200/4800/3400	1"	2"	UTR-1440-16	UTT-1440-16	4-1/2"	58.0
			1-1/4"		UTR-1440-20	UTT-1440-20		
			1-1/2"		UTR-1440-24	UTT-1440-24		
14"	5"	7600/6400/4500	1"	2"	UTR-1450-16	UTT-1450-16	5-1/2"	65.0
			1-1/4"		UTR-1450-20	UTT-1450-20		
			1-1/2"		UTR-1450-24	UTT-1450-24		
14"	6"	9000/7800/5300	1"	1-3/8"	UTR-1460-16	UTT-1460-16	6-1/2"	88.0
			1-1/4"		UTR-1460-20	UTT-1460-20		
			1-1/2"		UTR-1460-24	UTT-1460-24		
16"	3"	5400/4600/3200	3/4"	2"	UTR-1630-12	UTT-1630-12	3-1/2"	32.0
			1"		UTR-1630-16	UTT-1630-16		
			1-1/4"		UTR-1630-20	UTT-1630-20		
			1-1/2"		UTR-1630-24	UTT-1630-24		
16"	4"	7100/5400/3800	1"	2-3/8"	UTR-1640-16	UTT-1640-16	4-1/2"	60.0
			1-1/4"		UTR-1640-20	UTT-1640-20		
			1-1/2"		UTR-1640-24	UTT-1640-24		
16"	5"	8800/8400/5600	1"	3"	UTR-1650-16	UTT-1650-16	5-1/2"	80.0
			1-1/4"		UTR-1650-20	UTT-1650-20		
			1-1/2"		UTR-1650-24	UTT-1650-24		
16"	6"	10300/8800/6100	1"	2"	UTR-1660-16	UTT-1660-16	6-1/2"	98.0
			1-1/4"		UTR-1660-20	UTT-1660-20		
			1-1/2"		UTR-1660-24	UTT-1660-24		

UP TO 10,300 POUND CAPACITY



RWM V-Groove wheels are high strength cast iron (VI) castings or forged steel (VF) forgings machined with a 90° groove for operation on an inverted angle iron track. Care must be made to assure the inverted angle iron track is parallel to ensure smooth and constant tracking. In some cases it may be advisable to run inverted angle iron on one side with V-Groove wheels and flat bar stock steel on the other side with a flat faced cast iron or forged steel wheel.

## Features

**Wheel Bearing:** Choice of straight roller bearing or tapered bearing

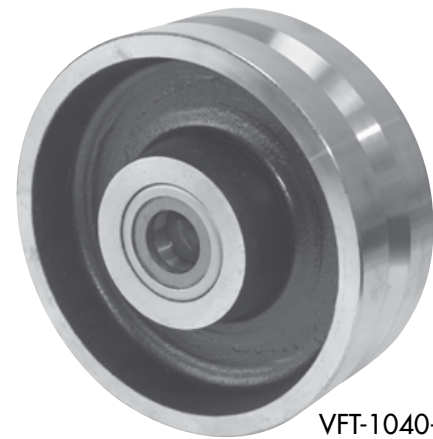
**Temperature Range:** -50° to +800°F

**Hub Length:** Can be cut or lengthened with spacers

**Lubrication Fittings:** Standard on 2-1/2" and wider wheels

**Bores:** Various sizes available on some wheels

**Keyways:** Can be installed on most sizes



VFT-1040-20

## Options

- WS** Wheel Seals
- ZF** Zerk Fittings on 2" wide and smaller wheels
- SI** Spanner Included
- YY** Shorter Hub Length

## Applications

V-Groove Wheels are used to control the flow of a load, i.e., into an oven, between machines, over long distances or where "production line" sequence is required.



# V-Groove Wheels

Wheel Diameter	Wheel Width	Capacity	Axle Diameter	Straight Roller Bearing	Tapered Roller Bearing	Width of Groove	Depth of Groove	Hub Length	Approx Weight
4"	1-1/2"	700	1/2"	VIR-0415-08		7/8"	7/16"	1-7/8"	3.4
			5/8"	VIR-0415-10					
			3/4"	VIR-0415-12					
4"	2"	800	1/2"	VIR-0420-08		7/8"	7/16"	2-7/16"	4.5
			5/8"	VIR-0420-10					
			3/4"	VIR-0420-12					
5"	2"	800	1/2"	VIR-0520-08		7/8"	7/16"	2-7/16"	6.3
			5/8"	VIR-0520-10					
			3/4"	VIR-0520-12					
6"	2"	1000	1/2"	VIR-0620-08	VIT-0620-08	7/8"	7/16"	2-7/16"	7.2
			5/8"	VIR-0620-10					
			3/4"	VIR-0620-12	VIT-0620-12				
6"	2-1/2"	1500	3/4"	VIR-0625-12-YY	VIT-0625-12-YY	7/8"	7/16"	3"	11.2
			1"	VIR-0625-16-SI-YY					
			1"	VIR-0625-16-YY	VIT-0625-16-YY				
		1-1/4"	VIR-0625-20-YY						
		2500	3/4"	VIR-0625-12	VIT-0625-12				
			1"	VIR-0625-16-SI					
1-1/4"	VIR-0625-20		VIT-0625-16						
6"	3"	3500	3/4"	VIR-0630-12	VIT-0630-12	7/8"	7/16"	3-1/2"	20.0
			1"	VIR-0630-16	VIT-0630-16				
			1"	VIR-0630-16-SI					
		1-1/4"	VIR-0630-20						
		7000	3/4"	VFR-0630-12	VFT-0630-12				
			1"	VFR-0630-16-SI	VFT-0630-16				
	1-1/4"		VFR-0630-20	VFT-0630-20					
	10,000	1-1/2"	VFR-0630-24	VFT-0630-24					
		1-1/4"	VFR-0630-24	VFT-0630-20-HD					
8"	2"	1050	1/2"	VIR-0820-08	VIT-0820-08	7/8"	7/16"	2-7/16"	13.2
			5/8"	VIR-0820-10					
			3/4"	VIR-0820-12	VIT-0820-12				
8"	2-1/2"	3000	3/4"	VIR-0825-12	VIT-0825-12	7/8"	7/16"	3-1/2"	15.8
			1"	VIR-0825-16-SI					
			1"	VIR-0825-16	VIT-0825-16				
			1-1/4"	VIR-0825-20					
8"	3"	5000	3/4"	VIR-0830-12	VIT-0830-12	7/8"	7/16"	3-1/2"	23.5
			1"	VIR-0830-16-SI					
			1"	VIR-0830-16	VIT-0830-16				
		1-1/4"	VIR-0830-20						
		6000	3/4"	VFR-0830-12	VFT-0830-12				
			1"	VFR-0830-16-SI	VFT-0830-16				
1-1/4"	VFR-0830-20		VFT-0830-20						
8"	4"	10,000	1-1/4"	VFR-0840-20-SI		1-3/4"	7/8"	4-1/2"	30.0
			1-1/2"	VFR-0840-24-SI					
			2"	VFR-0840-32					
		15,000	1-1/4"	VFR-0840-20	VFT-0840-20				
			1-1/2"	VFR-0840-24	VFT-0840-24				
10"	3"	5000	3/4"	VIR-1030-12	VIT-1030-12	7/8"	7/16"	3-1/2"	21.0
			1"	VIR-1030-16-SI					
			1"	VIR-1030-16	VIT-1030-16				
		6000	1-1/4"	VIR-1030-20	VIT-1030-20				
			3/4"	VFR-1030-12	VFT-1030-12				
			1"	VFR-1030-16	VFT-1030-16				
10"	4"	10,000	1-1/4"	VFR-1040-20-SI		1-3/4"	7/8"	4-1/2"	38.0
			1-1/2"	VFR-1040-24-SI					
			2"	VFR-1040-32					
12"	3"	6000	1-1/4"	VFR-1040-20	VFT-1040-20	1-3/4"	7/8"	4-1/2"	38.0
			1-1/2"	VFR-1040-24	VFT-1040-24				
			3/4"	VIR-1230-12	VIT-1230-12				
12"	3"	6000	1"	VIR-1230-16	VIT-1230-16	7/8"	7/16"	3-1/2"	39.0
			1"	VIR-1230-16-SI					
			1-1/4"	VIR-1230-20	VIT-1230-20				

UP TO 15,000 POUND CAPACITY

RWM Cast Iron Wheels are made of much stronger material than inexpensive semi-steel wheels offered by many other wheel manufacturers. These cast iron wheels can withstand high temperatures and exposure to water or the environment. They will rust over time. Cast iron wheels can also withstand exposure to chemicals, grease, oils, etc.

## Features

**Wheel Bearing:** Choice of straight roller, annular ball, tapered, celcon or plain

**Temperature Range:** -40° to +800°F

**Retaining Washers:** All wheels 1-1/2" and wider with roller bearings are equipped with a metal thrust/retainer washer

**Finish:** Painted

**Bores:** Special sizes available upon request

**Lubrication:** All wheels 1-1/4", 1-1/2", and 2" wide are generally lubricated through the hollow axle. Lubrication fittings can be installed on the hub upon request on most of these wheels. 2-1/2" and wider wheels are supplied with a lubrication fitting on the hub.



## Applications

RWM Cast Iron Wheels are exceptionally long wearing, provide excellent resistance to shock and are a good choice for heavy loads in manufacturing and warehousing, especially on rough concrete, wood block and other rough surface conditions.

## Options

- TG** Thread Guard on 1-1/4", 1-1/2", 2" tread wheels
- WS** Wheel Seals
- ZF** Zerk Fitting

**SI:** Spanner Included  
**YY:** Shorter Hub Length

**4", 5", 6" and 8" diameter, 2" wheels are solid hub.**

## SPECIFICATIONS

Wheel Diameter	Wheel Width	Capacity lbs.	Axle Diameter	Straight Roller Bearing	Ball Bearing	Tapered Roller Bearing	Plain, Oilite, Celcon Bearing	Hub Length	Approx Weight
3"	1-1/4"	300	5/16"		CIB-0312-05		CIP-0312-05	1-15/32"	1.5
			3/8"			CIP-0312-06			
			1/2"			CIP-0312-08			
3 1/4"	1 1/2"	400	1/2"	CIR-3215-08			CIO-3215-08	1-7/8"	3.0
			5/8"	CIR-3215-10		CIO-3215-10			
			3/4"	CIR-3215-12		CIO-3215-12			
4"	1-1/4"	500	5/16"		CIB-0412-05			1-7/16"	1.9
			3/8"			CIP-0412-06			
4"	1-1/2"	500	3/8"	CIR-0415-06	CIB-0415-06		CIC-0415-06	1-7/8"	3.2
			1/2"	CIR-0415-08	CIB-0415-08		CIC-0415-08		
			5/8"	CIR-0415-10		CIC-0415-10			
			3/4"	CIR-0415-12		CIC-0415-12			
4"	2"	800	1/2"	CIR-0420-08	CIB-0420-08		CIC-0420-08	2-7/16"	3.3
			5/8"	CIR-0420-10			CIC-0420-10		
			3/4"	CIR-0420-12			CIC-0420-12		
4"	3"	2000	3/4"	CIR-0430-12		CIT-0430-12	3-1/2"	8.0	
			1"	CIR-0430-16		CIT-0430-16			
4-1/2"	2-1/2"	1500	3/4"	CIR-4525-12		CIT-4525-12	3-1/2"	8.1	
			1"	CIR-4525-16					
			1-1/4"	CIR-4525-20					

UP TO 10,000 POUND CAPACITY

# Cast Iron Wheels

5"	1-1/2"	600	3/8"	CIR-0515-06	CIB-0515-06		CIC-0515-06	1-7/8"	4.0
			1/2"	CIR-0515-08	CIB-0515-08		CIC-0515-08		
			5/8"	CIR-0515-10			CIC-0515-10		
			3/4"	CIR-0515-12			CIC-0515-12		
5"	2"	1000	1/2"	CIR-0520-08	CIB-0520-08		CIC-0520-08	2-7/16"	4.7
			5/8"	CIR-0520-10	CIB-0520-10		CIC-0520-10		
			3/4"	CIR-0520-12	CIB-0520-12		CIC-0520-12		
5"	2-1/2"	2000	3/4"	CIR-0525-12		CIT-0525-12		3-1/2"	8.0
			1"	CIR-0525-16		CIT-0525-16			
			1"	CIR-0525-16-SI					
			1-1/4"	CIR-0525-20					
6"	1-1/2"	600	3/8"	CIR-0615-06	CIB-0615-06		CIC-0615-06	1-7/8"	5.0
			1/2"	CIR-0615-08	CIB-0615-08		CIC-0615-08		
			5/8"	CIR-0615-10			CIC-0615-10		
			3/4"	CIR-0615-12			CIC-0615-12		
6"	2"	1200	1/2"	CIR-0620-08	CIB-0620-08		CIC-0620-08	2-7/16"	5.7
			5/8"	CIR-0620-10	CIB-0620-10		CIC-0620-10		
			3/4"	CIR-0620-12	CIB-0620-12		CIC-0620-12		
6"	2-1/2"	1800	3/4"	CIR-0625-12-YY		CIT-0625-12-YY		3"	9.5
			1"	CIR-0625-16-YY		CIT-0625-16-YY			
			1"	CIR-0625-16-SI-YY					
			1-1/4"	CIR-0625-20-YY					
6"	3"	3000	3/4"	CIR-0630-12		CIT-0630-12		3-1/2"	12.0
			1"	CIR-0630-16		CIT-0630-16			
			1"	CIR-0630-16-SI					
			1-1/4"	CIR-0630-20					
8"	2"	1400	1/2"	CIR-0820-08	CIB-0820-08		CIC-0820-08	2-7/16"	11.4
			5/8"	CIR-0820-10	CIB-0820-10		CIC-0820-10		
			3/4"	CIR-0820-12	CIB-0820-12		CIC-0820-12		
8"	2-1/2"	1800	3/4"	CIR-0825-12-YY		CIT-0825-12-YY		3"	14.5
			1"	CIR-0825-16-YY		CIT-0825-16-YY			
			1"	CIR-0825-16-SI-YY					
			1-1/4"	CIR-0825-20-YY					
8"	2-1/2"	2000	3/4"	CIR-0825-12		CIT-0825-12		3-1/2"	15.5
			1"	CIR-0825-16					
			1"	CIR-0825-16-SI		CIT-0825-16			
			1-1/4"	CIR-0825-20					
8"	3"	3000	3/4"	CIR-0830-12		CIT-0830-12		3-1/2"	15.5
			1"	CIR-0830-16					
			1"	CIR-0830-16-SI		CIT-0830-16			
			1-1/4"	CIR-0830-20					
8"	4"	4000	1"	CIR-0840-16		CIT-0840-16		4-1/2"	26.0
			1-1/4"	CIR-0840-20		CIT-0840-20			
10"	2-1/2"	1800	3/4"	CIR-1025-12-YY		CIT-1025-12-YY		3"	17.0
			1"	CIR-1025-16-YY		CIT-1025-16-YY			
			1"	CIR-1025-16-SI-YY					
			1-1/4"	CIR-1025-20-YY					
10"	2-1/2"	2500	3/4"	CIR-1025-12		CIT-1025-12		3-1/2"	19.0
			1"	CIR-1025-16		CIT-1025-16			
			1"	CIR-1025-16-SI					
			1-1/4"	CIR-1025-20					
10"	3"	4000	3/4"	CIR-1030-12		CIT-1030-12		3-1/2"	27.0
			1"	CIR-1030-16		CIT-1030-16			
			1"	CIR-1030-16-SI					
			1-1/4"	CIR-1030-20		CIT-1030-20			
10"	4"	5000	1-1/4"	CIR-1040-20		CIT-1040-20		4-1/2"	35.0
10"	5"	6000	1-1/4"	CIR-1050-20		CIT-1050-20		5-1/2"	24.0
			1-1/2"	CIR-1050-24		CIT-1050-24			
12"	2-1/2"	2500	3/4"	CIR-1225-12-YY		CIT-1225-12-YY		3"	17.0
			1"	CIR-1225-16-YY		CIT-1225-16-YY			
			1"	CIR-1225-16-SI-YY					
			1-1/4"	CIR-1225-20-YY					
12"	3"	5000	3/4"	CIR-1230-12		CIT-1230-12		3-1/2"	29.0
			1"	CIR-1230-16					
			1"	CIR-1230-16-SI		CIT-1230-16			
			1-1/4"	CIR-1230-20		CIT-1230-20			
12"	6"	10000	1"	CIR-1260-16		CIT-1260-16		6-1/2"	70.0
			1-1/4"	CIR-1260-20		CIT-1260-20			
			1-1/2"	CIR-1260-24		CIT-1260-24			
16"	5"	7000	1-1/4"	CIR-1650-20		CIT-1650-20		5-1/2"	70.0
			1-1/2"	CIR-1650-24		CIT-1650-24			

UP TO 10,000 POUND CAPACITY

# Cast Iron Flanged Wheels

RWM industrial flanged track wheels cast with 30,000 psi tensile strength iron offer instant and fluent production flow. These wheels are designed to handle a wide range of temperature variance under high stress situations. Primarily used when controlling flow, rollability and floor maintenance are big concerns. This wheel is offered in dual or single flanged versions.

## Features

**Wheel Bearing:** Choice of roller, tapered or plain

**Temperature Range:** -40° to +800°F

**Finish:** Painted

**Bores:** Special sizes available upon request

**Keyways:** Can be installed on most sizes

**SINGLE FLANGE:** "S" after bearing #

**HUB LENGTH:** includes spanner & roller bearings installed

## Options

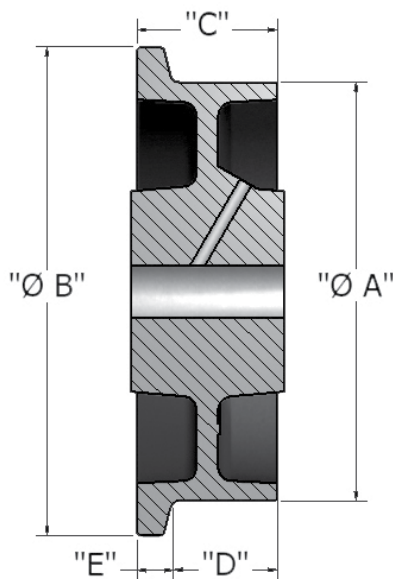
**TG** Thread Guard

**WS** Wheel Seals

CONTACT RWM FOR MORE OPTIONS.



FIP-0620-08-S



# Cast Iron Flanged Wheels

## SINGLE FLANGE SPECIFICATIONS

Wheel Diameter A	Flanged Diameter B	Wheel Width C	Tread Face D	Flange E	Capacity lbs.	Axle Diameter	Straight Roller Bearing	Tapered Roller Bearing	Plain Bearing	Hub Length	Approx Weight lbs.
4"	5"	2"	1-1/2"	1/2"	1000	1/2"	FIR-0420-08-S	FIT-0420-08-S	FIP-0420-08-S	2-7/16"	8
						5/8"	FIR-0420-10-S	FIT-0420-10-S	FIP-0420-10-S		
						3/4"	FIR-0420-12-S	FIT-0420-12-S	FIP-0420-12-S		
						1"	FIR-0420-16-S	FIT-0420-16-S			
						1-1/4"	FIR-0420-20-S	FIT-0420-20-S			
5"	6"	2"	1-1/2"	1/2"	1200	1/2"	FIR-0520-08-S	FIT-0520-08-S	FIP-0520-08-S	2-7/16"	8
						5/8"	FIR-0520-10-S	FIT-0520-10-S	FIP-0520-10-S		
						3/4"	FIR-0520-12-S	FIT-0520-12-S	FIP-0520-12-S		
						1"	FIR-0520-16-S	FIT-0520-16-S			
						1-1/4"	FIR-0520-20-S	FIT-0520-20-S			
6"	7"	2"	1-1/2"	1/2"	1500	1/2"	FIR-0620-08-S	FIT-0620-08-S	FIP-0620-08-S	2-7/16"	9
						5/8"	FIR-0620-10-S	FIT-0620-10-S	FIP-0620-10-S		
						3/4"	FIR-0620-12-S	FIT-0620-12-S	FIP-0620-12-S		
						1"	FIR-0620-16-S	FIT-0620-16-S			
						1-1/4"	FIR-0620-20-S	FIT-0620-20-S			
8"	9"	2"	1-1/2"	1/2"	2000	1/2"	FIR-0820-08-S	FIT-0820-08-S	FIP-0820-08-S	2-7/16"	12
						5/8"	FIR-0820-10-S	FIT-0820-10-S	FIP-0820-10-S		
						3/4"	FIR-0820-12-S	FIT-0820-12-S	FIP-0820-12-S		
						1"	FIR-0820-16-S	FIT-0820-16-S			
						1-1/4"	FIR-0820-20-S	FIT-0820-20-S			
8"	9"	3"	2-1/2"	1/2"	3000	3/4"	FIR-0830-12-S	FIT-0830-12-S	FIP-0830-12-S	3-9/16"	16
						1"	FIR-0830-16-S	FIT-0830-16-S	FIP-0830-16-S		
						1-1/4"	FIR-0830-20-S	FIT-0830-20-S			
						1-1/2"	FIR-0830-24-S				
12"	14"	3"	2-1/4"	3/4"	5000	1"	FIR-1230-16-S	FIT-1230-16-S		3-9/16"	32
						1-1/4"	FIR-1230-20-S	FIT-1230-20-S			
						1-1/2"	FIR-1230-24-S				

UP TO 5,000 POUND CAPACITY

RWM Casters manufactures these Forged Steel Wheels by hot forging them from medium carbon steel providing maximum strength and durability. RWM Forged Steel Wheels are virtually indestructible within their capacity range. These industrial forged steel wheels should not be confused with ductile iron or heavy-duty cast iron wheels offering both lower cost and reduced capacities.

## Features

**Wheel Bearing:** Choice of straight roller bearings or precision tapered bearings

**Temperature Range:** 50° to 800°F

**Hub Length:** Can be shortened or lengthened to order

**Lubrication Fittings:** Standard on 2-1/2" and wider wheels

**Bores:** Sizes can be altered

**Keyways:** Can be installed on most sizes



FSR-0830-31

## Applications









Our Forged Steel Wheels can be used in the roughest, most demanding, abusive applications on the poorest floors under the heaviest of loads. RWM industrial Forged Steel Wheels are the only choice when extra heavy duty loads on poor floor conditions need to be moved safely.

## Options

- TG** Thread Guards on 1-1/2" and 2" tread wheels
- WS** Wheel Seals
- ZF** Zerk Fitting
- SI** Spanner Included

# Forged Steel Wheels

## SPECIFICATIONS

 Wheel Diameter	 Wheel Width	 Capacity lbs.	 Axle Diameter	 Straight Roller Bearing	 Tapered Roller Bearing	 Hub Length	 Approx Weight
4"	1-1/2"	1400	1/2"	FSR-0415-08		2-7/16"	3.1
			5/8"	FSR-0415-10			
			3/4"	FSR-0415-12			
5"	2"	1500	1/2"	FSR-0520-08	FST-0520-08	2-7/16"	5.0
			5/8"	FSR-0520-10			
			3/4"	FSR-0520-12			
6"	2"	1800	1/2"	FSR-0620-08	FST-0620-08	2-7/16"	6.3
			5/8"	FSR-0620-10			
			3/4"	FSR-0620-12			
6"	2-1/2"	5000	3/4"	FSR-0625-12	FST-0625-12	3-1/2"	11.2
			1"	FSR-0625-16	FST-0625-16		
6"	3"	7000	3/4"	FSR-0630-12-SI	FST-0630-12	3-1/2"	20.0
			1"	FSR-0630-16-SI	FST-0630-16		
			1-1/4"	FSR-0630-20	FST-0630-20		
		10000	1-1/4"		FST-0630-20-HD		
8"	2-1/2"	4500	3/4"	FSR-0825-12	FST-0825-12	3-1/2"	18.0
			1"	FSR-0825-16			
			1"	FSR-0825-16-SI	FST-0825-16		
			1-1/4"	FSR-0825-20			
8"	3"	5500	3/4"	FSR-0830-12	FST-0830-12	3-1/2"	19.0
			1"	FSR-0830-16			
			1"	FSR-0830-16-SI	FST-0830-16		
			1-1/4"	FSR-0830-20			
		10000	1"		FST-0830-16-HD		
			1-1/4"		FST-0830-20-HD		
8"	4"	10000	1-1/4"	FSR-0840-20		4-1/2"	36.0
			1-1/2"	FSR-0840-24			
			2"	FSR-0840-32			
		20000	1-1/4"		FST-0840-20		
			1-1/2"		FST-0840-24		
10"	3"	6000	3/4"	FSR-1030-12	FST-1030-12	3-1/2"	37.0
			1"	FSR-1030-16			
			1"	FSR-1030-16-SI	FST-1030-16		
			1-1/4"	FSR-1030-20	FST-1030-20		
10"	4"	10000	1-1/4"	FSR-1040-20		4-1/2"	48.0
			1-1/2"	FSR-1040-24			
			2"	FSR-1040-32			
		20000	1-1/4"		FST-1040-20		
			1-1/2"		FST-1040-24		

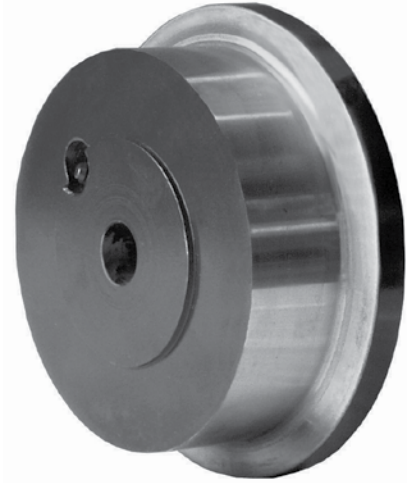
UP TO 20,000 POUND CAPACITY

Note: Add YY for 3" hub length on 2-1/2" tread wheels.



# Machined Steel Flanged Wheels

RWM Casters Machined Steel Flanged Wheels are designed with the most gruesome applications in mind. These industrial track wheels optimize production flow by running on tracks instead of the production floor itself, preventing damage to your floors and aiding in rollability. Capable of handling the largest loads, these wheels are the best solution to move the heaviest of projects and are proudly Made in the USA! RWM's machined steel flanged wheels are induction heat treated for extended service life and long term abuse.



FFP-0520-10-S

## Features

**Temperature Range:** -50° to +800°F

**Finish:** Painted

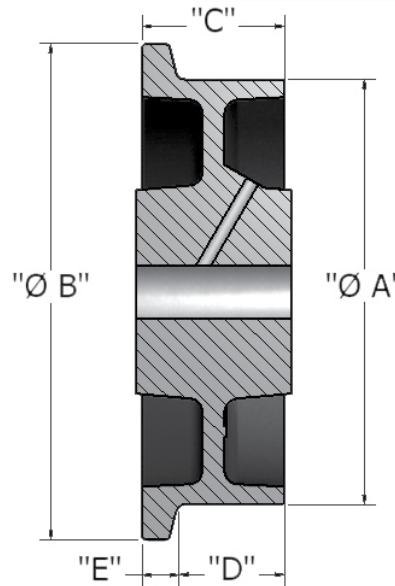
**Bores:** Special sizes available upon request

**Keywords:** Can be installed on most sizes

**SINGLE FLANGE:** "S" after bearing #

**DUAL FLANGE:** "D" after bearing #

**HUB LENGTH:** includes spanner & roller bearings installed



## Options

**WS** Wheel Seals

CONTACT RWM FOR MORE OPTIONS.  
SPECIAL BORES AND SIZES AVAILABLE.

## DUAL FLANGE SPECIFICATIONS

Wheel Diameter A	Flanged Diameter B	Wheel Width C	Tread Face D	Flange E	Capacity lbs.	Axle Diameter	Straight Roller Bearing	Tapered Roller Bearing	Hub Length	Approx Weight lbs.
6"	7"	3"	2"	1/2"	10000	3/4"	FFR-0630-12-D	FFT-0630-12-D	3-9/16"	18
						1"	FFR-0630-16-D	FFT-0630-16-D		
						1-1/4"	FFR-0630-20-D	FFT-0630-20-D		
						1-1/2"	FFR-0630-24-D	FFT-0630-24-D		
8"	9"	3"	2"	1/2"	12000	3/4"	FFR-0830-12-D	FFT-0830-12-D	3-9/16"	21
						1"	FFR-0830-16-D	FFT-0830-16-D		
						1-1/4"	FFR-0830-20-D	FFT-0830-20-D		
						1-1/2"	FFR-0830-24-D	FFT-0830-24-D		
8"	10"	4"	2-1/2"	3/4"	20000	1"	FFR-0840-16-D	FFT-0840-16-D	4-9/16"	33
						1-1/4"	FFR-0840-20-D	FFT-0840-20-D		
						1-1/2"	FFR-0840-24-D	FFT-0840-24-D		
10"	12"	3"	2"	1/2"	15000	3/4"	FFR-1030-12-D	FFT-1030-12-D	3-9/16"	30
						1"	FFR-1030-16-D	FFT-1030-16-D		
						1-1/4"	FFR-1030-20-D	FFT-1030-20-D		
						1-1/2"	FFR-1030-24-D	FFT-1030-24-D		
10"	12"	4"	2-1/2"	3/4"	20000	1"	FFR-1040-16-D	FFT-1040-16-D	4-9/16"	42
						1-1/4"	FFR-1040-20-D	FFT-1040-20-D		
						1-1/2"	FFR-1040-24-D			

UP TO 20,000 POUND CAPACITY

## SINGLE FLANGE SPECIFICATIONS

Wheel Diameter A	Flanged Diameter B	Wheel Width C	Tread Face D	Flange E	Capacity lbs.	Axle Diameter	Straight Roller Bearing	Tapered Roller Bearing	Plain Bearing	Hub Length	Approx Weight lbs.
5"	6"	2"	1-1/2"	1/2"	3000	1/2"	FFR-0520-08-S	FFT-0520-08-S	FFP-0520-08-S	2-7/16"	8
						5/8"	FFR-0520-10-S	FFT-0520-10-S	FFP-0520-10-S		
					5000	3/4"	FFR-0520-12-S	FFT-0520-12-S	FFP-0520-12-S		
						1"	FFR-0520-16-S	FFT-0520-16-S			
					1-1/4"	FFR-0520-20-S	FFT-0520-20-S				
6"	7"	2"	1-1/2"	1/2"	4000	1/2"	FFR-0620-08-S	FFT-0620-08-S	FFP-0620-08-S	2-7/16"	10
						5/8"	FFR-0620-10-S	FFT-0620-10-S	FFP-0620-10-S		
					8000	3/4"	FFR-0620-12-S	FFT-0620-12-S	FFP-0620-12-S		
						1"	FFR-0620-16-S	FFT-0620-16-S			
					1-1/4"	FFR-0620-20-S	FFT-0620-20-S				
6"	7"	3"	2-1/4"	3/4"	10000	3/4"	FFR-0630-12-S	FFT-0630-12-S		3-9/16"	16
						1"	FFR-0630-16-S	FFT-0630-16-S			
						1-1/4"	FFR-0630-20-S	FFT-0630-20-S			
						1-1/2"	FFR-0630-24-S	FFT-0630-24-S			
8"	9"	3"	2-1/4"	3/4"	12000	3/4"	FFR-0830-12-S	FFT-0830-12-S		3-9/16"	19
						1"	FFR-0830-16-S	FFT-0830-16-S			
						1-1/4"	FFR-0830-20-S	FFT-0830-20-S			
						1-1/2"	FFR-0830-24-S	FFT-0830-24-S			
8"	10"	4"	3"	1"	20000	1"	FFR-0840-16-S	FFT-0840-16-S		4-9/16"	31
						1-1/4"	FFR-0840-20-S	FFT-0840-20-S			
						1-1/2"	FFR-0840-24-S	FFT-0840-24-S			
10"	12"	3"	2-1/4"	3/4"	15000	3/4"	FFR-1030-12-S	FFT-1030-12-S		3-9/16"	27
						1"	FFR-1030-16-S	FFT-1030-16-S			
						1-1/4"	FFR-1030-20-S	FFT-1030-20-S			
						1-1/2"	FFR-1030-24-S	FFT-1030-24-S			
10"	12"	4"	3"	1"	20000	1"	FFR-1040-16-S	FFT-1040-16-S		4-9/16"	39
						1-1/4"	FFR-1040-20-S	FFT-1040-20-S			
						1-1/2"	FFR-1040-24-S	FFT-1040-24-S			

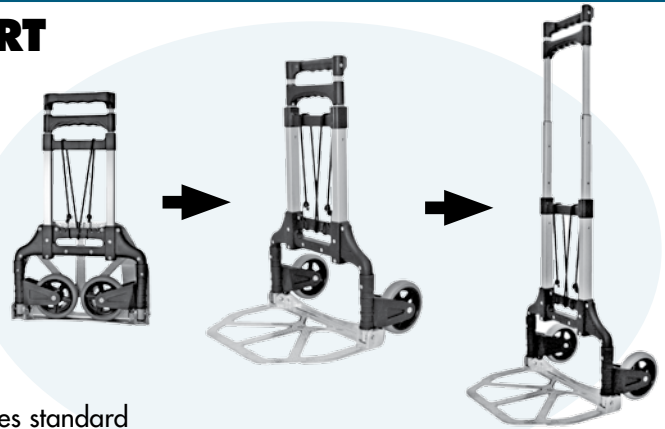
UP TO 20,000 POUND CAPACITY

## MINI HANDI CART

FW-90S

### FEATURES

<b>Capacity</b>	130 lbs.
<b>Weight</b>	9 lbs.
<b>Wheels</b>	4" non-marking
<b>Toe Plate</b>	10" deep
<b>Unfolded</b>	39"H x 14.5"W x 16"L
<b>Collapsed</b>	24"H x 14.5"W x 1.5"L
<b>Handle</b>	Two adjustable heights: 35" & 39"



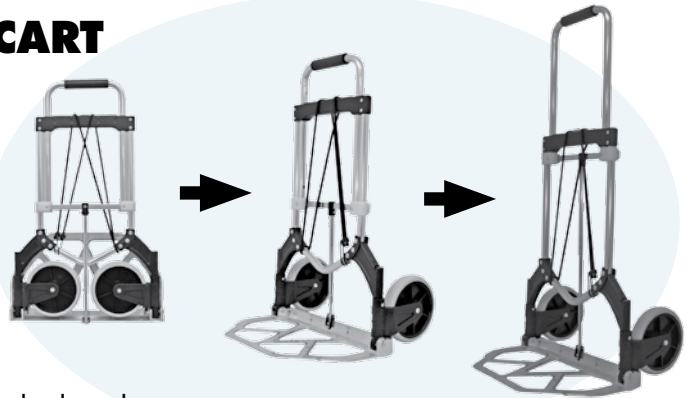
The Mini Handi Cart has three vertical handle positions and comes standard with a bungee cord. The wheels and baseplate fold flat for easy storage.

## LARGE HANDI CART

FW-90B

### FEATURES

<b>Capacity</b>	200 lbs.
<b>Weight</b>	13 lbs.
<b>Wheels</b>	6" non-marking
<b>Toe Plate</b>	9.75" deep
<b>Unfolded</b>	38"H x 18.5"W x 17"L
<b>Collapsed</b>	28"H x 18.5"W x 2"L
<b>Handle</b>	Extended height: 38"



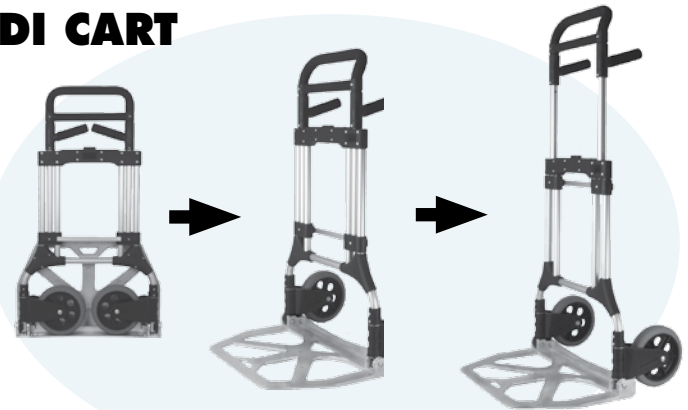
The Large Handi Cart handle will raise and lower easily, and the wheels and baseplate collapse flat for easy storage. It comes standard with a bungee cord.

## EXTRA LARGE HANDI CART

FW-90L

### FEATURES

<b>Capacity</b>	440 lbs.
<b>Weight</b>	26 lbs.
<b>Wheels</b>	8" non-marking
<b>Toe Plate</b>	15" deep, 23" wide
<b>Unfolded</b>	50"H x 23.5"W x 22.25"L
<b>Collapsed</b>	35"H x 23.5"W x 3.5"L
<b>Handle</b>	Extended height: 40" & 50"



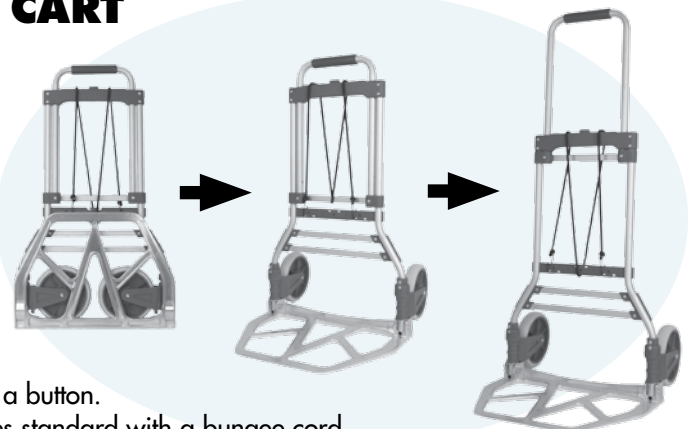
The Extra Large Handi Cart folds easily with a push of a button. Two comfortable hand positions with a single flow back handle and two pistol grip handles that fold in when not in use.

## BLUE MAXI HANDI CART

FW-90C

### FEATURES

<b>Capacity</b>	275 lbs.
<b>Weight</b>	11.5 lbs.
<b>Wheels</b>	7" non-marking
<b>Toe Plate</b>	13.25" deep x 19" wide
<b>Unfolded</b>	42.5"H x 19"W x 13.5"L
<b>Collapsed</b>	31"H x 18.5"W x 2.5"L
<b>Handle</b>	Extended height: 38"



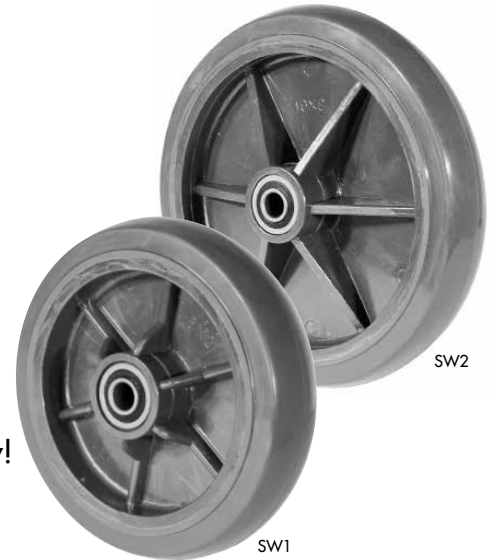
The Blue Maxi Handi Cart folds flat in seconds with the push of a button. The wheels and baseplate collapse flat for easy storage. It comes standard with a bungee cord.

UP TO 440 POUND CAPACITY

RWM is changing the hand truck industry with our Signature™ Premium Hand Truck Wheels!

These incredible wheels provide:

- Lightweight, ergonomic design
- Non-marking, elastomeric high tensile strength rubber tread
- Strong, lightweight, reinforced nylon hub
- Durable nylon core is six times stronger than polypropylene
- Sealed ball bearings
- Cut, tear and corrosion resistant
- Higher capacity than any other hand truck wheel in the industry!  
8" wheel = 600 lb. capacity, 10" wheel = 800 lb. capacity



RWM's SlimLine Truck™ offers the same strength and durability for narrow aisle use!

- This truck is designed for optimal beverage handling.
- Slim, lean and specifically designed to navigate narrow corners, stairways and aisles with ease.
- Available with a large variety of standard frames and handles
- The SlimLine Truck™ is available with the CA0, EA1, EA3 and EA5 nose plates.
- To order the SlimLine Truck™, choose your components and add "SL" at the end of the model number, i.e. F1-DGV-CA0-SW1-S0-SL.



F1-DGV-CA0-FN2-S0-SL

UP TO 800 POUND CAPACITY

## Build a Custom Hand Truck

Please order the trucks in this order:  
 Frame, Handle, Nose Plate, Wheels, Stair  
 Glides, Nose Extension, Frame Extension,  
 Accessory Bag, Logo Strips.  
 Example: F1-SLV-EA1-SW1-S1-E2



F1-DGV-CA0-FN2-S0-SL



F1-DGV-EA1-FN2-B1



F1-VLP-CA1-FN2-S1-N1

- 500 pound capacity
- Stress resistant frames with maximum shock absorption and durability
- Ergonomic design reduces operator strain

### FRAMES

Model	Description	Model	Description
<b>F1</b>	<b>Standard Fixed Frame</b> A stress resistant, straight frame for general use offers maximum shock absorption and durability.	<b>F4</b>	<b>Curved Fixed Frame</b> A curved frame to transport cylinders, bottled water and kegs with solid molded curved crossbars for superior strength and safety. Cylinders nest into the frame.
<b>F2</b>	<b>Standard Fixed Frame with Aluminum Center Strap</b> A stress resistant, straight frame with mounted vertical strap offers easy transport of smaller items.	<b>F5</b>	<b>Curved Fixed Frame with Straight Top Crossbar</b> A curved fixed frame with a straight top cross-bar for transporting cases on top of cylinders.
<b>F3</b>	<b>Standard Fixed Frame with Solid Aluminum Deck</b> Standard frame allows transport of smaller and odd shaped items.		

### HANDLES

Model	Description	Model	Description
<b>DGV</b>	<b>Dual Grip Vinyl</b> The dual grip handle comes with an E4 (44") channel extension when buying a complete truck. The total hand truck height with this handle is 48".	<b>VLP</b>	<b>Vertical Loop Plain</b> The vertical loop handle provides easy maneuverability. The total hand truck height with this handle is 53".
<b>SLP</b>	<b>Single Loop Plain</b> The single loop handle is made of smooth aluminum for easy handling. The total hand truck height with this handle is 50".	<b>VLC</b>	<b>Vertical Loop for Curved Frame</b> The vertical loop handle for the curved frame provides easy maneuverability. The total hand truck height with this handle is 53".
<b>SLV</b>	<b>Single Loop with Vinyl Sleeve</b> The loop handle with vinyl sleeve provides an easy to grip cushioned handle. The total hand truck height with this handle is 50".	<b>DL1</b>	<b>55" Dual Loop Handle</b> The dual loop handle provides extra support for taller loads. The dual loop also provides added safety.
<b>PLT</b>	<b>Pin Handle with Top Grip</b> The easy to use loop handle has a welded pin grip at the top. The total hand truck height with this handle is 52".	<b>DL2</b>	<b>60" Dual Loop Handle</b> The dual loop handle provides extra support for taller loads. The dual loop also provides added safety.
<b>PLC</b>	<b>Pin Handle with Center Grip</b> The loop handle with cross brace and welded pin grip for easy one-hand toting. The total hand truck height with this handle is 55".		

### NOSE PLATES

Model	Description	Model	Description
<b>CA0</b>	<b>Cast Aluminum</b> Cast aluminum nose plate is 13" wide x 7.5" deep, with a recessed heel. This plate is for the SlimLine Truck™ only.	<b>EA2</b>	<b>Extruded Aluminum</b> Industrial strength nose plate is 18" wide x 7.5" deep. This plate mounts behind the frame and has cut outs for wheels.
<b>CA1</b>	<b>Cast Aluminum</b> Cast aluminum nose plate is 14" wide x 7.5" deep, with a recessed heel.	<b>EA3</b>	<b>Extruded Aluminum</b> Industrial strength nose plate is 14" wide x 9" deep. This plate mounts on the front of the truck frame. Nose extension will not mount on this plate.
<b>CA2</b>	<b>Cast Aluminum</b> Cast aluminum nose plate is 18" wide x 7.5" deep, with a recessed heel.	<b>EA4</b>	<b>Extruded Aluminum</b> Industrial strength nose plate is 14" wide x 7.5" deep. This plate mounts behind the frame and has cut outs for wheels.
<b>EA1</b>	<b>Extruded Aluminum</b> Industrial strength nose plate is 18" wide x 9" deep. This plate mounts on the front of the truck frame. Nose extension will not mount on this plate.	<b>EA5</b>	<b>Extruded Aluminum</b> Industrial strength nose plate is 16" wide x 12" deep. This plate mounts to the front of the truck frame. Nose extension will not mount on this plate.

UP TO 500 POUND CAPACITY

# Fixed Hand Trucks

## WHEELS - All are offset hubs

Model	Description	Model	Description
<b>FN2</b>	<b>Full Pneumatic 4-ply 10"</b> A great general-purpose wheel with a 4 ply, 2-piece offset hub, zerk fitting and ball bearings. Capacity is 350 lbs. per wheel.* Weighs 4.50 lbs.	<b>SN1</b>	<b>Solid Rubber 10"</b> Solid rubber tire on a rugged polypropylene hub. Puncture proof and flat free. Easy rolling maintenance free tire with ball bearings. Provides shock absorption and long life. Environmentally Friendly (tires and hubs are made from recycled materials.) MADE IN USA. Capacity: 500 lbs per wheel. Weights: 4.90 lbs
<b>SW1</b>	<b>Signature Wheel 8"</b> A lightweight, strong offset nylon core with high strength non-marking elastomeric rubber tread. The round tread provides easy rolling. This wheel comes with sealed ball bearings. Capacity is 600 lbs. per wheel.* Weighs 2.30 lbs.	<b>SN2</b>	<b>Solid Rubber 8"</b> Solid rubber tire on a rugged polypropylene hub. Puncture proof and flat free. Easy rolling maintenance free tire with ball bearings. Provides shock absorption and long life. Environmentally Friendly (tires and hubs are made from recycled materials.) MADE IN USA. Capacity: 440 lbs per wheel. Weights 3.5 lbs
<b>SW2</b>	<b>Signature Wheel 10"</b> Wheel is the same as SW1 but has a capacity of 800 lbs.* per wheel and weighs 3 lbs.	<b>SF1</b>	<b>Solid Foam Maintenance Free 10"</b> The solid foam tire with sealed ball bearings performs like a pneumatic and never goes flat. Capacity is 300 lbs. per wheel.* Weighs 4.3 lbs.

## STAIR GLIDES

Model	Description	Model	Description
<b>SO</b>	<b>SlimLine Truck™ Stair Glides</b> Narrow aisle stair glides (pair), includes additional cross bar. Not available with curved fixed frames (F4, F5).	<b>S1</b>	<b>Standard Stair Glides</b> The cast aluminum stair glides have low friction acetal skid bars. They are great for easy moving on stairs and over curbs. Stair glides fit trucks with 8" or 10" wheels.

## NOSE EXTENSIONS

Model	Description	Model	Description
<b>N1</b>	<b>20" Channel Nose Extension</b> The folding nose extruded aluminum channel extension is 20" in length and has a 300 lb. capacity. Will not mount on EA1, EA3 or EA5 nose plates.	<b>N2</b>	<b>30" Channel Nose Extension</b> The folding nose extruded aluminum channel extension is 30" in length and has a 300 lb. capacity. Will not mount on EA1, EA3 or EA5 nose plates.

## FRAME EXTENSIONS

Model	Description	Model	Description
<b>E1</b>	<b>52" Frame Extension</b> Frame extension accommodates taller loads. Total hand truck height will be 52".	<b>E4</b>	<b>44" Frame Extension</b> This frame extension comes standard on the dual grip vinyl (DGV) handle when buying a complete truck.
<b>E2</b>	<b>55" Frame Extension</b> Frame extension accommodates taller loads. Total hand truck height will be 55".	<b>E5</b>	<b>44" Dual Frame Extension</b> Frame extension has a larger channel design to glove with other extensions, allowing two extensions on one truck.
<b>E3</b>	<b>60" Frame Extension</b> Frame extension accommodates taller loads. Total hand truck height will be 60". This extension will not fit on a PLC handle.	<b>E6 KIT</b>	<b>65" Dual Frame Extension</b> Frame extension with 53" inner strengthening loop.

## ACCESSORY BAGS

Model	Description	Model	Description
<b>BS</b>	<b>Small Accessory Bag</b> Bag conveniently carries clipboards, scanners, tools, vending and cleaning supplies. 8"W x 15"L overall with 1 pocket 13"L x 8"W x 2"D, 1 tool pocket 4.5"D x 4"W and 2 pencil/pen pockets.	<b>BL</b>	<b>Large Accessory Bag</b> Bag conveniently carries clipboards, scanners, tools, vending and cleaning supplies. 12"W x 14"L overall with 1 pocket 11"L x 8"W x 6"D.

## LOGO STRIPS

Model	Description
<b>Contact RWM</b>	<b>Personalized Logo Strips</b> Personalized logo strips can be added to the sides of the hand truck. Durable plastic strips promote company and help prevent theft.

\*Wheel capacity ratings do not reflect hand truck ratings. Maximum hauling weight for hand truck frame and nose plate is 500 lbs.

UP TO 500 POUND CAPACITY



## Build a Custom Hand Truck

Please order the trucks in this order:  
 Frame, Nose Plate, Wheels,  
 Stair Glides (available on large convertibles only),  
 Nose Extensions, Logo Strips.  
 Example: HC1-CA2-SF1-S1-N2-B3(2)

- 500 pound capacity as a hand truck
- 1,000 pound capacity as a platform truck
- 2-in-1 hand truck easily converts from a hand truck to a platform truck
- Easy release mechanism operates smoothly and quickly
- Strong, light-weight frames
- Extremely durable and long lasting

### FRAMES

Model	Description	Model	Description
<b>HC1</b>	<b>Large Convertible Standard Frame</b> Frame consists of strong, lightweight aluminum construction. The total hand truck height is 61", platform handle height is 45.5", platform bed length is 51", platform bed height from floor is 10.5", and the overall length converted is 55.75", frame width is 12".	<b>HC4</b>	<b>Small Convertible Standard Frame</b> Frame consists of strong, lightweight aluminum construction. The total hand truck height is 51", platform handle height is 40", platform bed length is 38", platform bed height from floor is 10.5", and the overall length converted is 47.5", frame width is 12".
<b>HC2</b>	<b>Large Convertible Frame with Aluminum Center Strap</b> Stress resistant, straight lattice back frame with mounted vertical strap provides easy transport of smaller items. The dimensions are the same as the HC1.	<b>HC5</b>	<b>Small Convertible Frame with Aluminum Center Strap</b> Stress resistant, straight lattice back frame with mounted vertical strap provides easy transport of smaller items. The dimensions are the same as the HC4.
<b>HC3</b>	<b>Large Convertible Frame with Solid Aluminum Deck</b> Heavy gauge aluminum sheet is permanently affixed to the truck to allow transport of smaller and odd shaped items. The dimensions are the same as the HC1.	<b>HC6</b>	<b>Small Convertible Frame with Solid Aluminum Deck</b> Heavy gauge aluminum sheet is permanently affixed to the truck to allow transport of smaller and odd shaped items. The dimensions are the same as the HC4.

### NOSE PLATES

Model	Description	Model	Description
<b>CA1</b>	<b>Cast Aluminum</b> Cast aluminum nose plate is 14" wide x 7.5" deep, with a recessed heel.	<b>EA3</b>	<b>Extruded Aluminum</b> Industrial strength nose plate is 14" wide x 9" deep. This plate mounts on the front of the truck frame.
<b>CA2</b>	<b>Cast Aluminum</b> Cast aluminum nose plate is 18" wide x 7.5" deep, with a recessed heel.	<b>EA4</b>	<b>Extruded Aluminum</b> Industrial strength nose plate is 14" wide x 7.5" deep. This plate mounts behind the frame and has cut outs for wheels.
<b>EA1</b>	<b>Extruded Aluminum</b> Industrial strength nose plate is 18" wide x 9" deep. This plate mounts on the front of the truck frame.	<b>EA5</b>	<b>Extruded Aluminum</b> Industrial strength nose plate is 16" wide x 12" deep. This plate mounts to the front of the truck frame.
<b>EA2</b>	<b>Extruded Aluminum</b> Industrial strength nose plate is 18" wide x 7.5" deep. This plate mounts behind the frame and has cut outs for wheels.		

UP TO 1,000 POUND CAPACITY

# Convertible Hand Trucks

## WHEELS

Model	Description	Model	Description
<b>FN2</b>	<b>Full Pneumatic 4-ply 10"</b> A great general-purpose wheel with a 4 ply, 2-piece hub, zerk fitting, and ball bearings. Capacity is 350 lbs. per wheel.* Weighs 4.50 lbs.	<b>SN1</b>	<b>Solid Rubber 10"</b> Solid rubber tire on a rugged polypropylene hub. Puncture proof and flat free. Easy rolling maintenance free tire with ball bearings. Provides shock absorption and long life. Environmentally Friendly (tires and hubs are made from recycled materials.) MADE IN USA. Capacity: 500 lbs per wheel. Weighs: 4.90 lbs
<b>SW2</b>	<b>Signature Wheel 10"</b> A lightweight, strong offset nylon core with high strength non-marking elastomeric rubber tread. The round tread provides easy rolling. This wheel comes with sealed ball bearings. Capacity is 800 lbs. per wheel.* Weighs 3 lbs.	<b>SF1</b>	<b>Solid Foam Maintenance Free 10"</b> The solid foam tire with sealed ball bearings performs like a pneumatic and never goes flat. Capacity is 300 lbs. per wheel.* Weighs 4.3 lbs.

## STAIR GLIDES

Model	Description
<b>S1</b>	<b>Standard Stair Glides</b> The cast aluminum stair glides have low-friction acetal skid bars. They are great for easy moving on stairs and over curbs. Available on large convertibles only.

## NOSE EXTENSIONS

Model	Description	Model	Description
<b>N1</b>	<b>20" Channel Nose Extension</b> The folding nose extruded aluminum channel extension is 20" in length and has a 300 lb. capacity. Will not mount on EA1, EA3 or EA5 nose plates.	<b>N2</b>	<b>30" Channel Nose Extension</b> The folding nose extruded aluminum channel extension is 30" in length and has a 300 lb. capacity. Will not mount on EA1, EA3 or EA5 nose plates.

## BRAKES

Model	Description	Model	Description
<b>B2(1)</b>	<b>WB Wheel Brake</b> The WB side wheel brake is for the convertible caster. (One brake will be attached to one wheel.)	<b>B3(1)</b>	<b>ICWB Wheel Brake</b> The ICWB face contact brake is for the convertible caster. (One brake will be attached to one wheel.)
<b>B2(2)</b>	<b>WB Wheel Brake</b> The WB side wheel brakes are for convertible casters. (One brake will be attached to each wheel.)	<b>B3(2)</b>	<b>ICWB Wheel Brake</b> The ICWB face contact brakes are for convertible casters. (One brake will be attached to each wheel.)

## LOGO STRIPS

Model	Description
<b>Contact RWM</b>	<b>Personalized Logo Strips</b> Personalized logo strips added to the sides of the hand truck. Durable adhesive plastic strips promote company and help prevent theft.

\*Wheel capacity ratings do not reflect hand truck ratings. Maximum hauling weight for hand truck frame and nose plate is 500 lbs. in the upright position and 1,000 lbs. in the platform position.



UP TO 1,000 POUND CAPACITY



# Hand Truck Replacement Parts

AXLES		FRAME ADD-ONS	
<b>A1</b>	10" Axle (5/8" diameter, 18" long)	<b>AD</b>	Aluminum Deck
<b>A2</b>	8" Axle (5/8" diameter, 16-3/4" long)	<b>AS</b>	Aluminum Strap
BEARINGS		STAIR GLIDES	
<b>BG1</b>	Bearings (SF1)	<b>S1</b>	Standard Stair Glides (pair)
<b>BG2</b>	Bearings (FN2, SW1, SW2)		
BRACKETS		<b>PWS</b>	Plastic Replacement Glides/Wear Strips (pair)
<b>BKT</b>	Standard Wheel Brackets (pair)	SLIMLINE HAND TRUCK PARTS	
CONVERTIBLE PARTS		<b>AO</b>	10" SlimLine Truck™ Axle (5/8" diameter, 15-1/8" long)
<b>CLA</b>	Convertible Lock Assembly	<b>BKTO</b>	SlimLine Truck™ Wheel Brackets (pair)
<b>RC</b>	Replacement Stem Caster (complete assembly of caster and wheel)	<b>SO</b>	SlimLine Truck™ Stair Glides (pair), includes additional crossbar. Not available with curved fixed frames (F4, F5)



Axle



Bracket (BKT)

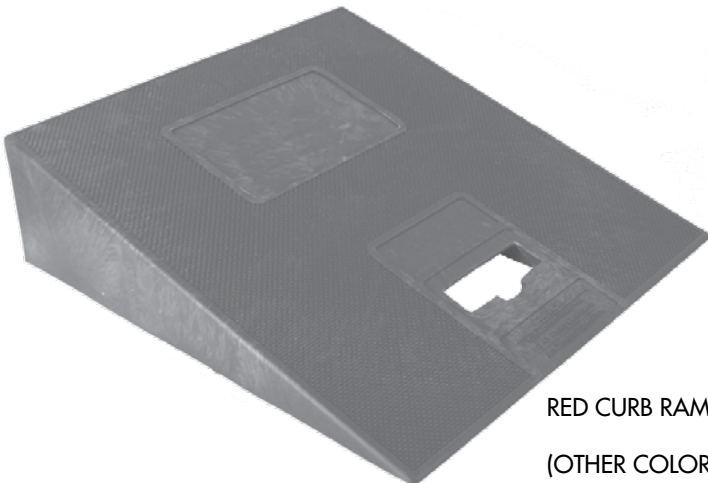
# Hand Truck Curb Ramp

**RAPIDSTOCK**

**Our New Curb Ramp is the perfect solution for product delivery!**

*This co-polymer high impact plastic curb ramp can withstand the impact of up to 650 lbs.*

- Incredibly strong and durable
- Diamond tread non-skid surface keeps ramp in place
- Hangs on most hand trucks
- Helps prevent lower back injuries
- Lower workers compensation claims
- 21.5" wide x 23.5" long x 6" high, weighs 7 lbs.
- Increased driver satisfaction (the average beverage delivery person delivers an average of 9750 pounds per day)



RED CURB RAMP

(OTHER COLORS AVAILABLE)



UP TO 650 POUND CAPACITY

## Steel Folding Handle Platform Trucks



PT-SS-L

- Move supplies, files, office equipment, tools, samples or electronics
- Great for airports, delivery personnel, sales people, re-stocking, mailrooms, general office use and computer rooms
- Steers easily with hard rubber casters – two rigid and two swivel
- Vinyl perimeter bumper protects walls, doors and furniture
- Ships partially assembled

	Model #: PT-SS-L	Model #: PT-SS-S
Load Capacity	660 lbs.	330 lbs.
Width	23.3"	18.3"
Length	35.2"	28"
Height	39.4"	32.0"
Weight	44 lbs.	24 lbs.
Wheel Diameter	5"	4"



PT-CA

### Model #: PT-CA

- Move supplies, files, office equipment, tools, samples or electronics
- Steers easily with 4" hard rubber casters – two rigid and two swivel
- Ships fully assembled

Capacity	Width	Length	Height	Weight	Wheel Diameter	Model
330 lbs.	16"	28"	32-1/2"	20 lbs.	4"	PT-CA
RETRACTED	16"	19-1/2"	25-1/2"			

## Folding Handle Aluminum Platform Trucks



PT-FA

### Model #: PT-FA

- Ideal for airports, office personnel, mailrooms, general office use, computer rooms and the general office environment
- Smooth aluminum deck supports 330 lbs.
- Steers easily with 4" hard rubber casters – two rigid and two swivel
- Handle folds away via foot release for easy storage and transportation
- Ergonomic design facilitates loading, unloading, and maneuvering
- Ships fully assembled

Capacity	Width	Length	Height	Weight	Wheel Diameter	Model
330 lbs.	18-1/2"	29-1/2"	32-1/4"	21 lbs.	4"	PT-FA

UP TO 660 POUND CAPACITY

# Titan (BDT) Bulk Delivery Trucks

**RAPIDSTOCK**

**The RWM Titan Bulk Delivery Truck will save time, space and money for all route delivery companies. The Titan offers maximum maneuverability, zero turning radius and carries large loads. Heavy duty aluminum welded construction adds superior strength and durability.**



- Solid integrated deck
- Eliminates picking at the delivery site
- Reduces driver fatigue
- Decreases check-in time
- Less product handling
- Increased accuracy for warehouse picking and pricing
- Reduces storage space
- Aluminum is lighter than similar steel trucks and will not rust



## TITAN BDT



**TITAN BDT**  
Folded Upright Position



**TITAN BDT**  
Standard with Deck



**Superior RWM Casters**  
w/8" diameter non-marking wheels

### TITAN BDT FEATURES

<b>Capacity</b>	1200 lbs.
<b>Size</b>	61" Long x 18" Wide x 63" High
<b>Deck Size</b>	55.5" Long x 18" Wide
<b>Handles</b>	Folds down for easy storage
<b>Casters</b>	Superior RWM casters w/8" diameter non-marking wheels
<b>Shipping Weight</b>	92 lbs.

### OPTIONS

6" Casters
One Removable Handle
Nylon Cover
Rigid Brake
Powder Coated Handles in Black, Blue, Green or Red

UP TO 1,200 POUND CAPACITY

# Titan (BDT) Bulk Delivery Trucks

## PREMIUM TITAN

### PREMIUM TITAN FEATURES

<b>Capacity</b>	1200 lbs.
<b>Size</b>	67.8" Long x 18" Wide x 65" High
<b>Deck Size</b>	59.5" Long x 18" Wide
<b>Handles</b>	Folds down for easy storage
<b>Casters</b>	Superior RWM casters w/8" diameter non-marking wheels
<b>Shipping Weight</b>	109 lbs.

### OPTIONS

- Aluminum Deck
- UHMW Deck Plate
- 6" Casters



**PREMIUM TITAN**  
Folded Upright Position



**PREMIUM TITAN**  
Foot Release Bar

## TITAN



**TITAN**  
Folded Upright Position



**TITAN**  
with Optional UHMW Deck Plate

### TITAN FEATURES

<b>Capacity</b>	1200 lbs.
<b>Size</b>	65.5" Long x 18" Wide x 54.5" High
<b>Deck Size</b>	59.5" Long x 18" Wide
<b>Handles</b>	Removable for easy storage
<b>Casters</b>	Superior RWM casters w/8" diameter non-marking wheels
<b>Shipping Weight</b>	85 lbs.

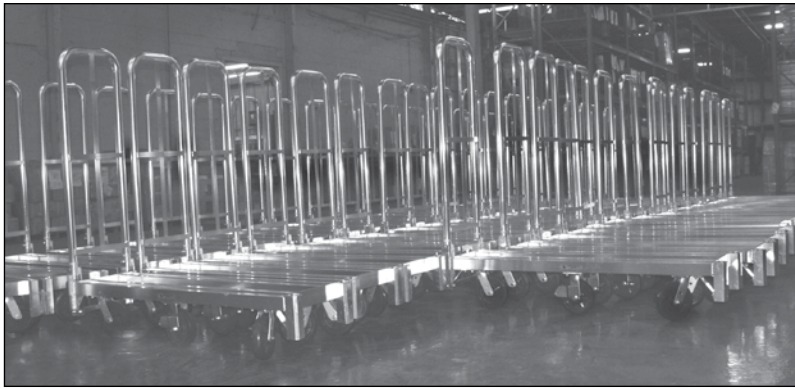
### OPTIONS

- Aluminum Deck
- UHMW Deck Plate
- 6" Casters
- Can be converted to premium version by changing to fold down handles

UP TO 1,200 POUND CAPACITY

# RWM Hand Truck & Titan Production Facility

RWM Casters is committed to providing the highest quality products as seen in our new Titan Bulk Delivery System. We are the industry leader in new product development and our engineers use the latest technology to design the most innovative non-powered material handling products available at competitive pricing and the shortest lead times. Seen below is our Titan and Hand Truck production facility where you can truly see technology in motion.



## RWM Rapidstock Facility

RWM's RAPIDSTOCK™ program offers the largest inventory of caster, wheel and material handling products available in the industry. RAPIDSTOCK™ products are available to ship in 1 to 5 days. Products can easily be ordered by phone or fax. Our RWM RAPIDSTOCK™ facility is shown below. Our dedicated employees are constantly striving to ship your orders accurately and on time.

